

---

# INSTALLATION INSTRUCTIONS

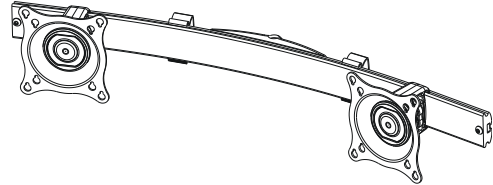
---

## Horizontal Array Pole Clamp

### Model: MSP-STGKTA220

The pole mount pivot array allows horizontal (yaw), vertical (pitch), and roll display adjustment. The pitch adjustment range is 30° (15° up / 15° down). The mount will pivot nearly full circle, depending on the mounting base, and is designed to mount two 17" displays.

The mount accommodates standard VESA® 75mm/100mm compliant displays.



**MSP-STGKTA220**

#### BEFORE YOU BEGIN

---



**CAUTION:** To prevent damage to your display, which could affect or void the Factory warranty, thoroughly study all instructions and illustrations before you begin to install the mount. Pay particular attention to the "Important Warnings and Cautions" on Page 2.



**IMPORTANT WARNINGS AND CAUTIONS!**

**WARNING:** A WARNING alerts you to the possibility of serious injury or death if you do not follow the instructions.

**CAUTION:** A CAUTION alerts you to the possibility of damage or destruction of equipment if you do not follow the corresponding instructions.



**WARNING:** RISK OF ELECTRIC SHOCK ! Using the wrong screws could result in severe personal injury or damage to your display. If your display uses a longer screw size than those included in the kit, DO NOT use the screws provided with the kit. Use the screws provided with your display or contact the manufacturer.



**WARNING:** Improper installation can result in serious personal injury! Make sure that the mounting surface can support a redundant weight factor five times the total weight of the equipment. If not, reinforce the mounting surface structural members before installing the mount.



**WARNING:** Be aware of the potential for personal injury or damage to the unit if it is not adequately mounted.



**WARNING:** The installer is responsible for verifying that the mounting surface to which the KTA is anchored will safely support the combined load of all attached components or other equipment.



**WARNING:** Watch for pinch points. Do not put your fingers between movable parts.



**WARNING:** Make sure the mount is correctly oriented.



**WARNING:** The combined weight of the display(s) installed must not exceed 34 lbs (15.4 kg) the maximum load capacity of the mount.



**CAUTION:** Check the unit for shipping damage before you begin the installation.

**CONTENTS**

IMPORTANT WARNINGS AND CAUTIONS! ..... 2

TOOLS REQUIRED FOR INSTALLATION..... 3

Parts..... 3

INSTALLATION ..... 4

    Display Installation ..... 4

        Attach Centris Head to Flush Mount Display ..... 4

        Attach Centris Head to Recessed Mount Display ..... 5

ADJUSTMENTS ..... 6

    Array Adjustment..... 6

    Display Adjustment..... 6

        Display Horizontal Position Adjustment..... 6

        Display Pitch, Roll, and Yaw Adjustment..... 6

**TOOLS REQUIRED FOR INSTALLATION**

- Phillips screwdriver
- 3/16" Hex Key
- 5/32" Hex Key

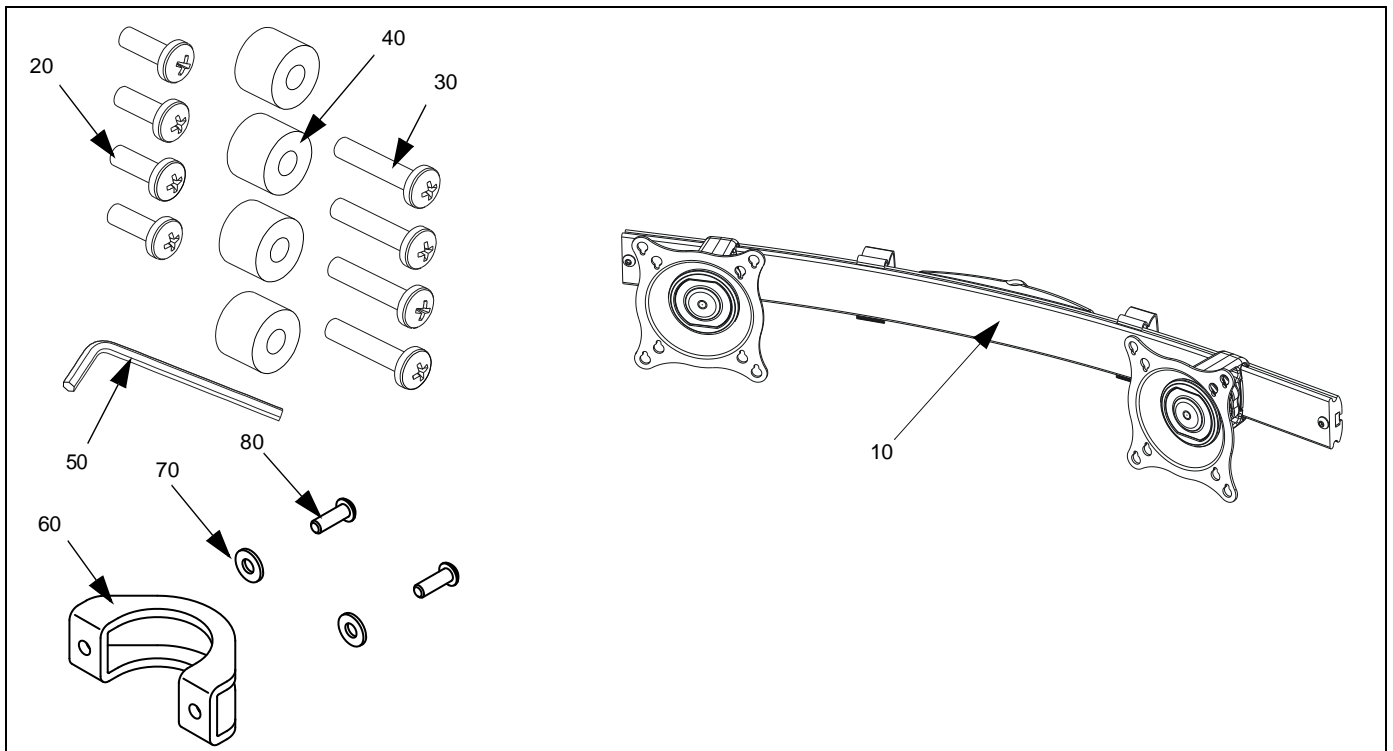
**NOTE:** Other tools may be required depending on your method of installation.

**Parts**

Unpack carton and verify kit contents. Read installation instructions completely. If any listed parts are missing, contact Chief Customer Service at 1-800-582-6480.

**Table 1: Parts**

ITEM	DESCRIPTION	QTY*
10	ARRAY ASSEMBLY	1
20	SCREW, Phillips Pan Head, M4 x 10mm	4
30	SCREW, Phillips Pan Head, M4 x 20mm	4
40	SPACER, Nylon	4
50	KEY, Hex, 5/32"	1
60	CLAMP, Array Mounting, Back	1
70	WASHER, Flat, 1/4"	2
80	SCREW, Button Head Cap, 1/4-20 x 3/4"	2



**Figure 1: PARTS**

## INSTALLATION

1. Assemble pole clamp back (60) to pole mount front using two FW (70) and two BHCS (80) using a 5/32" hex key (50). (See Figure 2)
2. Secure pole mount back to pole mount front and pole by tightening two BHCS (80) using a 5/32" hex key (50).

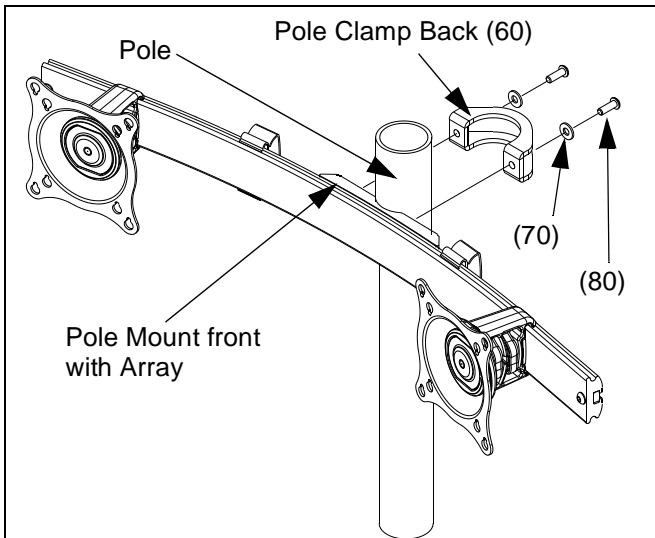


Figure 2: Mount Array on Pole

### Display Installation

#### Attach Centris Head to Flush Mount Display



**CAUTION:** If display uses a screw size other than those included in the kit, DO NOT use the screws provided. Using the wrong screws could result in damage to your monitor.

1. Install two M4 x 10mm Phillips pan head screws (20) into two upper mounting holes in display back. (See Figure 3)

**NOTE:** DO NOT fully tighten at this time.

2. Hang display on Centris head. (See Figure 4)
3. Install bottom two M4 x 10mm Phillips pan head screws (20) through Centris head mounting holes and into lower mounting holes in display back.
4. Tighten four M4 x 10mm Phillips pan head screws (20). (See Figure 5)

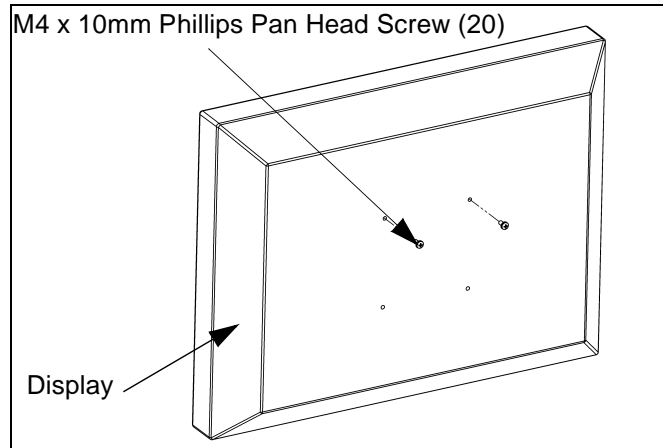


Figure 3: Prepare Display

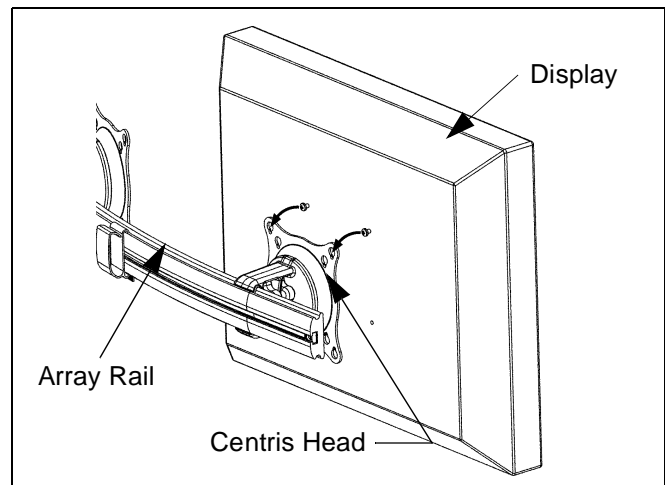


Figure 4: Hang Display

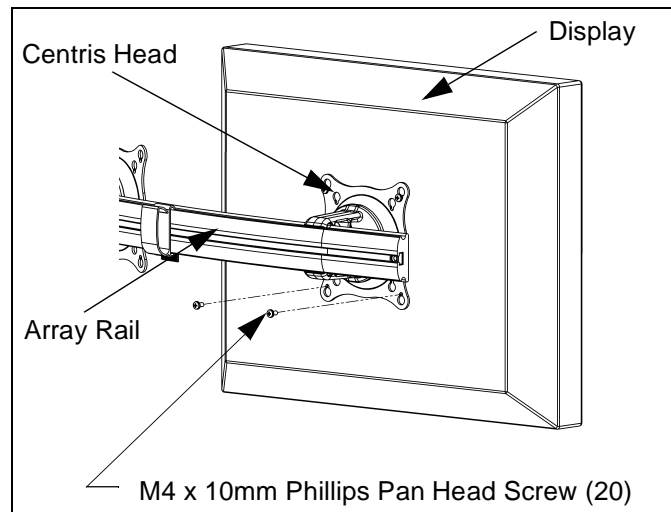


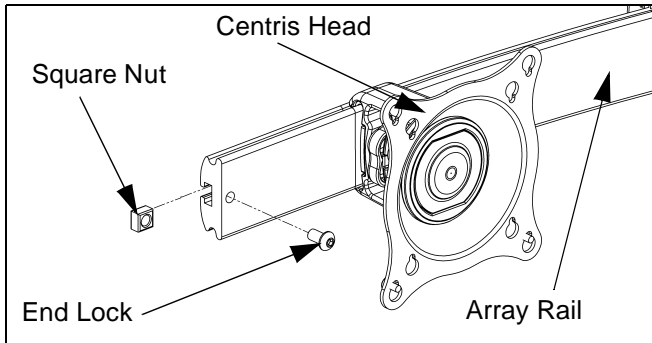
Figure 5: Secure Display to Centris Bracket

**Attach Centris Head to Recessed Mount Display**

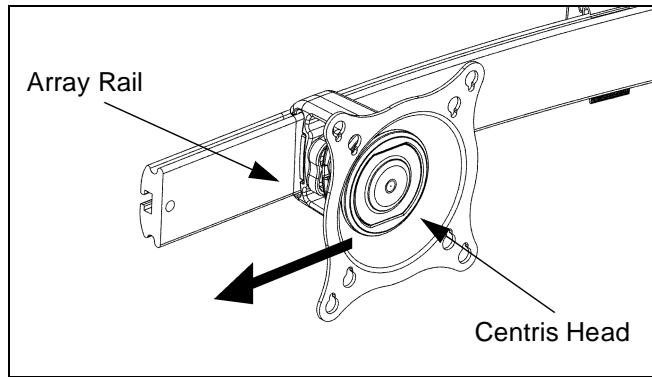


**CAUTION:** If display uses a screw size other than those included in the kit, DO NOT use the screws provided. Using the wrong screws could result in damage to your monitor.

1. Uninstall end lock using the 5/32" hex key (50). (See Figure 6)
2. Remove Centris head from mounting rail. (See Figure 7)



**Figure 6: Remove End Lock(s)**

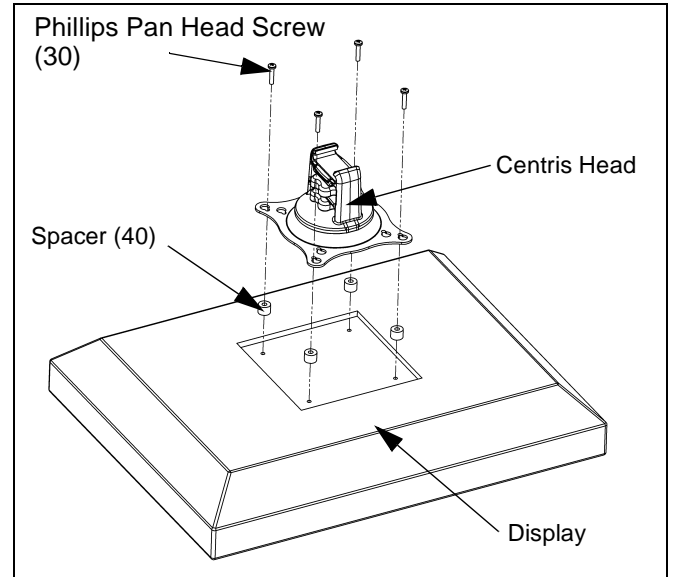


**Figure 7: Slide Centris Bracket off Array Rail**

3. Place display face down on a clean dry surface.
4. Place four nylon spacers (40) over four mounting holes in display back.

**NOTE:** Refer to Table 1 to select the applicable screw and spacer combination.

5. Align Centris head mounting holes with four nylon spacers (40).
6. Secure Centris head to display using four M4 x 20mm Phillips pan head screws (30). (See Figure 8)

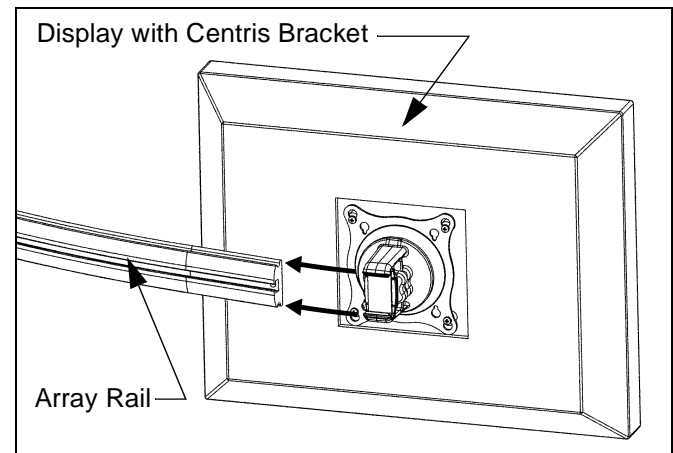


**Figure 8: Mount Centris Bracket to Display**

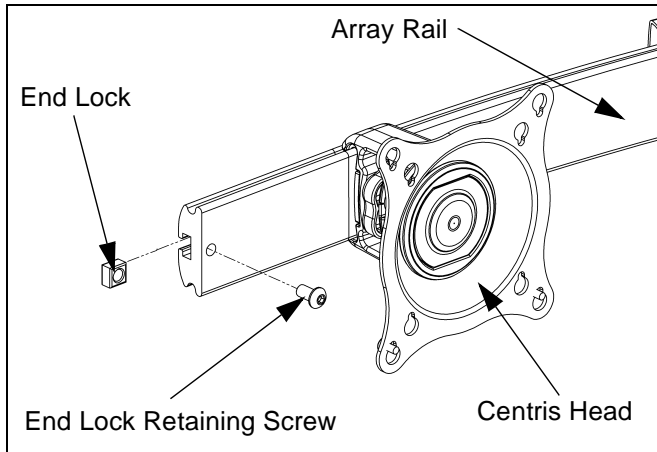
7. Slide display with Centris bracket onto mounting rail. (See Figure 9)

**NOTE:** Repeat previous steps for each additional display.

8. Install end locks into mounting rail using the 5/32" hex key (50). (See Figure 10)



**Figure 9: Mount Display with Centris Bracket to Array Rail**



**Figure 10: Install End Lock(s)**

**ADJUSTMENTS**

**Array Adjustment**

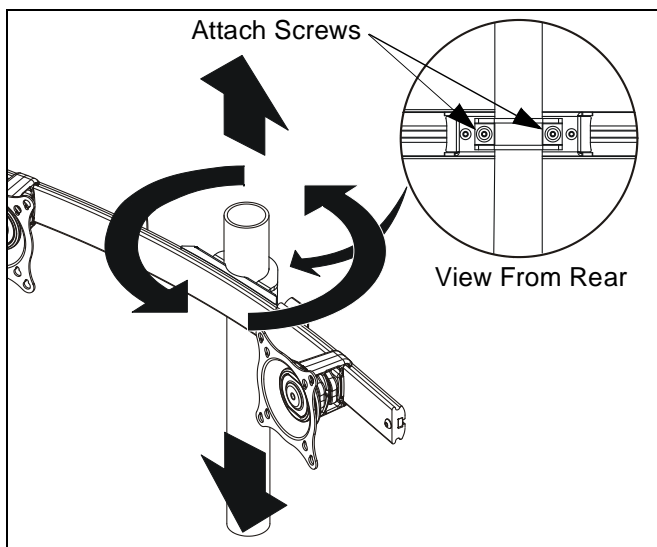
The mount allows for both vertical and horizontal position adjustment on the pole.

To adjust position:

1. Loosen rear clamp attach screws (See Figure 11).
2. Move array to desired position (See Figure 11).
3. Tighten attach screws.



**ALWAYS** use two people when adjusting position.



**Figure 11: Pole Mount Adjustment**

**Display Adjustment**

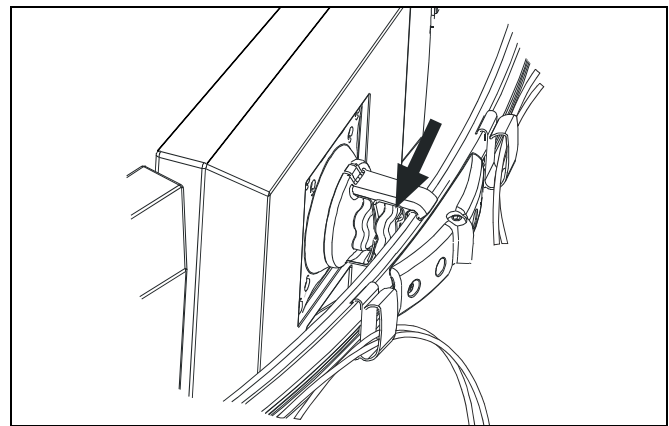
The mount allows horizontal, pitch, roll, and yaw adjustment of each display with a maximum pitch range of 15° up and 15° down.

The mount also allows 360 deg. of display roll.

**Display Horizontal Position Adjustment**

To adjust display horizontal position:

1. Loosen Centris bracket rear adjustment knob. (See Figure 12)
2. Slide Centris bracket with display left or right until properly positioned on array rail.
3. Tighten Centris bracket rear adjustment knob.

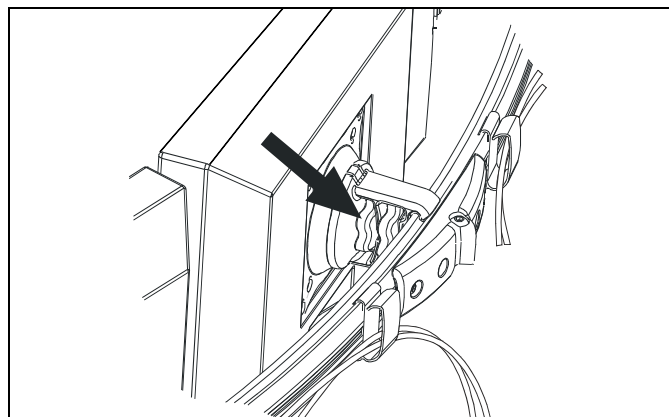


**Figure 12: Display Horizontal Adjustment**

**Display Pitch, Roll, and Yaw Adjustment**

To adjust display position:

1. Loosen Centris bracket front adjustment knob. (See Figure 13)
2. Tilt display up or down, or adjust display roll left or right until properly positioned.
3. Tighten Centris bracket front adjustment knob.



**Figure 13: Display Pitch and Roll Adjustment**