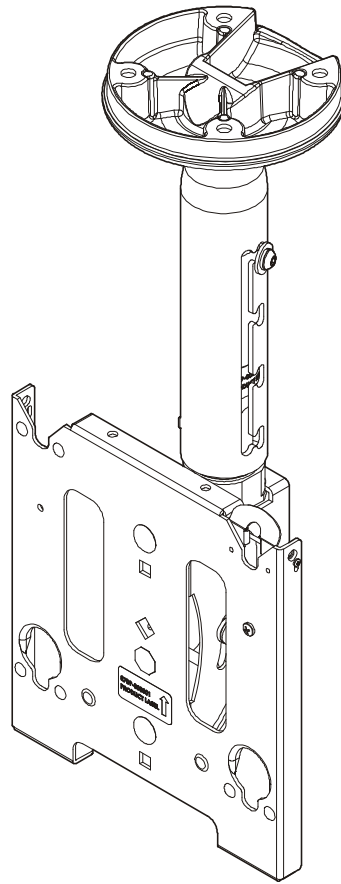


---

# INSTALLATION INSTRUCTIONS

---



---

## All-Weather Flat Panel Ceiling Mount

---

---

***SunBriteTV***<sup>®</sup>

---

**SB-CM46A12**

---

**DISCLAIMER**

SunBriteTV LLC (SBTV) intends to make this manual accurate and complete. However, SBTV makes no claim that the information contained herein covers all details, conditions or variations, nor does it provide for every possible contingency in connection with the installation or use of this product. The information contained in this document is subject to change without notice or obligation of any kind. SBTV makes no representation of warranty, expressed or implied, regarding the information contained herein. SBTV assumes no responsibility for accuracy, completeness or sufficiency of the information contained in this document.

SunBriteTV® is a registered trademark of SunBriteTV LLC. Built to SunBriteTV® specifications by Chief Manufacturing. All rights reserved.

**! IMPORTANT SAFETY INSTRUCTIONS**

**! WARNING:** A WARNING alerts you to the possibility of serious injury or death if you do not follow the instructions.

**! CAUTION:** A CAUTION alerts you to the possibility of damage or destruction of equipment if you do not follow the corresponding instructions.

**! WARNING:** Failure to read, thoroughly understand, and follow all instructions can result in serious personal injury, damage to equipment, or voiding of factory warranty! It is the installer's responsibility to make sure all components are properly assembled and installed using the instructions provided.

**! WARNING:** Failure to provide adequate structural strength for this component can result in serious personal injury or damage to equipment! It is the installer's responsibility to make sure the structure to which this component is attached can support five times the combined weight of all equipment. Reinforce the structure as required before installing the component.

**! WARNING:** Exceeding the weight capacity can result in serious personal injury or damage to equipment! It is the installer's responsibility to make sure the combined weight of all components located between the SB-CM46A12 mount up to (and including) the display does not exceed 125 lbs (56.7 kg).

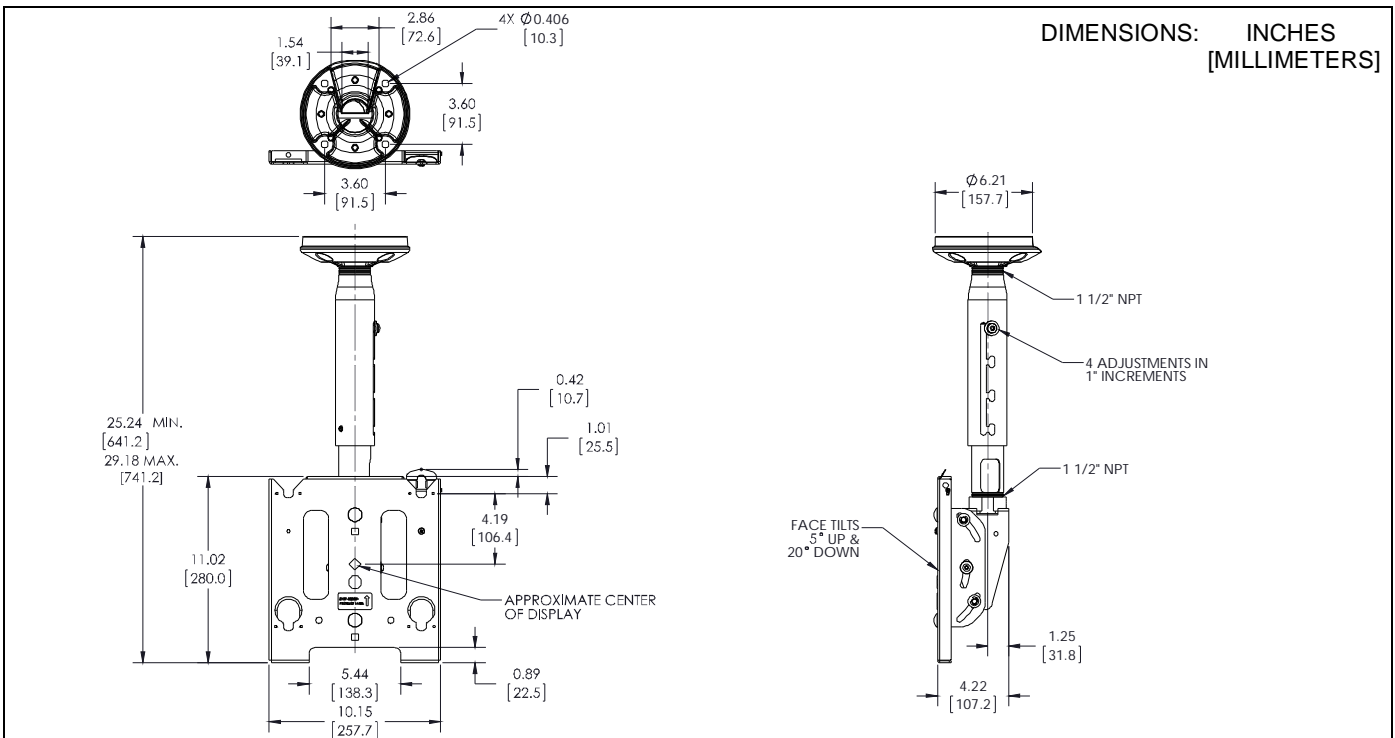
**! WARNING:** Use this mounting system only for its intended use as described in these instructions. Do not use attachments not recommended by the manufacturer.

**! WARNING:** Never operate this mounting system if it is damaged. Return the mounting system to a service center for examination and repair.

**IMPORTANT ! :** The SB-CM46A12 is designed to be mounted to 2" x 4" wood stud joists.

**--SAVE THESE INSTRUCTIONS--**

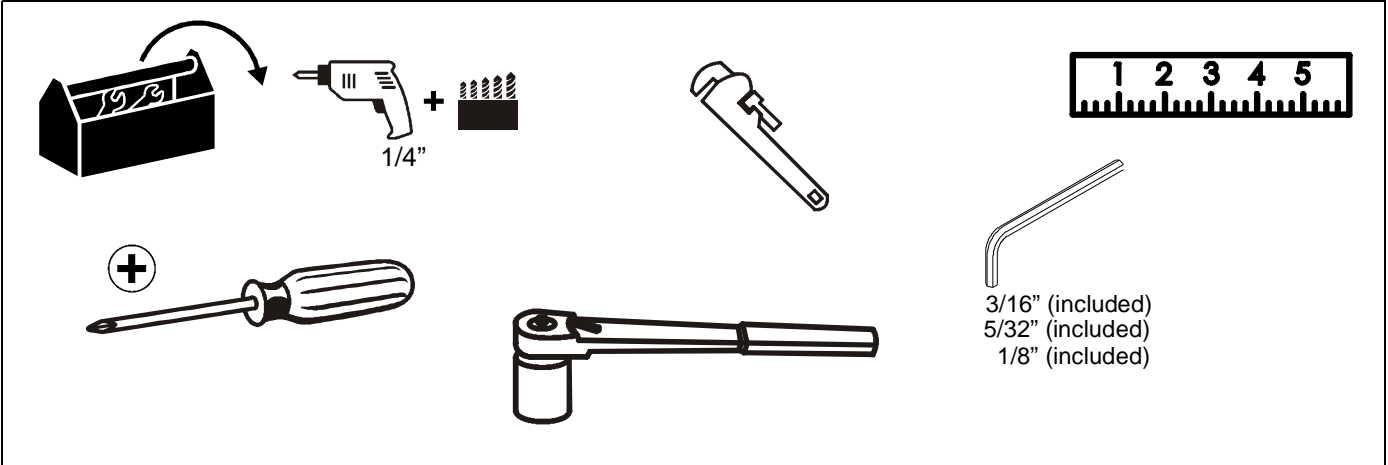
**DIMENSIONS**



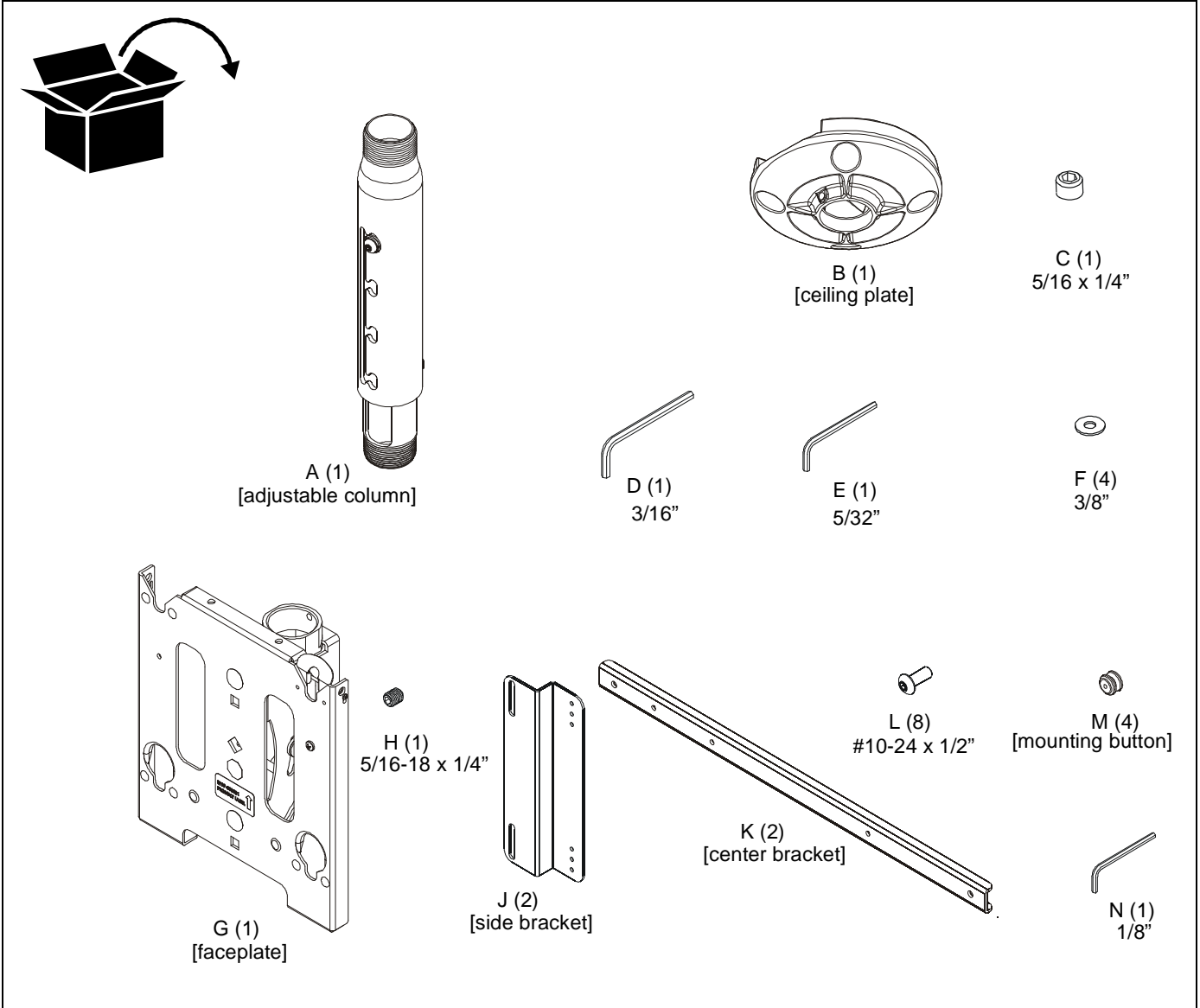
**LEGEND**

	<p><b>Tighten Fastener</b></p> <p>Apretar elemento de fijación</p> <p>Befestigungsteil festziehen</p> <p>Apertar fixador</p> <p>Serrare il fissaggio</p> <p>Bevestiging vastdraaien</p> <p>Serrez les fixations</p>		<p><b>Pencil Mark</b></p> <p>Marcar con lápiz</p> <p>Stiftmarkierung</p> <p>Marcar com lápis</p> <p>Segno a matita</p> <p>Potloodmerkteken</p> <p>Marquage au crayon</p>
	<p><b>Loosen Fastener</b></p> <p>Aflojar elemento de fijación</p> <p>Befestigungsteil lösen</p> <p>Desapertar fixador</p> <p>Allentare il fissaggio</p> <p>Bevestiging losdraaien</p> <p>Desserrez les fixations</p>		<p><b>Drill Hole</b></p> <p>Perforar</p> <p>Bohrloch</p> <p>Fazer furo</p> <p>Praticare un foro</p> <p>Gat boren</p> <p>Percez un trou</p>
	<p><b>Phillips Screwdriver</b></p> <p>Destornillador Phillips</p> <p>Kreuzschlitzschraubendreher</p> <p>Chave de fendas Phillips</p> <p>Cacciavite a stella</p> <p>Kruiskopschroevendraaier</p> <p>Tournevis à pointe cruciforme</p>		<p><b>Adjust</b></p> <p>Ajustar</p> <p>Einstellen</p> <p>Ajustar</p> <p>Regolare</p> <p>Afstellen</p> <p>Ajuster</p>
	<p><b>Open-Ended Wrench</b></p> <p>Llave de boca</p> <p>Gabelschlüssel</p> <p>Chave de bocas</p> <p>Chiave a punte aperte</p> <p>Steeksleutel</p> <p>Clé à fourche</p>		<p><b>Remove</b></p> <p>Quitar</p> <p>Entfernen</p> <p>Remover</p> <p>Rimuovere</p> <p>Verwijderen</p> <p>Retirez</p>
	<p><b>By Hand</b></p> <p>A mano</p> <p>Von Hand</p> <p>Com a mão</p> <p>A mano</p> <p>Met de hand</p> <p>À la main</p>		<p><b>Optional</b></p> <p>Opcional</p> <p>Optional</p> <p>Opcional</p> <p>Opzionale</p> <p>Optie</p> <p>En option</p>
	<p><b>Hex-Head Wrench</b></p> <p>Llave de cabeza hexagonal</p> <p>Sechskantschlüssel</p> <p>Chave de cabeça sextavada</p> <p>Chiave esagonale</p> <p>Zeskantsleutel</p> <p>Clé à tête hexagonale</p>		<p><b>Security Wrench</b></p> <p>Llave de seguridad</p> <p>Sicherheitsschlüssel</p> <p>Chave de segurança</p> <p>Chiave di sicurezza</p> <p>Veiligheidsleutel</p> <p>Clé de sécurité</p>

**TOOLS REQUIRED FOR INSTALLATION**



**PARTS**



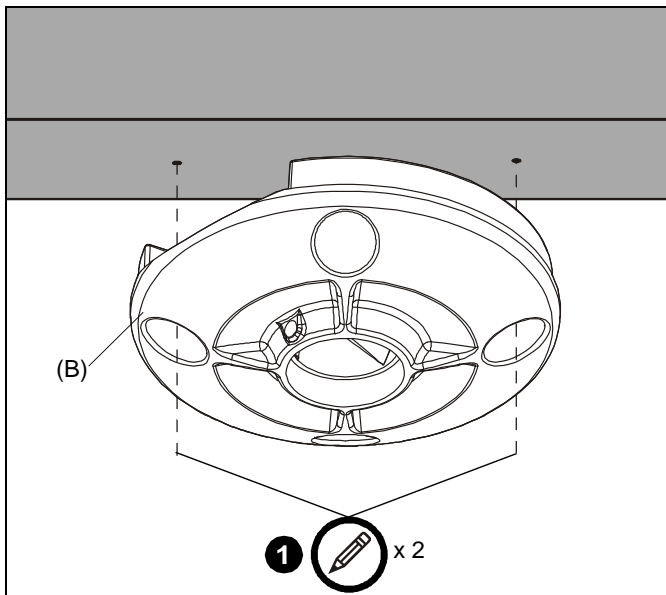
**INSTALLATION**



**WARNING:** Failure to provide adequate structural strength for this component can result in serious personal injury or damage to equipment! It is the installer's responsibility to make sure the structure to which this component is attached can support five times the combined weight of all equipment. Reinforce the structure as required before installing the component.

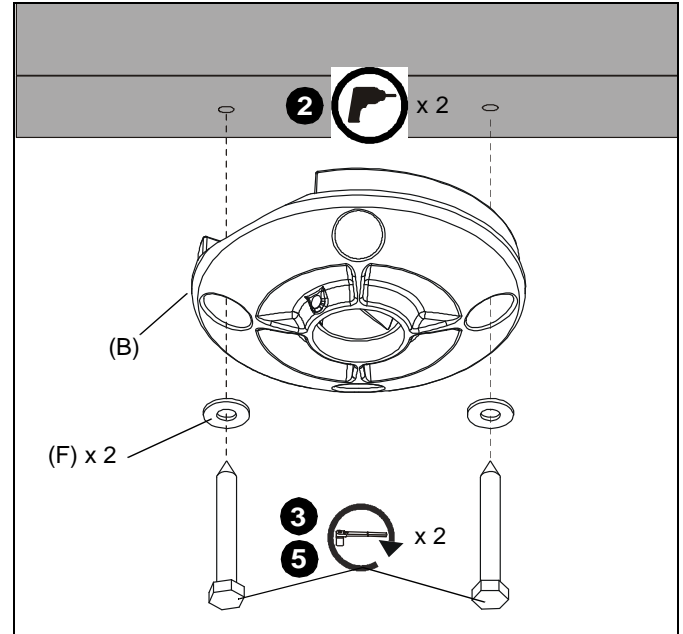
1. Using ceiling plate (B) as a template, mark locations of two pilot holes. (See Figure 1) Ensure the following:
  - Use *OPPOSITE* holes in plate (B), and
  - Marks are in the center of wood joist.

**NOTE:** Drywall not shown for clarity.



**Figure 1**

2. Drill 1/4" diameter pilot holes into wood joist. (See Figure 2) Ensure pilot holes are straight.

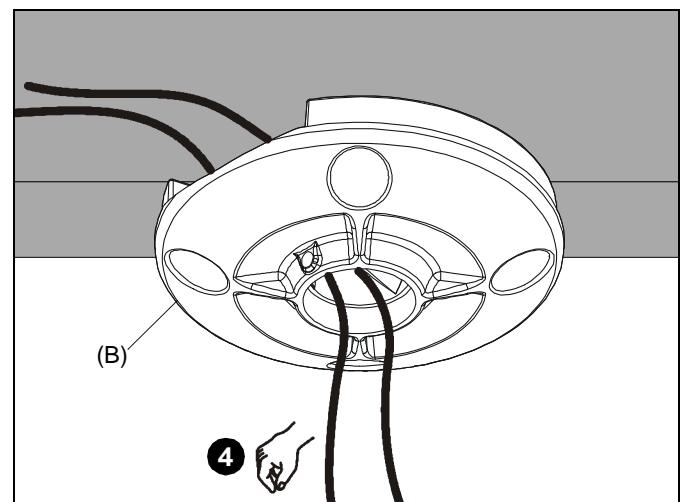


**Figure 2**

3. Using 9/16" socket wrench, loosely install two (minimum) Grade 2 (not included) 3/8" x 2-1/2" lag screws through 3/8" washers (F), ceiling plate (B), into wood joist (See Figure 2). Do not tighten plate (B) against ceiling at this time to accommodate cable installation.

**NOTE:** Two additional washers are provided.

4. Route cables through channel in ceiling plate (B). (See Figure 3)



**Figure 3**

5. Tighten lag screws. (See Figure 2)

### ADJUSTABLE LENGTH EXTENSION COLUMN

1. Install adjustable column (A) into plate. (See Figure 4)  
Securely tighten column.
  - Ensure column (A) engages four full threads into plate.
  - Ensure cable access opening is rotated to desired position (optional installation, column (A)).

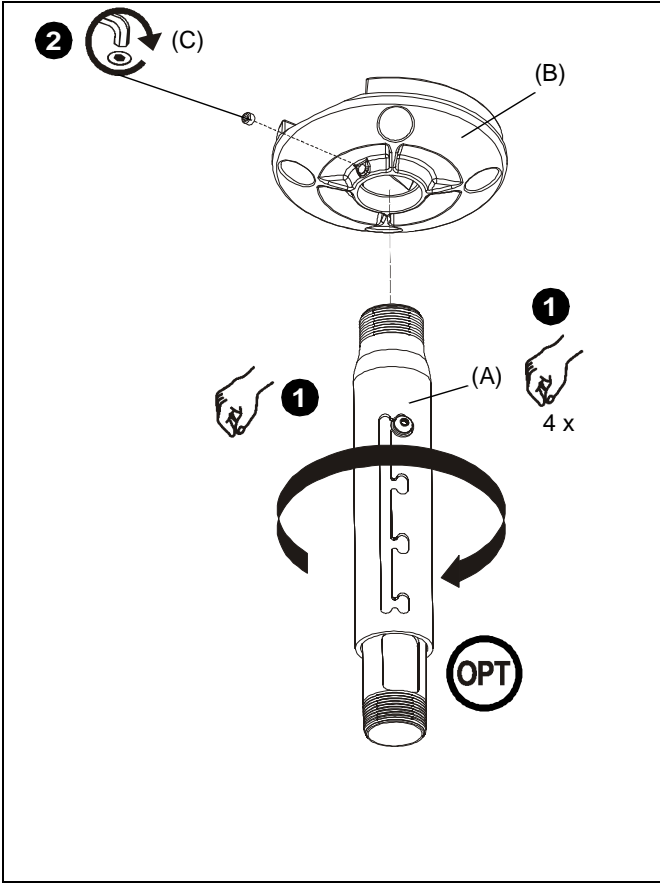


Figure 4

2. Secure column (A) by installing set screw (C) into plate using 5/32" hex key (E). (See Figure 4)

**NOTE:** Two adjustment holes provided in interior (fixed) column. Either adjustment hole can be used to provide 1" (25mm) adjustment increments.

3. (Optional) Remove button head cap screw and supporting washers from lower adjustment hole if an additional 1" (25mm) adjustment increment is desired. (See Figure 5)
4. (Optional) Replace button head cap screw and supporting washers into upper adjustment hole to provide an additional 1" (25mm) adjustment increment. (See Figure 5)

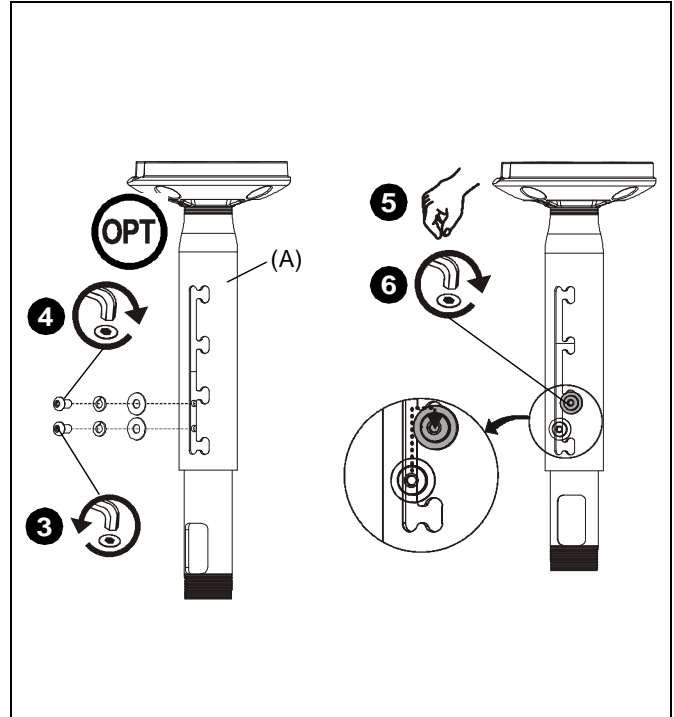


Figure 5

5. Adjust column (A) to desired length, then rotate and lock into position. (See Figure 5)

**NOTE:** Any locking slot can be used to provide 1" (25mm) adjustment increments.

6. Tighten adjustment screw using 3/16" hex key (D). (See Figure 5)
7. Tighten set screws on back of pipe using 5/32" key (E). (See Figure 6)

**NOTE:** Optional installation similar; not shown.

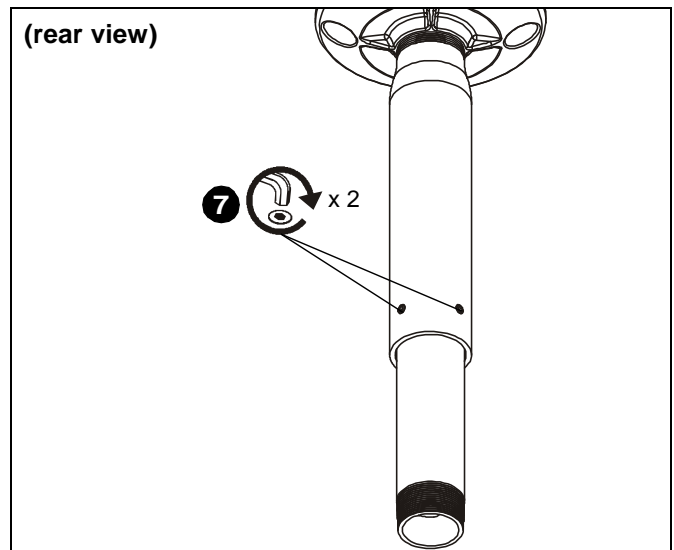


Figure 6

### Attaching Faceplate to Pipe



**CAUTION:** Watch for pinch points. Do not place fingers between movable parts.

1. Thread the faceplate (G) onto pipe (A) until tight. (See Figure 7)
2. Install and tighten the 5/16-18 x 1/4" set screw (H) using the 5/32" hex key (E). (See Figure 7)

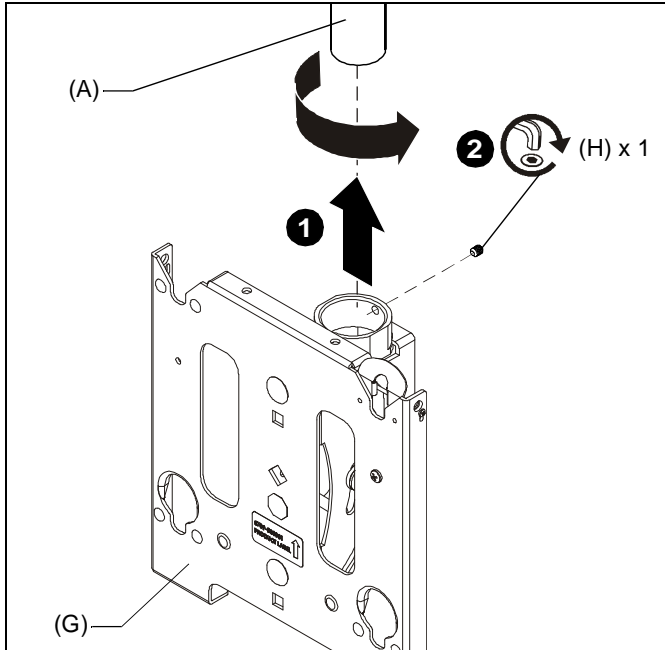


Figure 7

### Interface Bracket Assembly

1. Use four #10-24 x 1/2" button head cap screws (L) and 1/8" hex key (N) to attach four mounting buttons (M) to two center brackets (K). (See Figure 8)
2. Use four #10-24 x 1/2" button head cap screws (L) and 1/8" hex key (N) to attach side brackets (J) to center brackets (K). (See Figure 8)

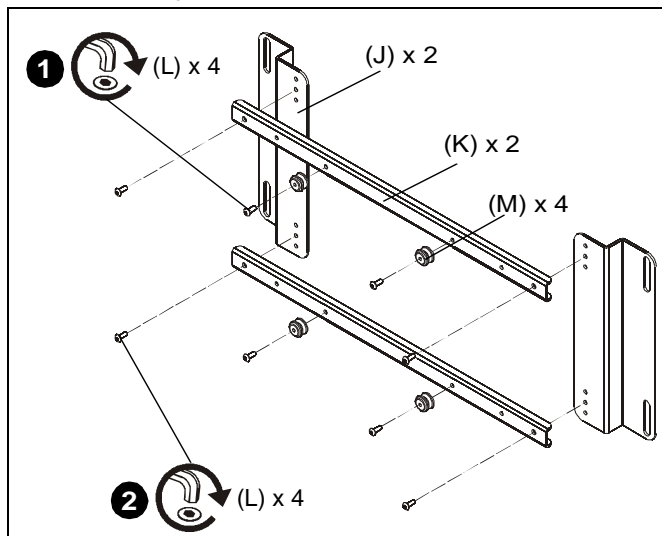


Figure 8

### Display Installation



**WARNING:** IMPROPER INSTALLATION CAN LEAD TO EQUIPMENT FALLING CAUSING SERIOUS PERSONAL INJURY AND DAMAGE TO EQUIPMENT! DO NOT substitute hardware. Use only hardware supplied by manufacturer!



**WARNING:** IMPROPER INSTALLATION CAN LEAD TO ELECTRIC SHOCK OR DAMAGE TO EQUIPMENT! Screw length must not exceed the depth of threaded mounting insert in display.



**WARNING:** OVERTIGHTENING OF SCREWS CAN DAMAGE PARTS AND LEAD TO SERIOUS PERSONAL INJURY AND DAMAGE TO EQUIPMENT! DO NOT over tighten screws when installing interface bracket.



**WARNING:** IMPROPER INSTALLATION CAN LEAD TO DISPLAY FALLING CAUSING SERIOUS PERSONAL INJURY OR DAMAGE TO EQUIPMENT! Using screws of improper size may damage your display! Proper screws will easily and completely thread into display mounting holes. Ensure that screws are not too long.



**WARNING:** IMPROPER INSTALLATION CAN LEAD TO DISPLAY FALLING CAUSING SERIOUS PERSONAL INJURY OR DAMAGE TO EQUIPMENT! Inadequate thread engagement in display may cause display to fall! Back out screws ONLY as necessary to allow installation of Centris cup!

1. Remove the four mounting screws and washers that came installed on the back of the display. (See Figure 9)
2. Use four removed screws and washers to attach side brackets (J) to display. (See Figure 9)

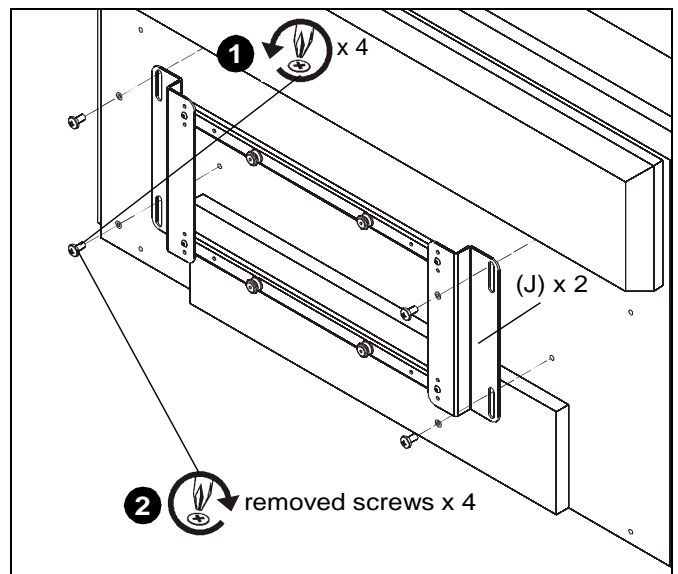


Figure 9

3. While supporting both sides of display, align four mounting buttons (M) on display or interface bracket with four mounting holes on faceplate (G). (See Figures 10, 11 and 12)

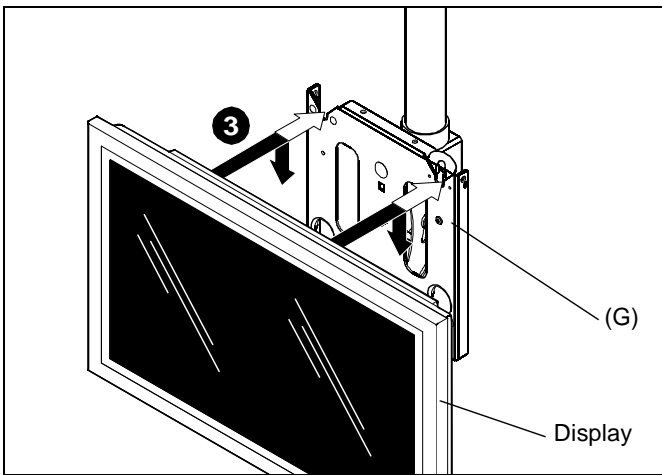


Figure 10

**WARNING:** DISPLAY WEIGHS IN EXCESS OF 40 LBS!  
Always use two people and proper lifting techniques when installing or positioning display.

4. Lower display into place listening for audible “click” to ensure recessed area of mounting buttons (M) are properly seated in lower area of mounting holes. (See Figures 10, 11 and 12)

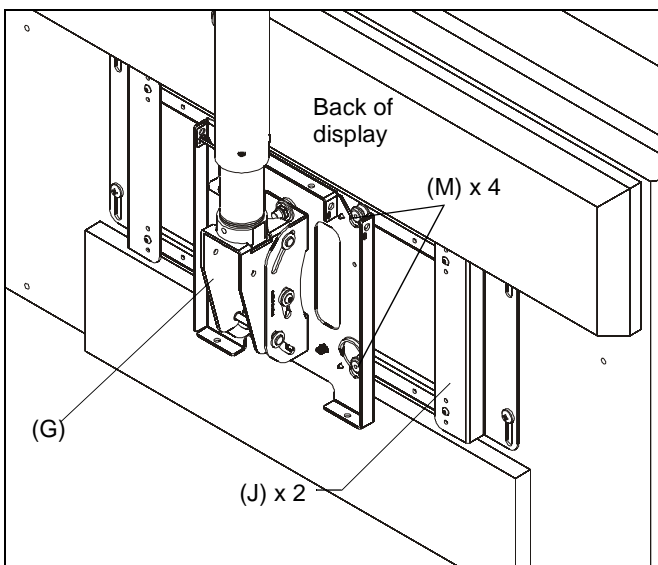


Figure 11

**WARNING:** IMPROPER INSTALLATION CAN LEAD TO DISPLAY FALLING CAUSING SERIOUS PERSONAL INJURY OR DAMAGE TO EQUIPMENT! Ensure mounting buttons are completely engaged in mounting holes.

**NOTE:** Holes are provided in the faceplate for use with a padlock or similar locking device, if desired. In addition, the pin and nut may be removed from the upper holes and moved to the lower holes for use as a more permanent locking device. (See Figure 12)

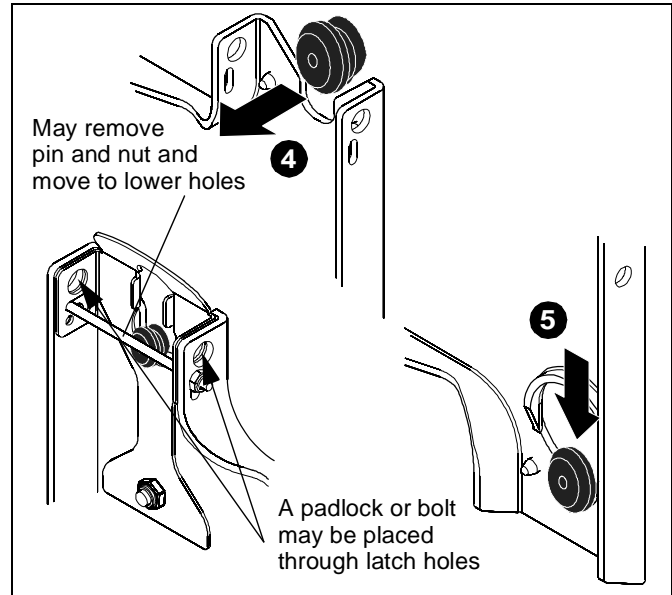


Figure 12

**Removing Display**

1. Disconnect all power/audio/video cables.
2. Remove bolt or padlock from faceplate (if used). (See Figure 13)

**NOTE:** The pin may have been used as a more permanent locking device. If so, remove nut and pin and move from the lower holes to the upper holes.

3. Pull back on flag on upper mounting hole and press pin down into “Open” position. (See Figure 13)

**WARNING:** THE DISPLAY WEIGHS IN EXCESS OF 40 LBS EACH! Always use two people and proper lifting techniques when installing or positioning display.

4. Carefully lift display from faceplate.
5. Lift up on pin and place flag back against faceplate to return it to “Closed” position. (See Figure 13)



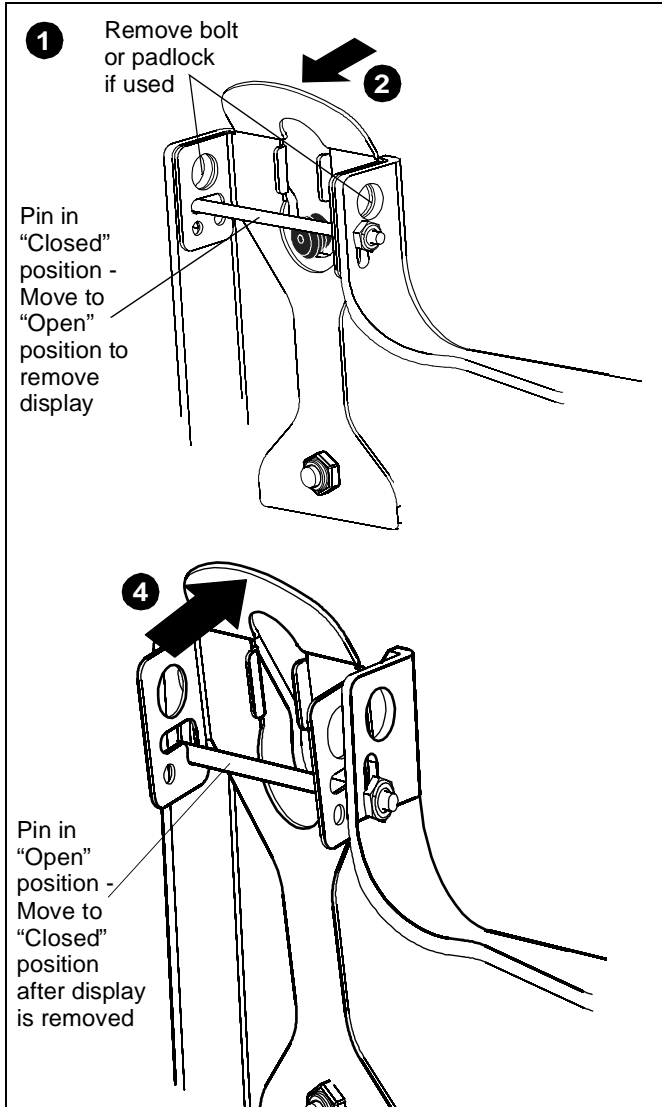


Figure 13

### Adjusting Display



**CAUTION:** Watch for pinch points. Do not place fingers between movable parts.

### Adjusting Roll

1. Using a 9/16" wrench, loosen the Nylock roll adjustment nut on back of mounting plate. (See Figure 14)
2. Tilt the faceplate left or right as required.
3. Tighten nut.

**NOTE:** Do NOT overtighten fasteners.

### Adjusting Pitch

1. Adjust display to the desired pitch.
2. Using the 5/32" hex head wrench (E), tighten the pitch adjustment screw to hold mount in position. (See Figure 14)

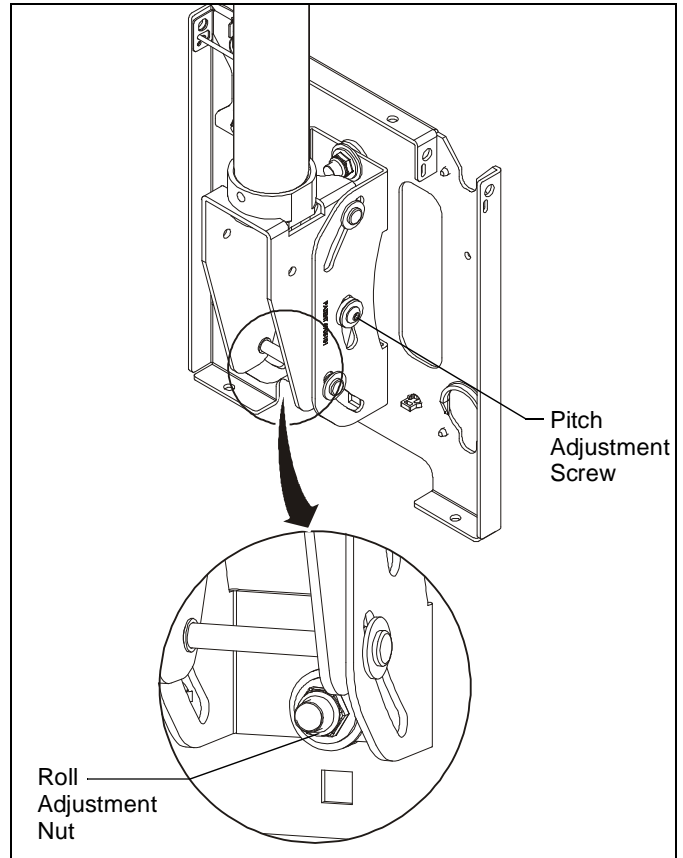


Figure 14





***SunBriteTV***<sup>®</sup>

**SunBriteTV, LLC**

2001 Anchor Court  
Thousand Oaks, CA 91320

866-357-8688

[www.sunbritev.com](http://www.sunbritev.com)

8800-002472 Rev00  
10/13

