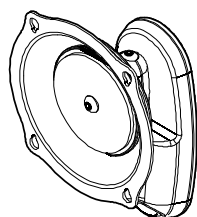
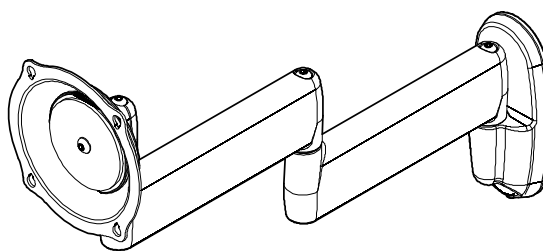
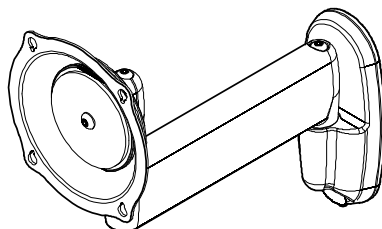

INSTALLATION INSTRUCTIONS



SB-WM32NA



SB-WM32D



SB-WM32

All-Weather Flat Panel Wall Mounts

SunBriteTV[®]


SB-WM32 Series


DISCLAIMER


SunBriteTV LLC (SBTV) intend to make this manual accurate and complete. However, SBTv makes no claim that the information contained herein covers all details, conditions or variations, nor does it provide for every possible contingency in connection with the installation or use of this product. The information contained in this document is subject to change without notice or obligation of any kind. SBTv makes no representation of warranty, expressed or implied, regarding the information contained herein. SBTv assumes no responsibility for accuracy, completeness or sufficiency of the information contained in this document.


SunBriteTV® is a registered trademark of SunBrite TV LLC. Built to SunBriteTV® specifications by Chief Manufacturing. All rights reserved.


IMPORTANT SAFETY INSTRUCTIONS


 **WARNING:** A WARNING alerts you to the possibility of serious injury or death if you do not follow the instructions.

 **CAUTION:** A CAUTION alerts you to the possibility of damage or destruction of equipment if you do not follow the corresponding instructions.

 **WARNING:** Failure to read, thoroughly understand, and follow all instructions can result in serious personal injury, damage to equipment, or voiding of factory warranty! It is the installer's responsibility to make sure all components are properly assembled and installed using the instructions provided.

 **WARNING:** Failure to provide adequate structural strength for this component can result in serious personal injury or damage to equipment! It is the installer's responsibility to make sure the structure to which this component is attached can support five times the combined weight of all equipment. Reinforce the structure as required before installing the component. The wall to which the mount is being attached may have a maximum drywall thickness of 5/8" (1.6cm). Do not install drywall anchors into the seam between drywall pieces.

 **WARNING:** Exceeding the weight capacity can result in serious personal injury or damage to equipment! It is the installer's responsibility to make sure the combined weight of all components located between the SB-WM32 Series mount up to (and including) the display does not exceed 75 lbs (34 kg).

 **WARNING:** Use this mounting system only for its intended use as described in these instructions. Do not use attachments not recommended by the manufacturer.

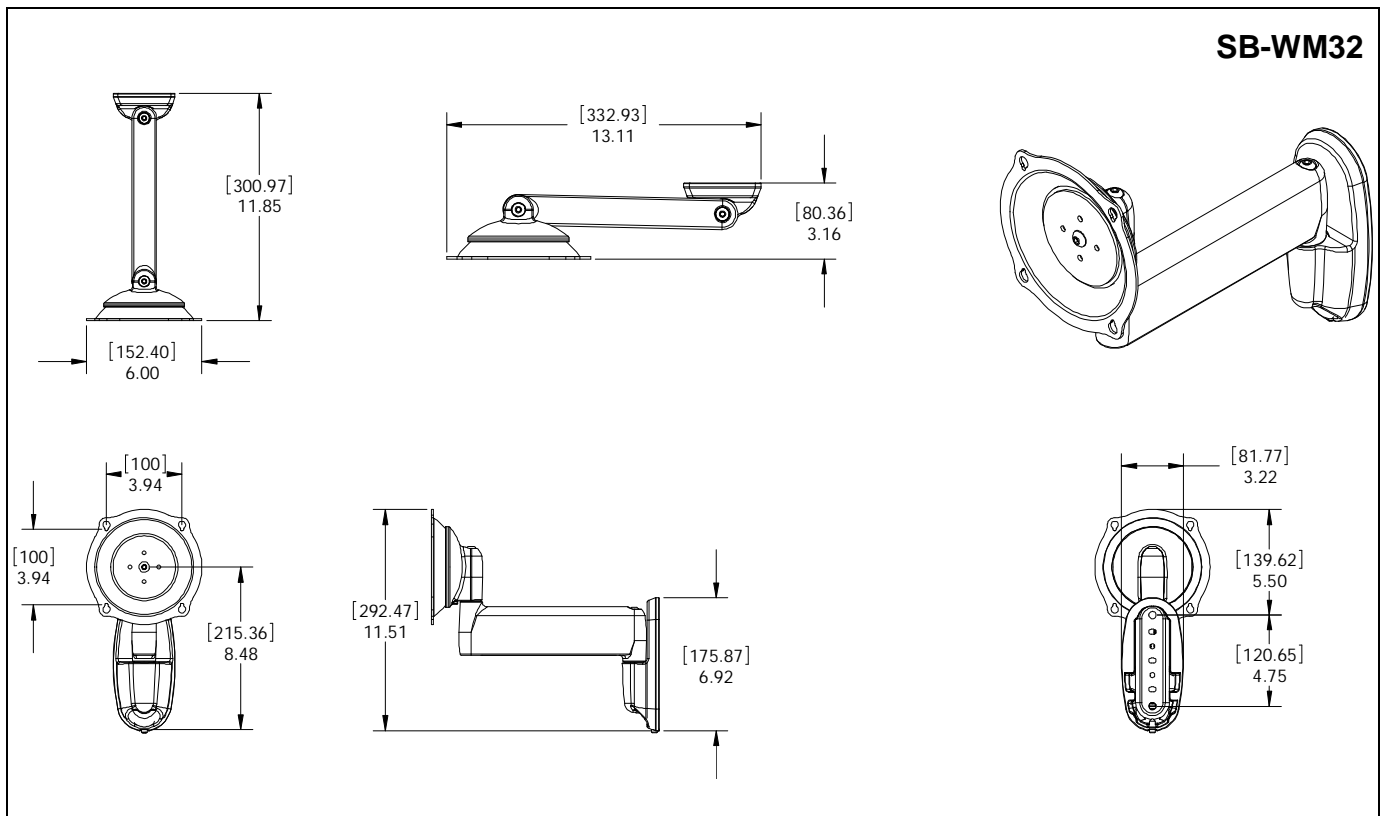
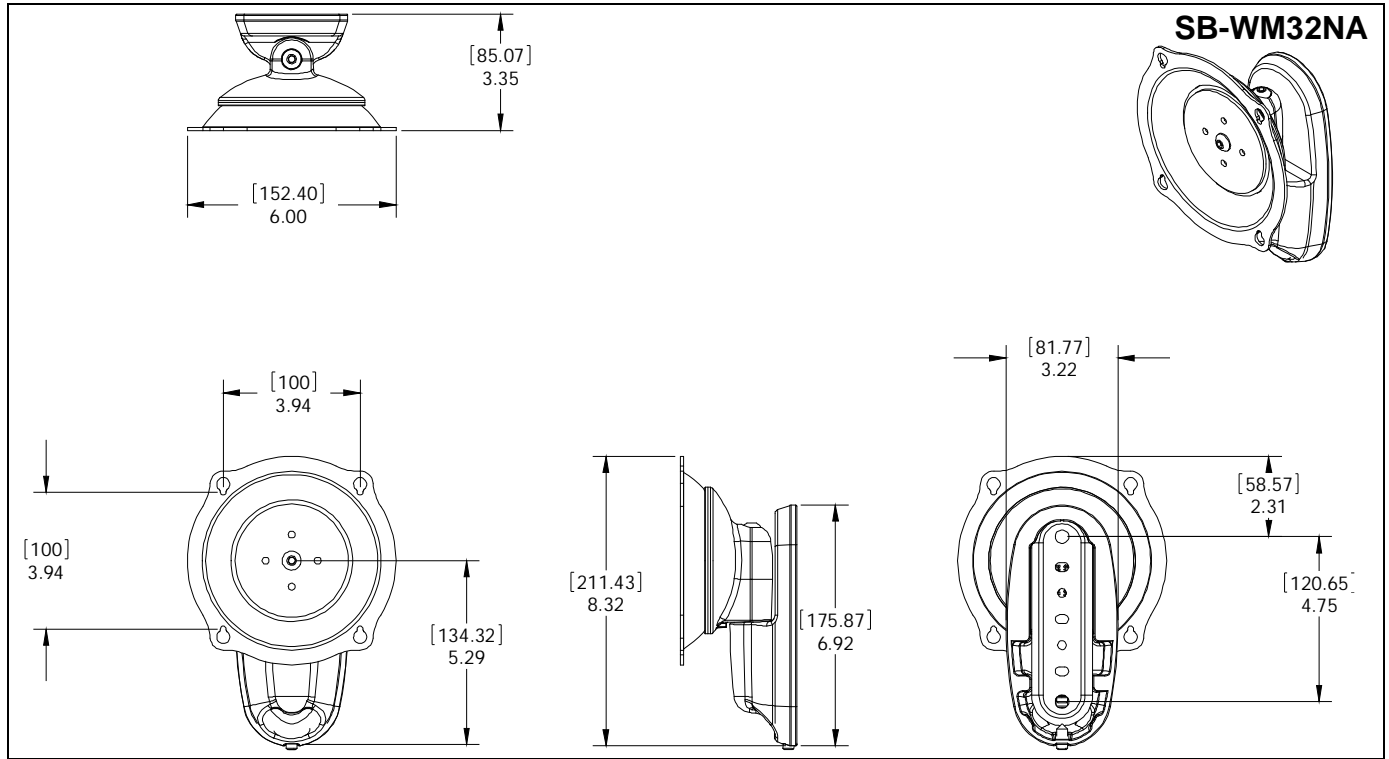


WARNING: Never operate this mounting system if it is damaged. Return the mounting system to a service center for examination and repair.

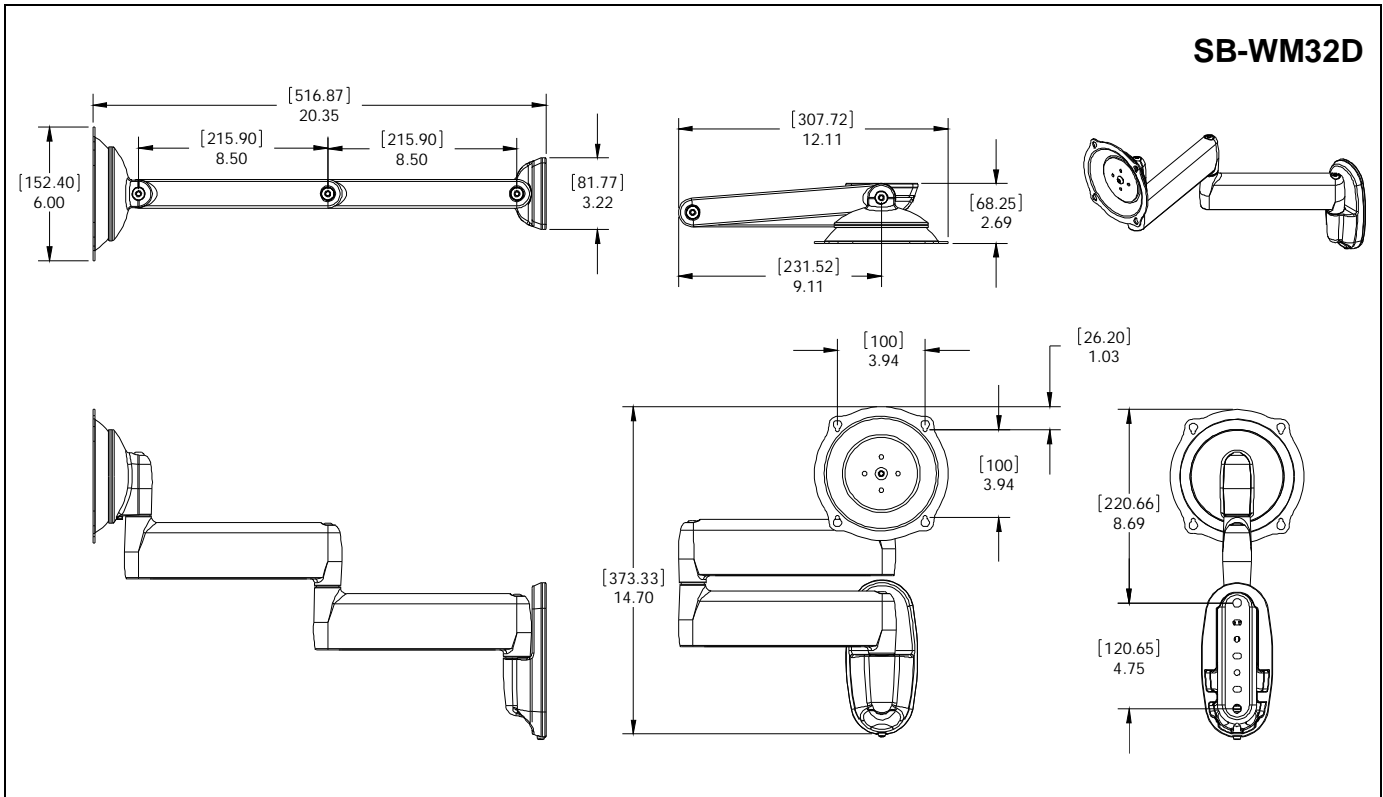
IMPORTANT ! : The SB-WM32 Series mounts are designed to be mounted to a 2" x 4" wood studs wall.

--SAVE THESE INSTRUCTIONS--



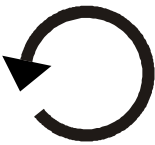





DIMENSIONS



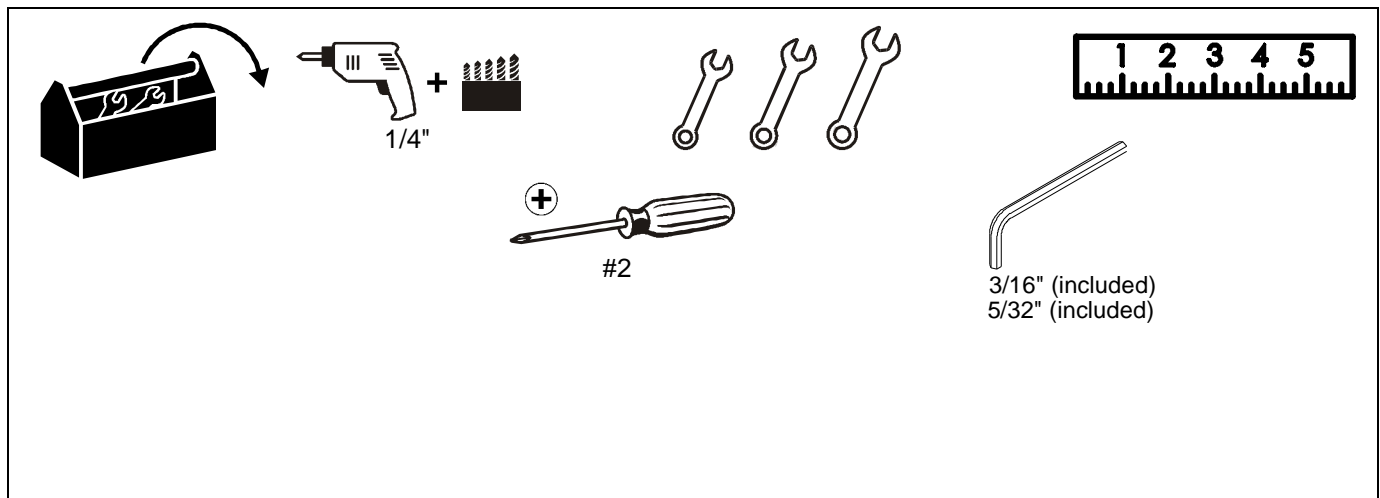
DIMENSIONS (CONTINUED)



LEGEND

	<p>Tighten Fastener Apretar elemento de fijación Befestigungsteil festziehen Apertar fixador Serrare il fissaggio Bevestiging vastdraaien Serrez les fixations</p>		<p>Pencil Mark Marcar con lápiz Stiftmarkierung Marcar com lápis Segno a matita Potloodmerkteken Marquage au crayon</p>
	<p>Loosen Fastener Aflojar elemento de fijación Befestigungsteil lösen Desapertar fixador Allentare il fissaggio Bevestiging losdraaien Desserrez les fixations</p>		<p>Drill Hole Perforar Bohrloch Fazer furo Praticare un foro Gat boren Percez un trou</p>
	<p>Phillips Screwdriver Destornillador Phillips Kreuzschlitzschraubendreher Chave de fendas Phillips Cacciavite a stella Kruiskopschroevendraaier Tournevis à pointe cruciforme</p>		<p>Adjust Ajustar Einstellen Ajustar Regolare Afstellen Ajuster</p>
	<p>Open-Ended Wrench Llave de boca Gabelschlüssel Chave de bocas Chiave a punte aperte Steeksleutel Clé à fourche</p>		<p>Hex-Head Wrench Llave de cabeza hexagonal Sechskantschlüssel Chave de cabeça sextavada Chiave esagonale Zeskantsleutel Clé à tête hexagonale</p>

TOOLS REQUIRED FOR INSTALLATION



PARTS

ITEM	DESCRIPTION	QUANTITY By SB-WM MODEL		
		32NA	32	32D
A	PIVOT PITCH WALL MOUNT	1	-	-
B	SINGLE ARM WALL MOUNT	-	1	-
C	DUAL ARM WALL MOUNT	-	-	1
D	J-SERIES WALL PLATE	1	1	1
E	CABLE MANAGEMENT COVER	-	1	2
F	HEX HEAD LAG SCREW, 3/8" X 3"	2	2	2
G	PHILLIPS FLAT MACHINE SCREW, 8-32 X 3/8"	-	2	4

INSTALLATION



WARNING: FAILURE TO PROVIDE ADEQUATE STRUCTURAL STRENGTH FOR THIS MOUNT CAN RESULT IN SERIOUS PERSONAL INJURY OR DAMAGE TO EQUIPMENT! It is the installer's responsibility to make sure the structure to which this mount is attached can support five times the combined weight of the mount and all equipment attached to it. Reinforce the structure as required before installing the mount.

1. Determine location for mount keeping in mind display size, extension, height adjustment (if applicable), and pitch/roll requirements. Use a stud finder to locate wood stud.

IMPORTANT ! : The SB-WM32 Series mounts are designed to be mounted to a 2" x 4" wood studs wall.

2. Using wall plate (D) as a template, mark then drill two 1/4" diameter x 3" deep pilot holes through top and bottom holes of wall bracket into wall structure. Holes must located at the center of wood studs. (See Figure 1)
3. Install two 3/8" x 3" hex head lag screws (F) through wall plate (D) and drywall into wood stud. (See Figure 1)
4. Ensure wall plate (D) is vertical, then tighten screws (F). (See Figure 1)

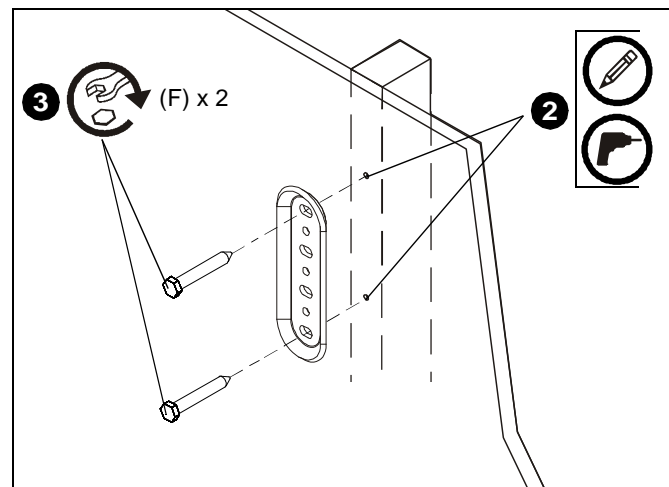


Figure 1



CAUTION: Overtightening screws may cause wall bracket to compress into soft wall surface, resulting in difficult mount installation or improper engaging of set screw in later step.

5. Insert top of wall mount (A, B or C) over lip on top of wall plate (D). (See Figure 2)
6. Swing wall mount down flush against wall. (See Figure 2)

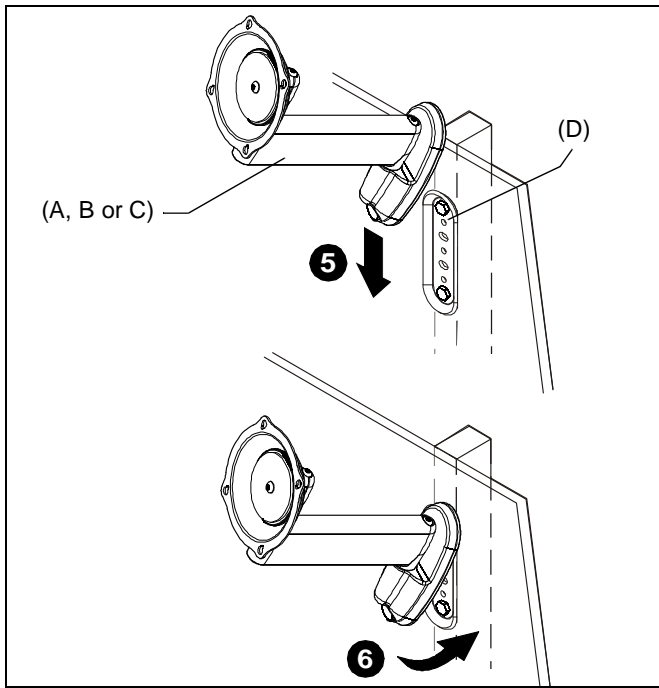


Figure 2

7. Tighten set screw in bottom of wall mount. (See Figure 3)

NOTE: Ensure set screw engages on back side of wall plate to properly secure wall mount.

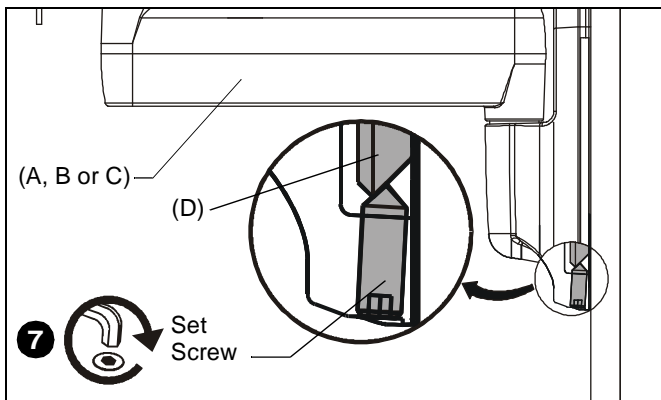


Figure 3

DISPLAY INSTALLATION



WARNING: Exceeding the weight capacity can result in serious personal injury or damage to equipment! It is the installer's responsibility to make sure the combined weight of all components located between the SB-WM32 Series mount up to (and including) the display does not exceed 75 lbs (34 kg).



WARNING: IMPROPER INSTALLATION CAN LEAD TO EQUIPMENT FALLING CAUSING SERIOUS PERSONAL INJURY AND DAMAGE TO EQUIPMENT! DO NOT substitute hardware. Use only hardware supplied by manufacturer!



WARNING: IMPROPER INSTALLATION CAN LEAD TO ELECTRIC SHOCK OR DAMAGE TO EQUIPMENT! Screw length must not exceed the depth of threaded mounting insert in display.



WARNING: OVERTIGHTENING OF SCREWS CAN DAMAGE PARTS AND LEAD TO SERIOUS PERSONAL INJURY AND DAMAGE TO EQUIPMENT! DO NOT over tighten screws when installing interface bracket.



WARNING: IMPROPER INSTALLATION CAN LEAD TO DISPLAY FALLING CAUSING SERIOUS PERSONAL INJURY OR DAMAGE TO EQUIPMENT! Using screws of improper size may damage your display! Proper screws will easily and completely thread into display mounting holes. Ensure that screws are not too long.



WARNING: IMPROPER INSTALLATION CAN LEAD TO DISPLAY FALLING CAUSING SERIOUS PERSONAL INJURY OR DAMAGE TO EQUIPMENT! Inadequate thread engagement in display may cause display to fall! Back out screws ONLY as necessary to allow installation of mounting plate!

1. Loosen the top two mounting screws on the back of the display to protrude 1/8" and remove the bottom two screws. (See Figure 4)

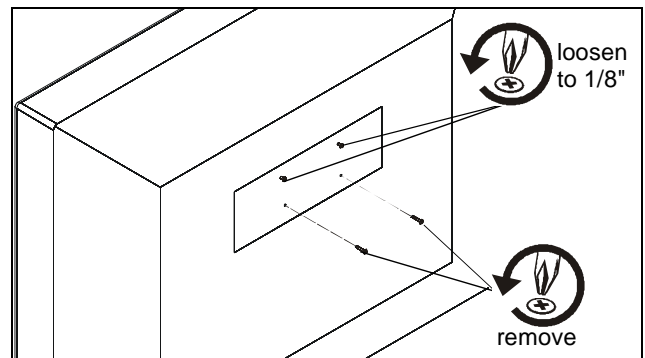


Figure 4

- Align two screws in display back with upper teardrop mounting holes in mounting plate and lower display until screws are seated in lower area of teardrop mounting holes. (See Figure 5)



CAUTION: Do not let go of the television at this point. Hold the television in place while proceeding to the next step!

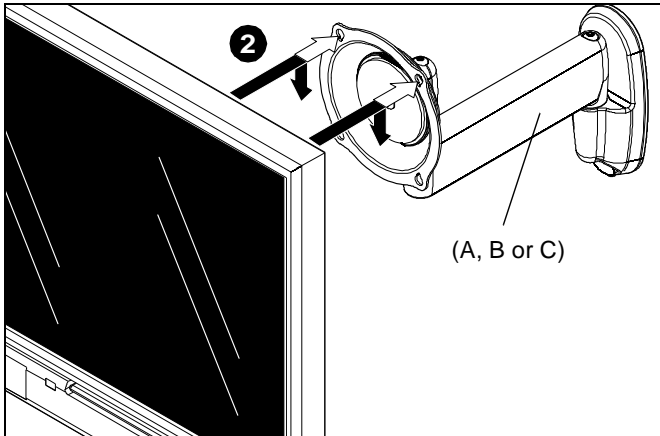


Figure 5

- Install two removed screws through lower mounting holes in display mounting plate and into display back. (See Figure 6)

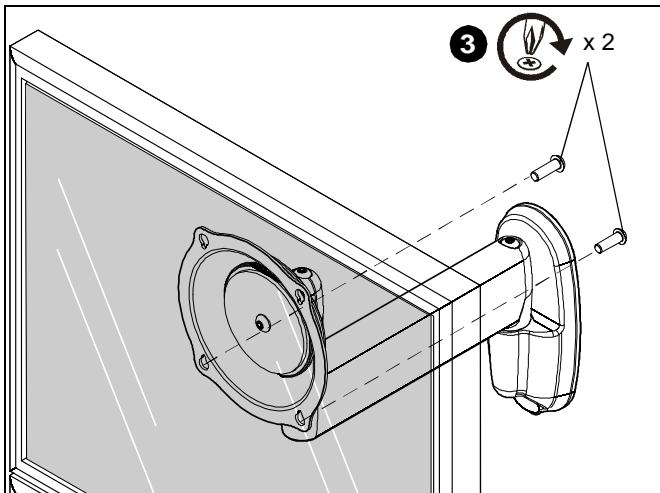


Figure 6

- Tighten all hardware.

CABLE MANAGEMENT

- Attach all cables to display.



CAUTION: Ensure that adequate cable slack exists for movement of display, and that cables will not be pinched by installation of cable management cover(s) (E) or screws (G).

- Carefully insert cables in cavity located in lower portion of mount arm. (See Figure 7)
- Install cover (E) with two 8-32 x 3/8" Phillips screws (G). (See Figure 7)

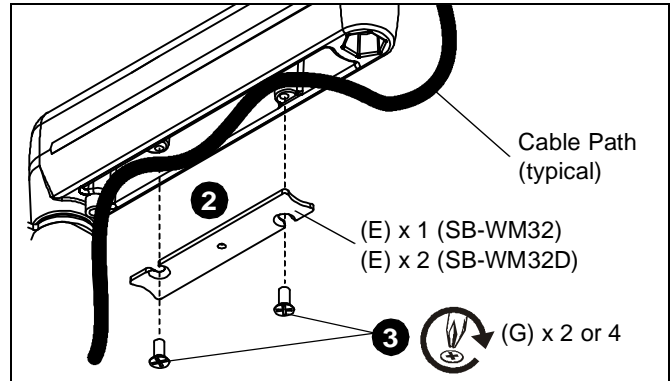


Figure 7

ADJUSTMENTS

PIVOT / SWING TENSION

- Slightly loosen or tighten the adjustment screw(s) as necessary. (See Figure 8)

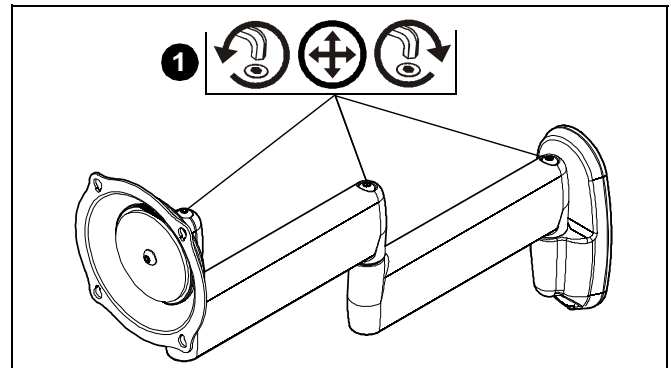


Figure 8

DISPLAY ROLL / PITCH / YAW TENSION

- Disconnect all wires and cable from the display.
- Remove two *Lower* screws securing display to Centris cup.
- Loosen two *Upper* screws securing display.
- Lift display upward and away from mount.
- Turn the tension adjustment screw clockwise to increase tension, or counter-clockwise to decrease tension. (See Figure 9)
- Re-install display.

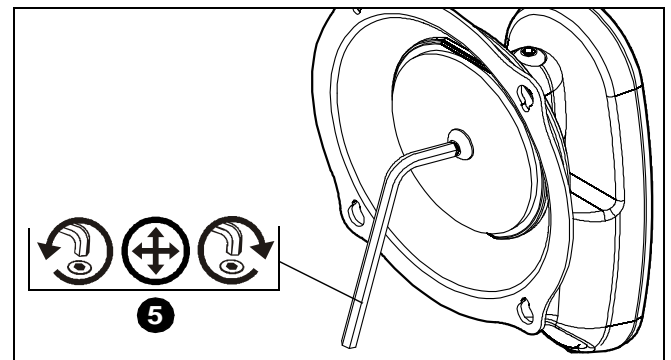


Figure 9

SunBriteTV[®]

8800-002163 Rev00
04/12

SunBriteTV, LLC

2001 Anchor Court
Thousand Oaks, CA 91320

866-357-8688

www.sunbritev.com

