

---

# INSTALLATION INSTRUCTIONS

---

## Small Flat Panel Desk Mounts

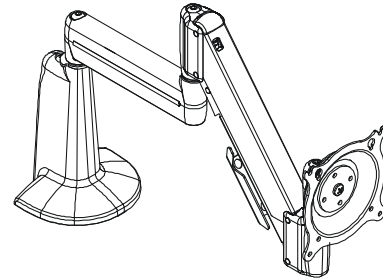
### Models: MSP-TDKCG110 & MSP-TDKCY220

#### Specifications:

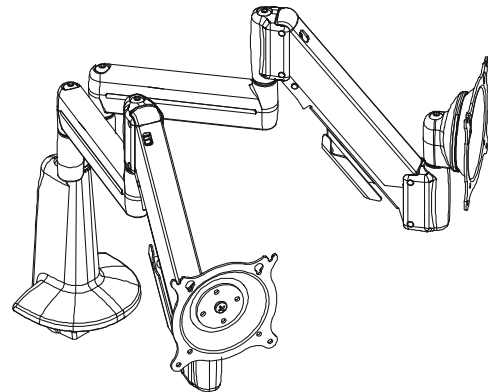
- Designed for edge or grommet (hole) installation.
- Accommodates VESA compliant 75mm x 75mm, or 100mm x 100mm display mounting pattern.

**IMPORTANT ! :** See "IMPORTANT WARNINGS AND CAUTIONS" on page 2 for weight capacities of these mounts.

MSP-TDKCG110  
(Dual Arm - Height Adjustable)



MSP-TDKCY220  
(Multi-Dual Arm - Height Adjustable)



---

#### BEFORE YOU BEGIN

---



**WARNING:** It is the installer's responsibility to make sure all components are properly assembled and installed using the instructions provided. Failure to read, thoroughly understand, and follow all instructions can result in serious personal injury, damage to equipment, or voiding of factory warranty.

- If you have any questions about these instructions or your specific installation, contact Chief Manufacturing at 1-800-582-6480 or 952-894-6280.

Chief® and Centris™ are registered trademarks of Milestone AV Technologies, Inc. All rights reserved.



Our Mounts. **Your Vision.**

Chief Manufacturing, a division of Milestone AV Technologies

1-800-582-6480 952-894-6280 Fax: 952-894-6918

8401 Eagle Creek Parkway

Savage, Minnesota 55378 USA

8832-000166

©2008 Milestone AV Technologies

[www.chiefmfg.com](http://www.chiefmfg.com)

06/08

---



## IMPORTANT WARNINGS AND CAUTIONS!

**WARNING:** A WARNING alerts you to the possibility of serious injury or death if you do not follow the instructions.

**CAUTION:** A CAUTION alerts you to the possibility of damage or destruction of equipment if you do not follow the corresponding instructions.



**WARNING:** Failure to provide adequate structural strength for this component can result in serious personal injury or damage to equipment! It is the installer's responsibility to make sure the structure to which this component is attached can support five times the combined weight of all equipment. Reinforce the structure as required before installing the component.



**WARNING:** Exceeding the weight capacity can result in serious personal injury or damage to equipment!

- MSP-TDKCG110: It is the installer's responsibility to make sure the combined weight of all components attached to the mount (including the display) does not exceed 25 lbs (11 kg).
- MSP-TDKCY220: It is the installer's responsibility to make sure the combined weight of all components attached to the mount (including the weight of *both* displays) does not exceed 40 lbs (18 kg), AND that the combined weight of all components attached to *either* of the two arm assemblies does not exceed 25 lbs (11 kg).

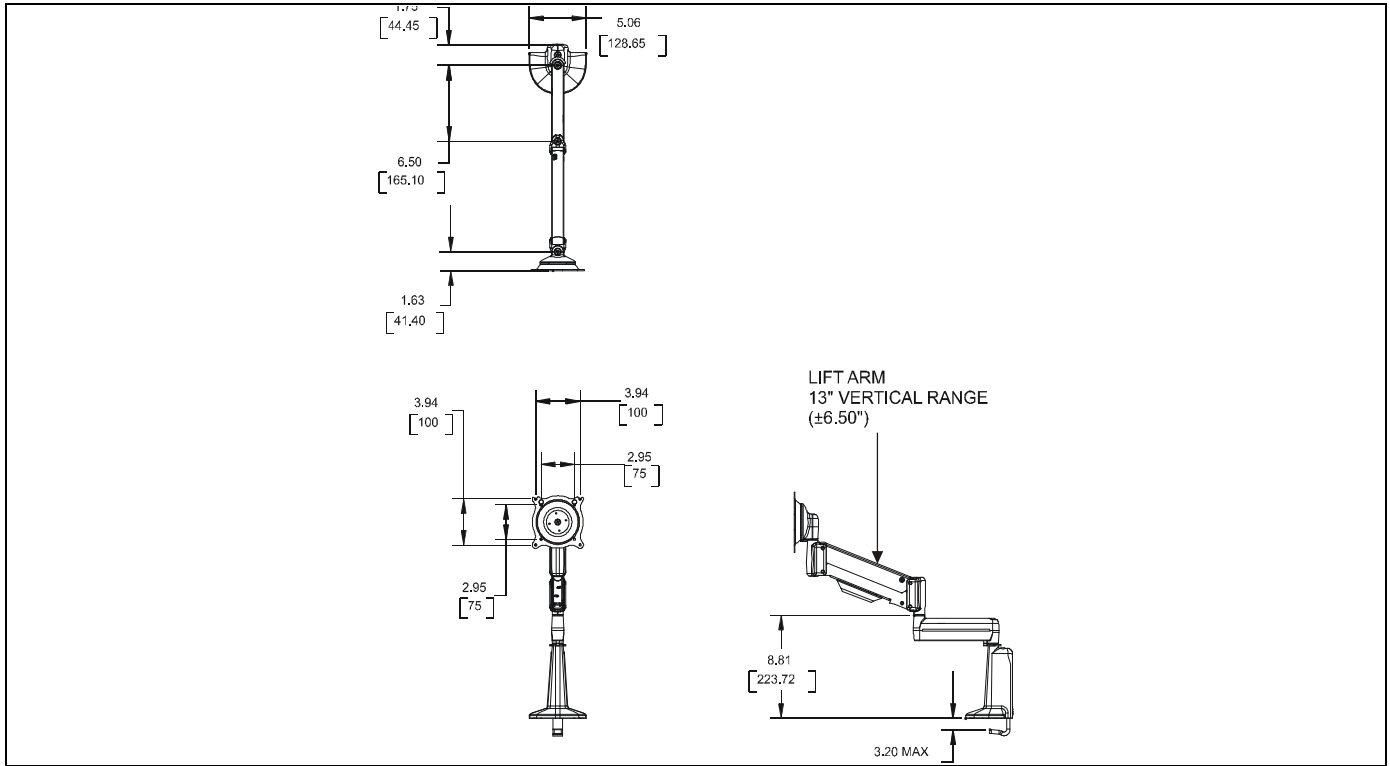


**WARNING:** Allowing any part of your body or component cables to be caught between movable parts can result in serious personal injury or damage to equipment!

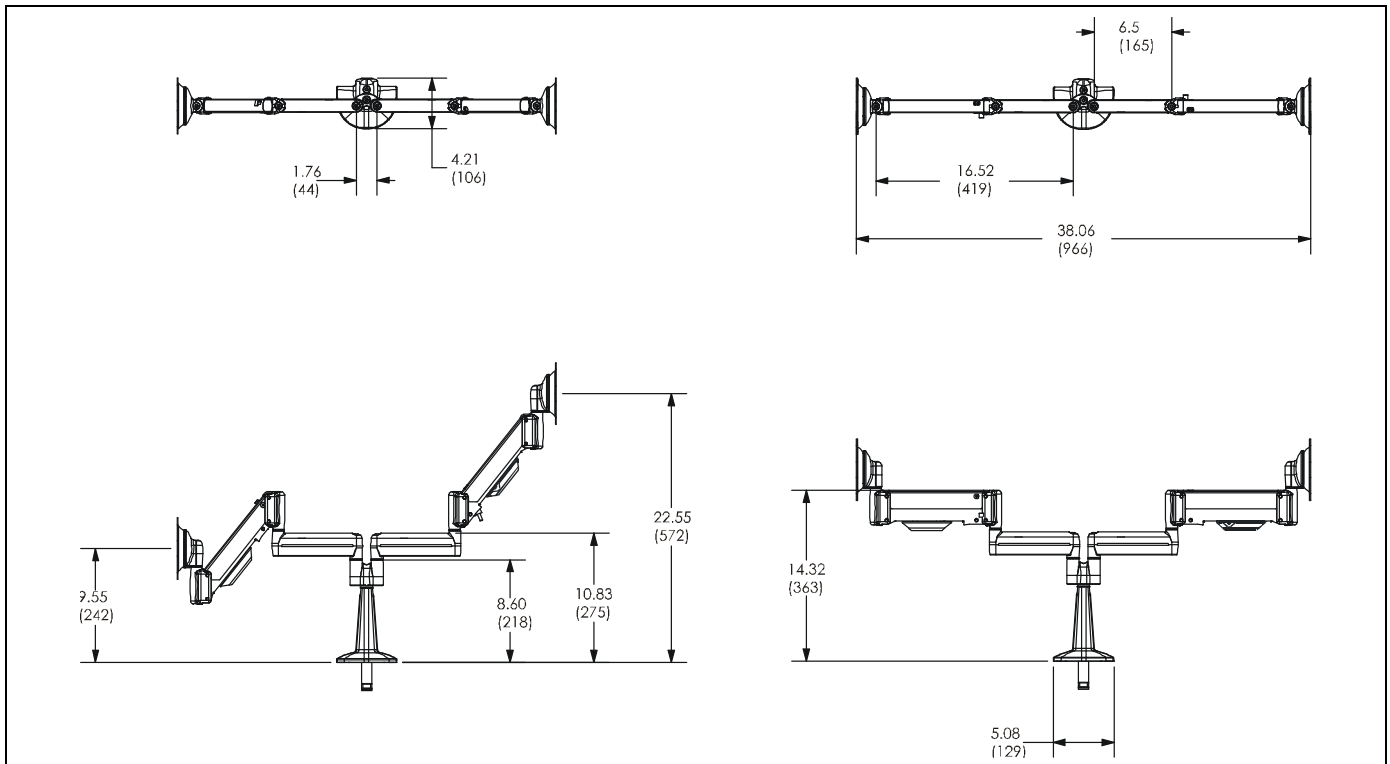


**CAUTION:** Overtightening fasteners may result in improper operation, excessive wear or damage to equipment, and/or voiding of factory warranty!

**DIMENSIONS (MSP-TDKCG110)**



**DIMENSIONS (MSP-TDKCY220)**



**TOOLS REQUIRED FOR INSTALLATION**

- Phillips Screwdriver, #1
- 3/32" Hex Key (included)
- 2.5mm Hex Key (included)
- 5/32" Hex Key (included)
- 3/16" Hex Key (included)

**NOTE:** Other tools may be required depending on your method of installation.

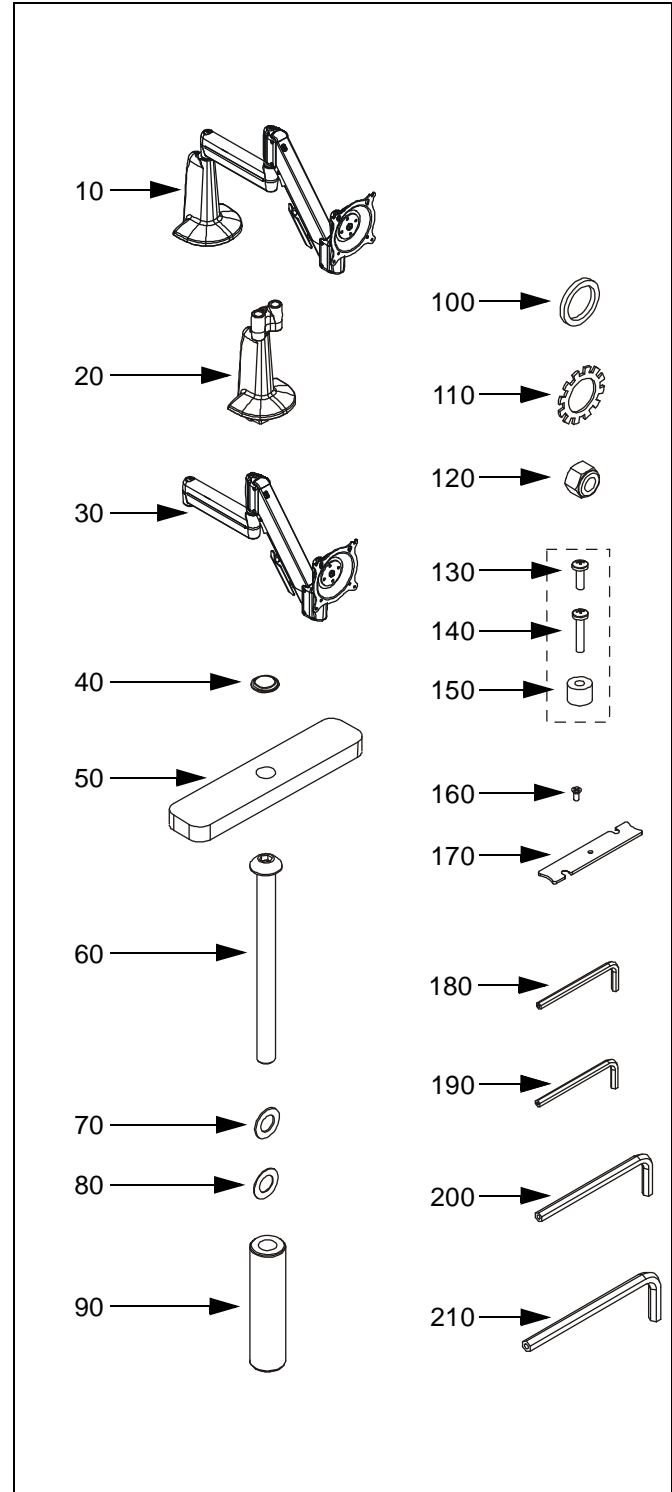
**PARTS**

After unpacking carton, inspect and verify contents (See Table 1)(See Figure 1). If any listed parts are missing or damaged, contact Chief Customer Service at 1-800-582-6480.

**Table 1: Parts**

Item	Description	Qty
10	MOUNT, Desk (MSP-TDKCG110 only)	1
20	MOUNT, Desk (MSP-TDKCY220 only)	1
30	ARM ASSEMBLY, Mount (MSP-TDKCY220 only)	2
40	BUMPER, Adhesive	6
50	BRACKET, Grommet	1
60	SCREW, Button Head Cap, 5/16"-18 x 4"	See Note Below
70	WASHER, 5/16", UHMW (plastic) (MSP-TDKCY220 only)	2
80	WASHER, 5/16", Stainless Steel (MSP-TDKCY220 only)	4
90	PIN (MSP-TDKCY220 only)	2
100	SPACER, UHMW (plastic) (MSP-TDKCY220 only)	2
110	WASHER, Lock, External Tooth, 5/8" (MSP-TDKCY220 only)	4
120	NUT, Nylok, 5/16"-18 (MSP-TDKCY220 only)	2
130	SCREW, Phillips Pan Machine, M4 x 10mm	4 per head
140	SCREW, Phillips Pan Machine, M4 x 20mm	4 per head
150	SPACER, Nylon, 10mm long	4 per head
160	SCREW, Phillips Flat Machine, 8-32 x 3/8" (for Static Arm)	2 per arm
170	COVER, Cable Management, Static Arm	1 per arm
180	HEX KEY, 3/32"	1
190	HEX KEY, 2.5mm	1
200	HEX KEY, 5/32"	1
210	HEX KEY, 3/16"	1

NOTE: MSP-TDKCG110 Qty: 1; MSP-TDKCY220 Qty: 3



**Figure 1: Parts**

## MOUNT INSTALLATION

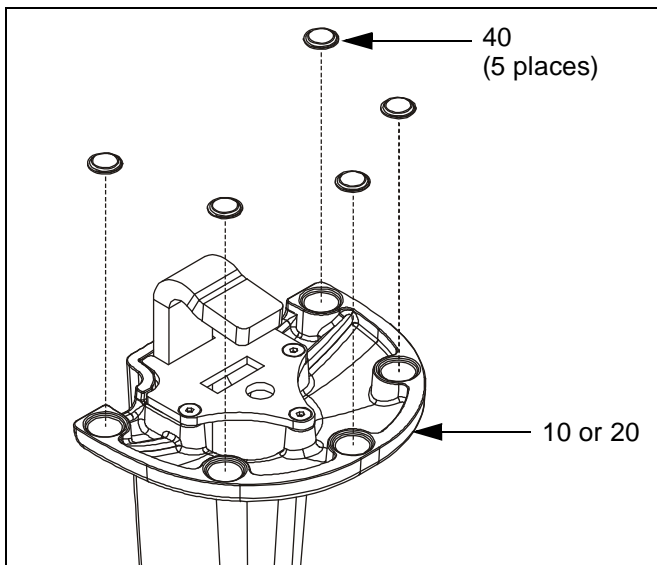
Two installation options exist:

- Edge Installation
- Grommet (Hole) Installation; requires 3/8" to 3" diameter hole and access to the bottom of the desk

### ASSEMBLY

1. Determine approximate location for mount keeping in mind display size, arm extension, height adjustment (if applicable), and pitch/roll requirements.
2. Peel backing from adhesive bumpers (40) and attach to bottom of mount (10 or 20, as applicable) (See Figure 2).

**NOTE:** One extra bumper (40) included for convenience.



**Figure 2: Install Bumpers**

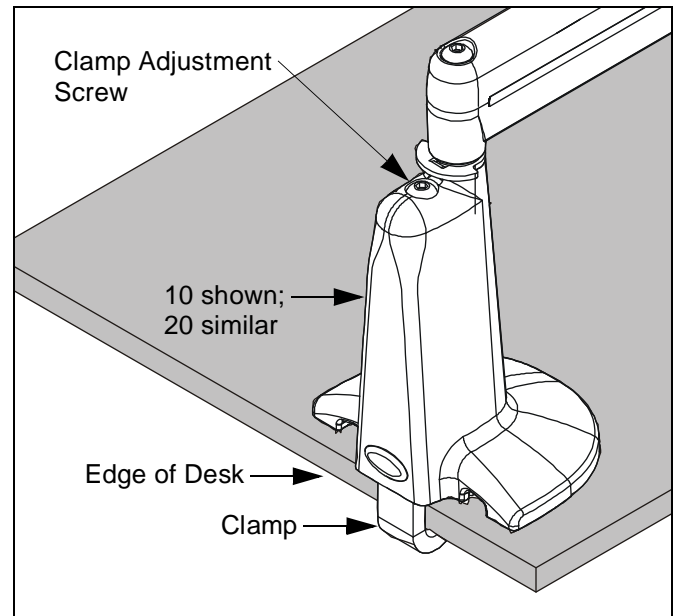
3. Proceed to Edge Installation, or Grommet (Hole) Installation, as desired.

## EDGE INSTALLATION

**IMPORTANT ! :** IF your display has a recessed mounting hole cavity, *and* the Centris bracket will not fit into that cavity (See Figure 11), THEN proceed to "DISPLAY INSTALLATION" (See Page 9) *before continuing* with the Edge Installation procedure. Otherwise, continue below.

1. Slip mount (10 or 20, as applicable) over edge of desk so that clamp fully contacts desk edge. Using hex key (210), securely tighten clamp adjustment screw (See Figure 3).

**NOTE:** Bracket (50) and one screw (60) not used in this installation.

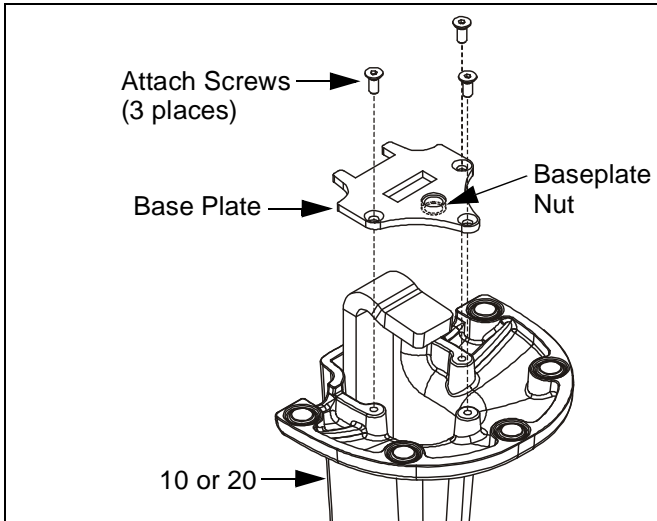


**Figure 3: Edge Installation**

2. Proceed to:
  - "CABLE MANAGEMENT" if you have an MSP-TDKCG110 mount *and* your display was *previously* installed, or to
  - "DISPLAY INSTALLATION" if you have an MSP-TDKCG110 mount *and* your display was *not* previously installed, or to
  - "MULTI-DUAL ARM ASSEMBLY" if you have an MSP-TDKCY220 mount.

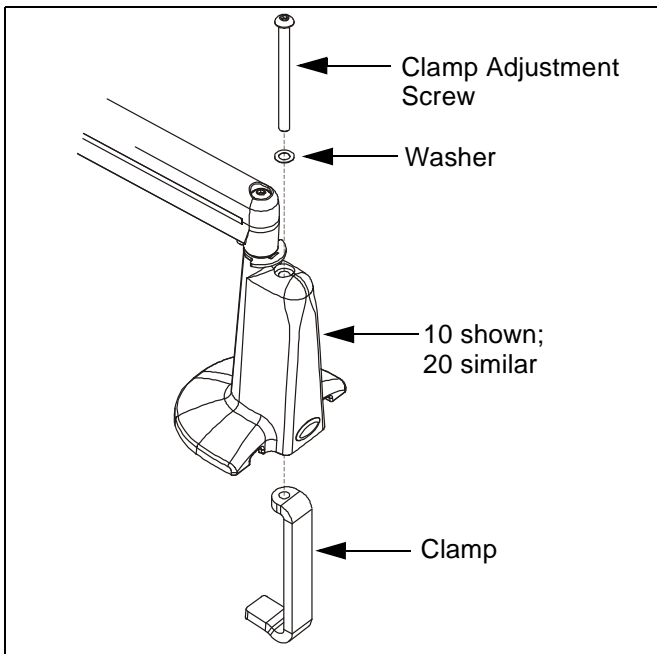
**GROMMET (HOLE) INSTALLATION**

- Using hex key (190), remove and retain baseplate and three attach screws from bottom of mount (10 or 20, as applicable) (See Figure 4).

**Figure 4: Baseplate**

- Using hex key (210), remove clamp adjustment screw, washer, and clamp (See Figure 5). Retain clamp adjustment screw and washer for later use.

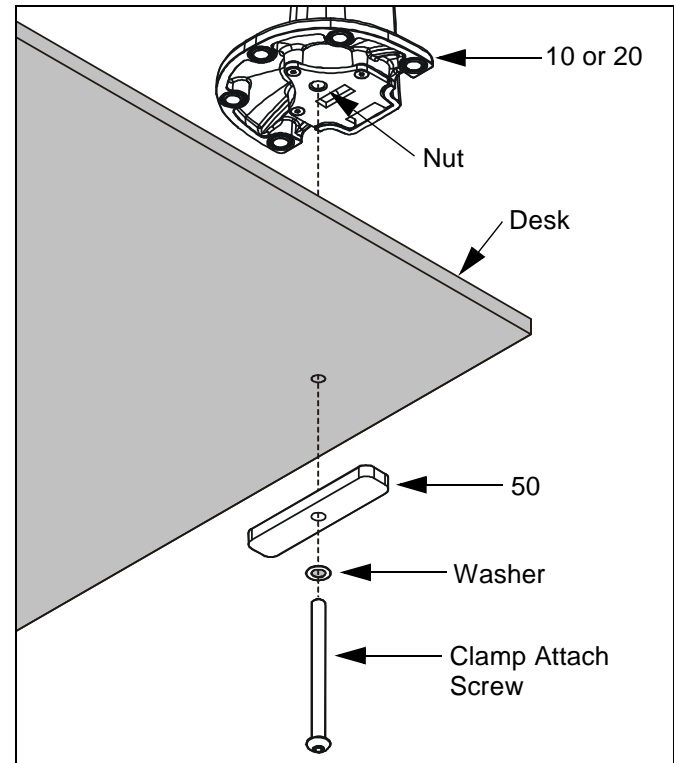
**NOTE:** Clamp will not be used in this installation.

**Figure 5: Remove Clamp**

- Using hex key (190), re-install baseplate with three retained attach screws. Ensure baseplate nut faces *interior* of mount (See Figure 4). Tighten securely.

**IMPORTANT ! :** IF your display has a recessed mounting hole cavity, and the Centris bracket will not fit into that cavity (See Figure 11), THEN proceed to "DISPLAY INSTALLATION" (See Page 9) *before continuing* with the Grommet Installation procedure. Otherwise, continue below.

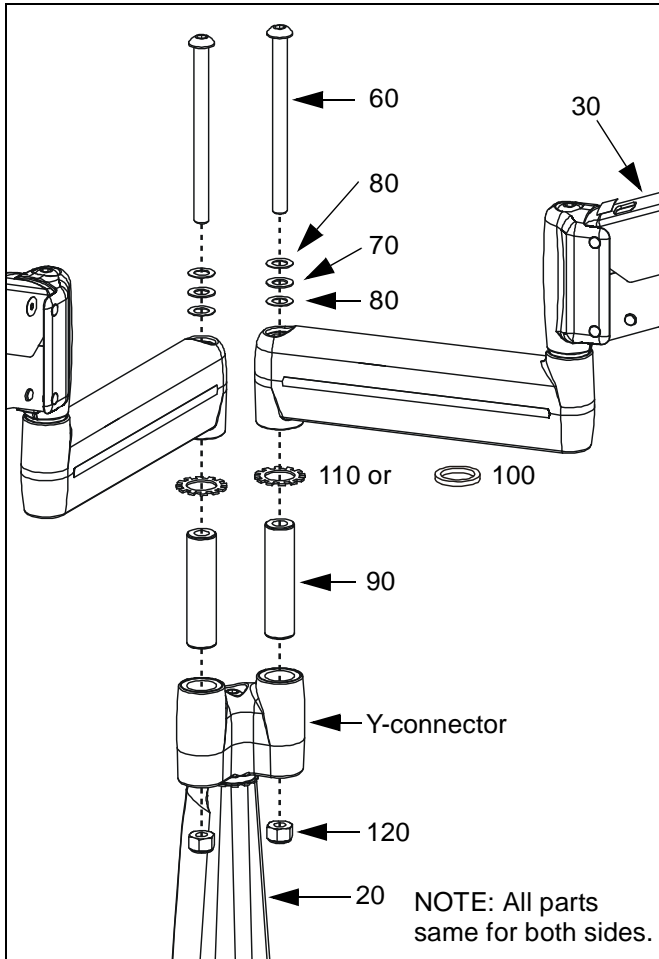
- From below desk, insert retained clamp attach screw and washer through bracket (50) and up through hole in desk (See Figure 6). Using hex key (210), thread screw into baseplate nut. Do not tighten screw at this time.

**Figure 6: Grommet (Hole) Installation**

- From above desk, center mount (10 or 20, as applicable) over hole.
- From below desk, using hex key (210), securely tighten screw.
- Drop screw (60) into open (unused) clamp adjustment hole on top of mount (for appearance only).
- Proceed to:
  - "CABLE MANAGEMENT" if you have an MSP-TDKCG110 mount *and* your display was *previously* installed, or to
  - "DISPLAY INSTALLATION" if you have an MSP-TDKCG110 mount *and* your display was *not* previously installed, or to
  - "MULTI-DUAL ARM ASSEMBLY" if you have an MSP-TDKCY220 mount.

**MULTI-DUAL ARM ASSEMBLY  
(MSP-TDKCY220 ONLY)**

1. Insert pin (90) into Y-connector upper bore in mount (20) (See Figure 7).



**Figure 7: Multi-Dual Arm Assembly**

2. Install washer (110) or spacer (100), as desired, on pin (90) (See Figure 7).

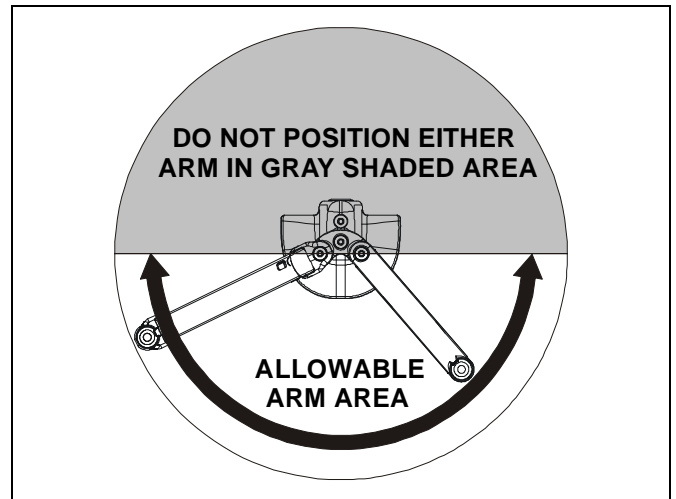
**NOTE:** Washer (110) will lock arm assembly (30) to Y-connector. Spacer will allow limited movement of arm assembly (30) relative to Y-connector, dependent upon tension of screw (60).

3. Insert arm assembly (30) on pin (90) (See Figure 7).
4. While holding nut (120) in lower bore of Y-connector, insert screw (60) through washer (80), washer (80), arm assembly (30), pin (90), and Y-connector, into nut (120) (See Figure 7). Do not tighten screw (60) at this time.



**CAUTION:** Improper positioning of arm assembly (30) may result in failure of mount and subsequent damage to displays. Do NOT position either arm assembly (30) in gray shaded area.

5. Position arm assembly (30) within UNSHADED area as shown (See Figure 8). Using hex key (210), tighten screw (60) as required to maintain position.



**Figure 8: Allowable Arm Area**

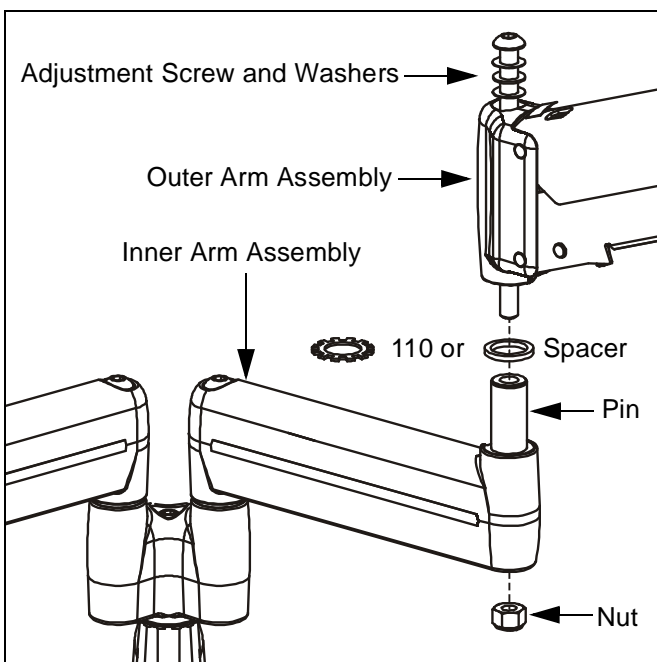
6. Repeat Steps 1. through 5. for second mount arm assembly (30).
7. If desired, proceed to "MULTI-DUAL ARM MODIFICATION." Otherwise, proceed to:
  - "CABLE MANAGEMENT" if your displays were previously installed, or to
  - "DISPLAY INSTALLATION" if your displays were not previously installed.

## MULTI-DUAL ARM MODIFICATION (MSP-TDKCY220 ONLY)

If desired, each arm assembly (30) may be modified to prevent movement of one arm relative to the other arm (without loosening the adjustment screw).

**NOTE:** Spacer (shipped configuration) will allow limited movement of one arm relative to the other arm, dependent upon tension of adjustment screw. Washer (110) will lock arms together.

1. Using hex key (210), loosen adjustment screw until nut can be removed (See Figure 9). Retain nut. Screw and washers may remain in outer mount arm assembly.



**Figure 9: Multi-Dual Arm Modification**

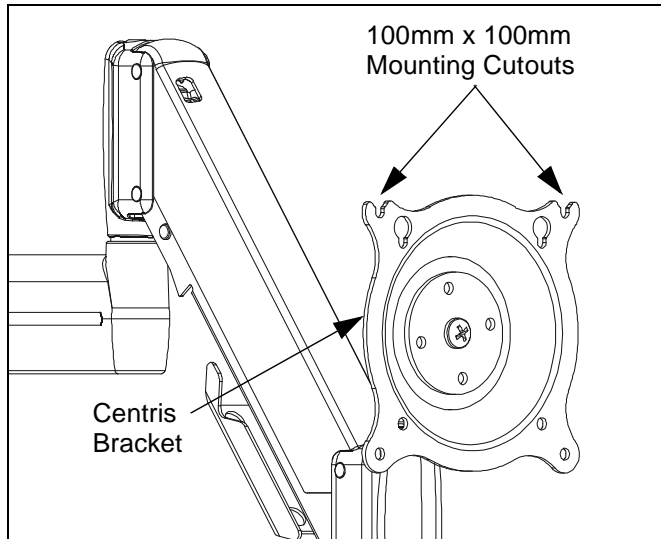
2. Lift outer mount arm assembly from pin (with screw and washers) and place on protective surface.
3. Remove spacer from pin (See Figure 9).
4. Install washer (110) on pin (See Figure 9).
5. Re-install outer mount arm assembly (with screw and washers) on pin (See Figure 9).
6. Insert and hold nut in lower bore of inner mount arm assembly (See Figure 9).
7. Tighten adjustment screw as required using hex key (210) (See Figure 9).
8. Proceed to:
  - "CABLE MANAGEMENT" if your displays *were previously* installed, or to
  - "DISPLAY INSTALLATION" if your displays *were not* previously installed.



## DISPLAY INSTALLATION

### ALL MOUNTS

1. Ensure Centris bracket is able to swivel and tilt easily, yet still be tight enough to hold display in desired position (See Figure 10). Adjust as required before proceeding. See "ADJUSTMENT" for detail.



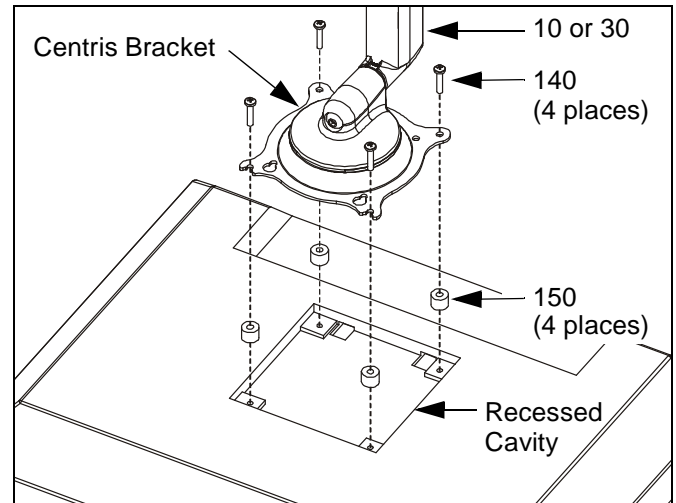
**Figure 10: Centris Bracket Orientation**

2. Rotate the Centris bracket so that the 100mm x 100mm mounting cutouts are on top (See Figure 10).
3. Proceed to:
  - "MOUNTS REQUIRING SPACERS" if your display has a recessed mounting hole cavity, and the Centris bracket will not fit into that cavity (See Figure 11), or to
  - "MOUNTS NOT REQUIRING SPACERS" for all other configurations.

### MOUNTS REQUIRING SPACERS

**IMPORTANT ! :** Spacers (150) are used only if your display has a recessed mounting hole cavity, and the Centris bracket will not fit into that cavity (See Figure 11).

1. Carefully place display face down on protective surface.
2. Place four spacers (150) over each of the mount holes on the back of the display (See Figure 11).



**Figure 11: Install Spacers and Screws**

3. Pick up and orient the mount (10) or arm assembly (30), as applicable, so that the mounting holes in the Centris bracket are aligned with the holes in the spacers (150) (See Figure 11).



**CAUTION:** Using screws of improper size may damage your display! Proper screws will easily and completely thread into display mounting holes.

4. Using Phillips screwdriver, install four screws (140) through the mounting holes/cutouts in Centris bracket, through the spacers (150), into the display (See Figure 11). Tighten all four screws (140). Do not overtighten!
5. For MSP-TDKCY220 Only: Repeat Steps 1-4 for second display.
6. Continue with "MOUNT INSTALLATION" (Edge or Grommet, as applicable).

**MOUNTS NOT REQUIRING SPACERS**

**IMPORTANT !** : If your display has a recessed mounting hole cavity, and the Centris bracket will not fit into that cavity (See Figure 11), then follow the "MOUNTS REQUIRING SPACERS" procedure.

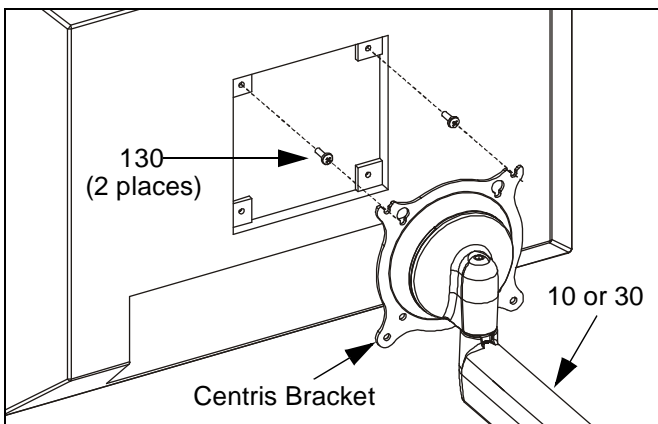


**CAUTION:** Using screws of improper size may damage your display! Proper screws will easily and completely thread into display mounting holes.



**CAUTION:** Inadequate thread engagement in display may cause display to fall! Back out screws **ONLY** as necessary to allow installation of Centris bracket!

1. Using Phillips screwdriver, carefully install two screws (130) into the *upper* mounting holes on the display (See Figure 12). Thread screws completely into display, then back out 3-1/2 turns.

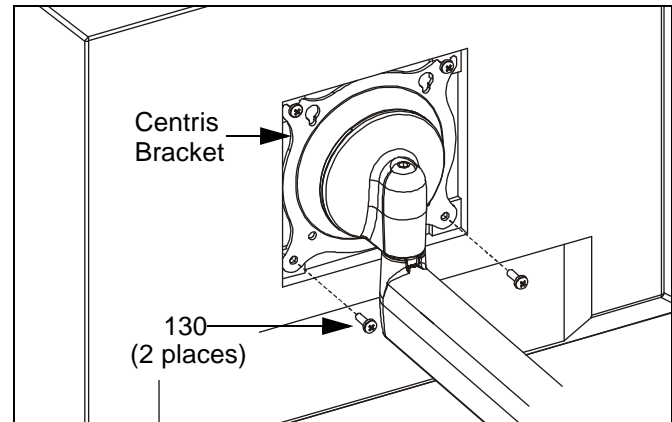


**Figure 12: Install Upper Screws and Display**

2. Pick up and align display so that screws (130) (installed in previous step) fit into the *upper* 100mm x 100mm mounting cutouts, or *upper* 75mm x 75mm mounting holes (as applicable) in Centris bracket (See Figure 12). Lower display firmly into place.

**NOTE:** Display will be hanging on upper two screws (130).

3. Using Phillips screwdriver, install two remaining screws (130) through the *lower* mounting holes in Centris bracket into the display (See Figure 13).



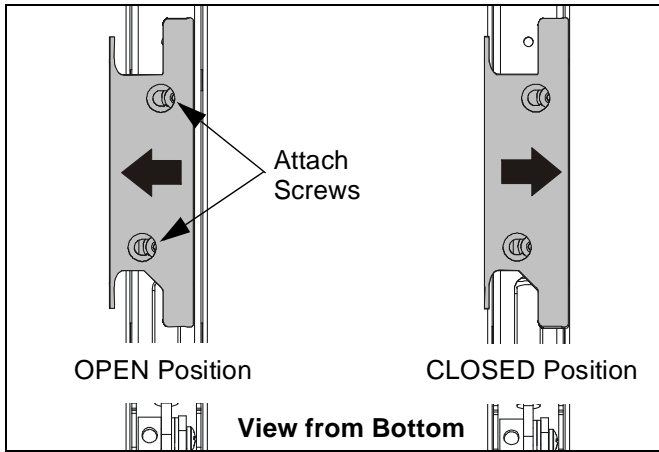
**Figure 13: Install Lower Screws**

4. Tighten all four screws (130). Do not overtighten!
5. For MSP-TDKCY220 Only: Repeat Steps 1-4 for second display.
6. Proceed to "CABLE MANAGEMENT."

**CABLE MANAGEMENT**

1. Attach all cables to display.
2. Open the cable management bracket by sliding it towards the edge of the arm (See Figure 14).

**NOTE:** If necessary, cable management bracket attach screws may be loosened using hex key (180).

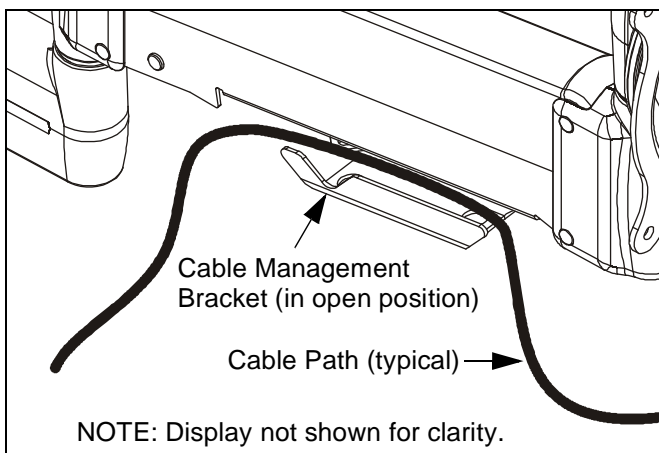


**Figure 14: Height Adjustable Arm - Cable Management Bracket**



**CAUTION:** Ensure that adequate cable slack exists for movement of display, and that cables will not be pinched when bracket is closed.

3. Carefully insert cables into bracket (See Figure 15).



**Figure 15: Height Adjustable Arm - Cable Path**

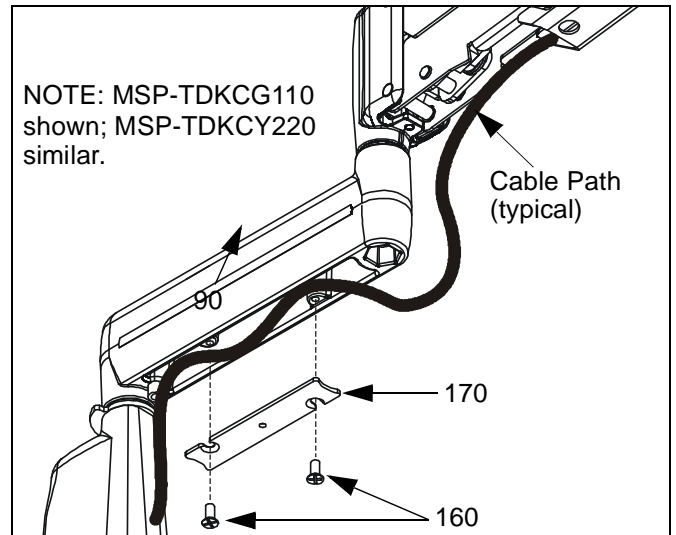
4. Close cable management bracket by sliding it back towards the centerline of the arm (See Figure 14).

**NOTE:** If necessary, cable management bracket attach screws may be tightened using hex key (180).



**CAUTION:** Ensure that adequate cable slack exists for movement of display, and that cables will not be pinched by installation of cover (90) or screws (80).

5. Carefully insert cables in cavity located in lower portion of mount arm (See Figure 16).
6. Using Phillips screwdriver, install cover (170) with two screws (160).



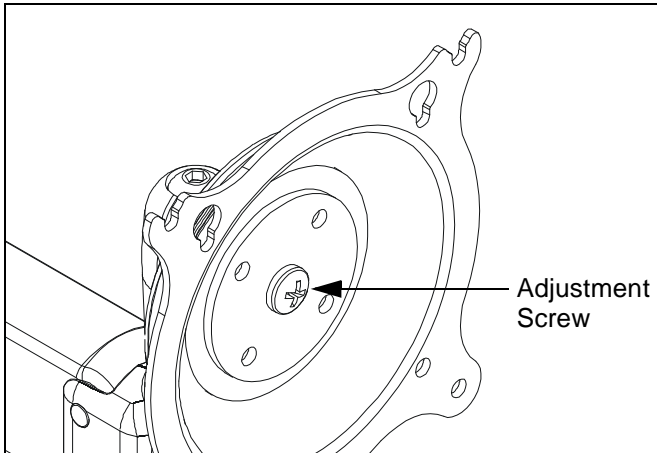
**Figure 16: Static Arm - Cable Path**

7. For MSP-TDKCY220 Only: Repeat Steps 1-7 for second display.
8. Installation is complete.

## ADJUSTMENT

### CENTRIS HEAD

1. If previously attached, disconnect cables from display, then remove display.
2. Using Phillips screwdriver, slightly loosen or tighten adjustment screw as necessary (See Figure 17).



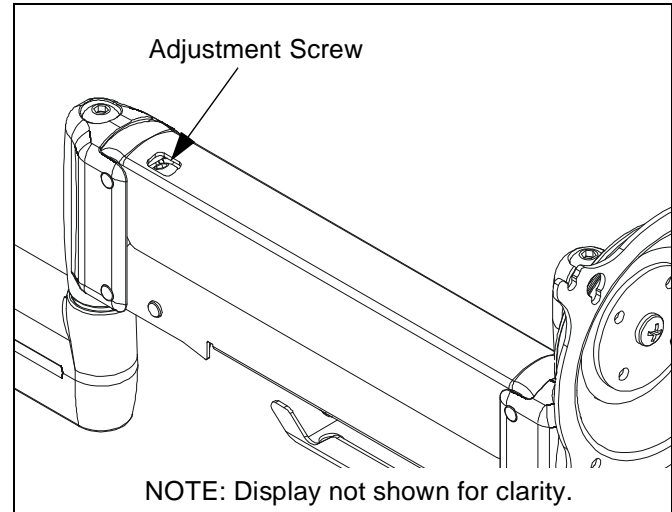
**Figure 17: Centris Head Adjustment**

3. Install mount and then display cables. See "DISPLAY INSTALLATION."

### HEIGHT ADJUSTABLE

1. Using key (200), slightly loosen or tighten the adjustment screw as necessary (See Figure 19).
  - If display settles on its own, then rotate adjustment screw counterclockwise (towards the "+" symbol).
  - If display rises on its own, then rotate adjustment screw clockwise (towards the "-" symbol).

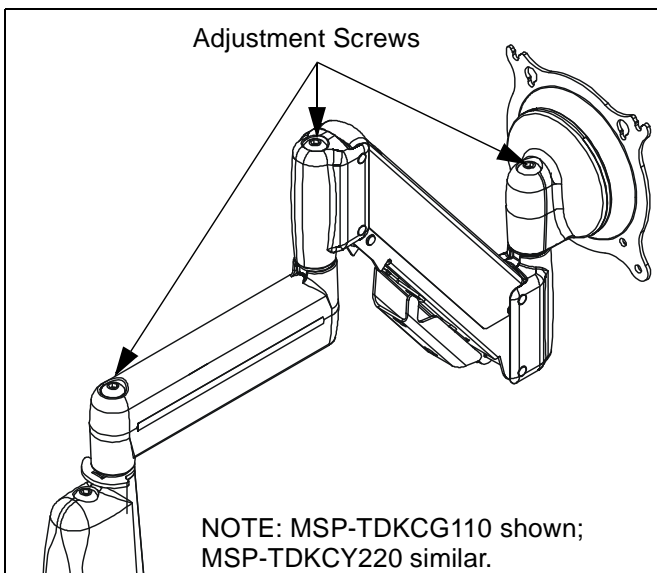
**NOTE:** It may be necessary to raise or lower the height adjustable arm to expose the adjustment screw.



**Figure 19: Height Adjustment**

### PIVOT/SWING

1. Using key (210), slightly loosen or tighten the adjustment screw(s) as necessary (See Figure 18).



**Figure 18: Pivot/Swing Adjustment**