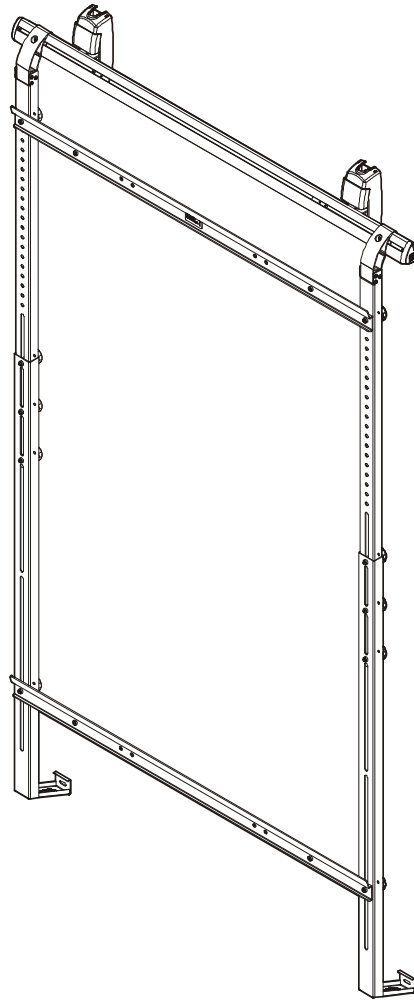

INSTALLATION INSTRUCTIONS



Telescoping Leg Interactive Whiteboard Mount with Hanger Bracket

DISCLAIMER

Milestone AV Technologies and its affiliated corporations and subsidiaries (collectively "Milestone"), intend to make this manual accurate and complete. However, Milestone makes no claim that the information contained herein covers all details, conditions or variations, nor does it provide for every possible contingency in connection with the installation or use of this product. The information contained in this document is subject to change without notice or obligation of any kind. Milestone makes no representation of warranty, expressed or implied, regarding the information contained herein. Milestone assumes no responsibility for accuracy, completeness or sufficiency of the information contained in this document.

Chief® is a registered trademark of Milestone AV Technologies. All rights reserved.



IMPORTANT SAFETY INSTRUCTIONS



WARNING: A WARNING alerts you to the possibility of serious injury or death if you do not follow the instructions.



CAUTION: A CAUTION alerts you to the possibility of damage or destruction of equipment if you do not follow the corresponding instructions.



WARNING: Failure to read, thoroughly understand, and follow all instructions can result in serious personal injury, damage to equipment, or voiding of factory warranty! It is the installer's responsibility to make sure all components are properly assembled and installed using the instructions provided.



WARNING: Failure to provide adequate structural strength for this component can result in serious personal injury or damage to equipment! It is the installer's responsibility to make sure the structure to which this component is attached can support five times the combined weight of all equipment. Reinforce the structure as required before installing the component. The wall to which the mount is being attached may have a maximum drywall thickness of 5/8" (wood stud or concrete installations).



WARNING: Exceeding the weight capacity can result in serious personal injury or damage to equipment! It is the installer's responsibility to make sure the combined weight of all components located on the MSP-TEQ9 does not exceed 125 lbs (56.7 kg).



WARNING: Use this mounting system only for its intended use as described in these instructions. Do not use attachments not recommended by the manufacturer.



WARNING: Never operate this mounting system if it is damaged. Return the mounting system to a service center for examination and repair.

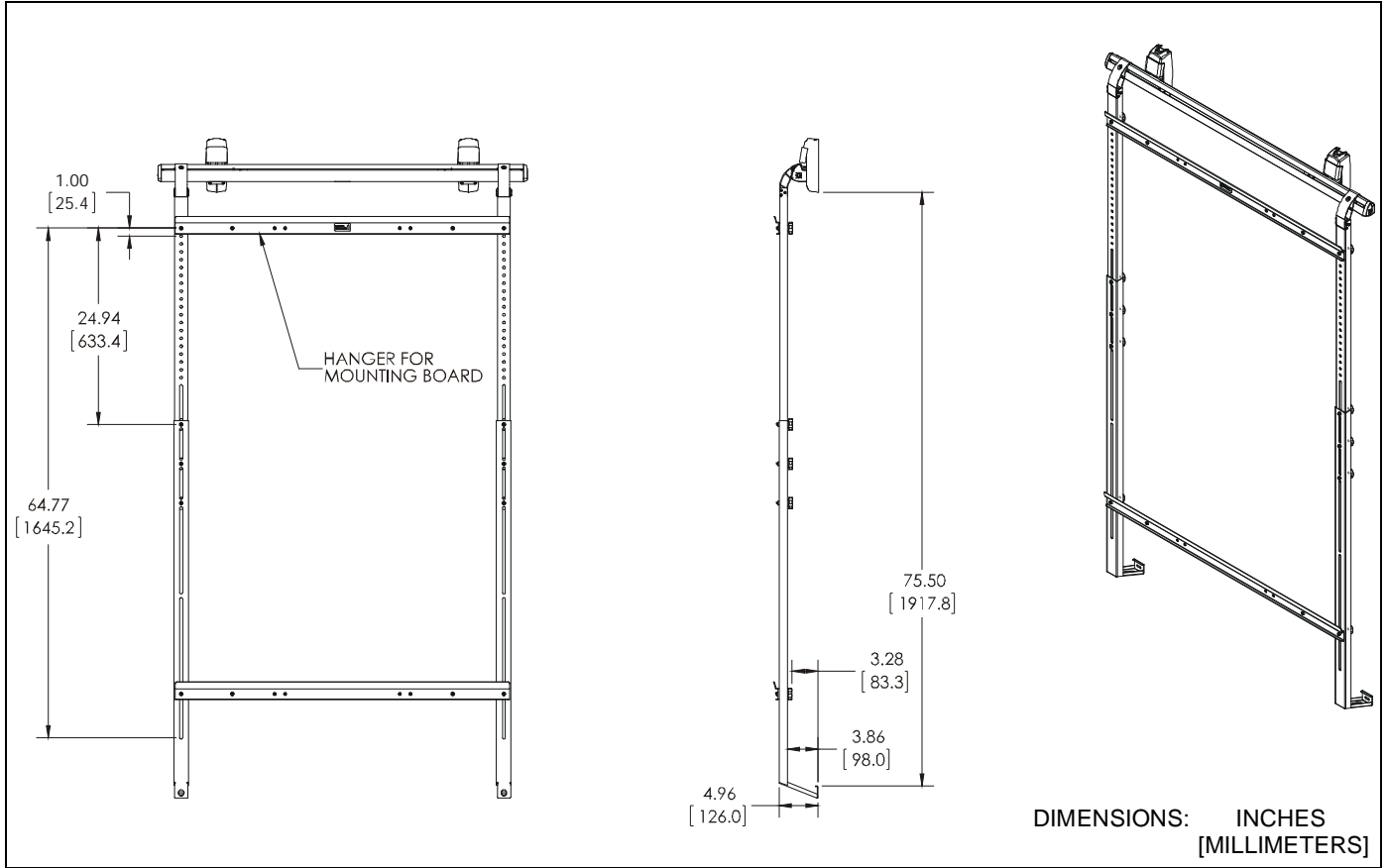


WARNING: Do not use this product outdoors.

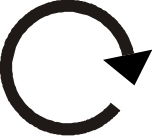






IMPORTANT ! : The MSP-TEQ9 has been designed to be mounted onto either a 2" x 4" wood stud wall, an 8" concrete wall, or an 8" x 8" x 16" concrete block wall.

--SAVE THESE INSTRUCTIONS--

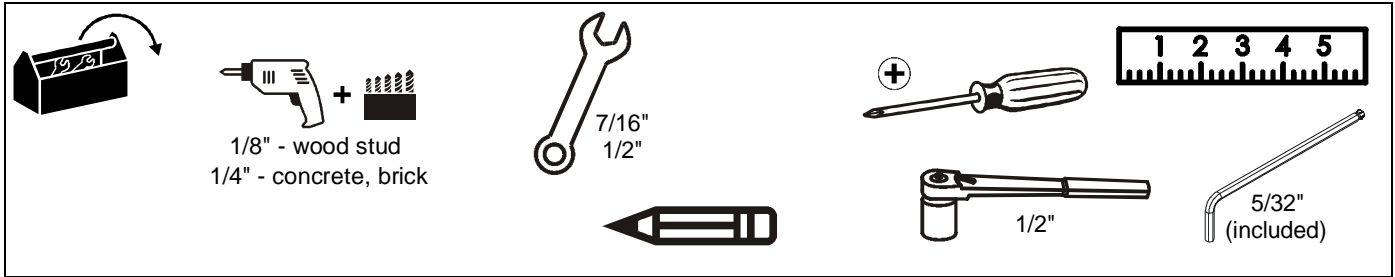
DIMENSIONS



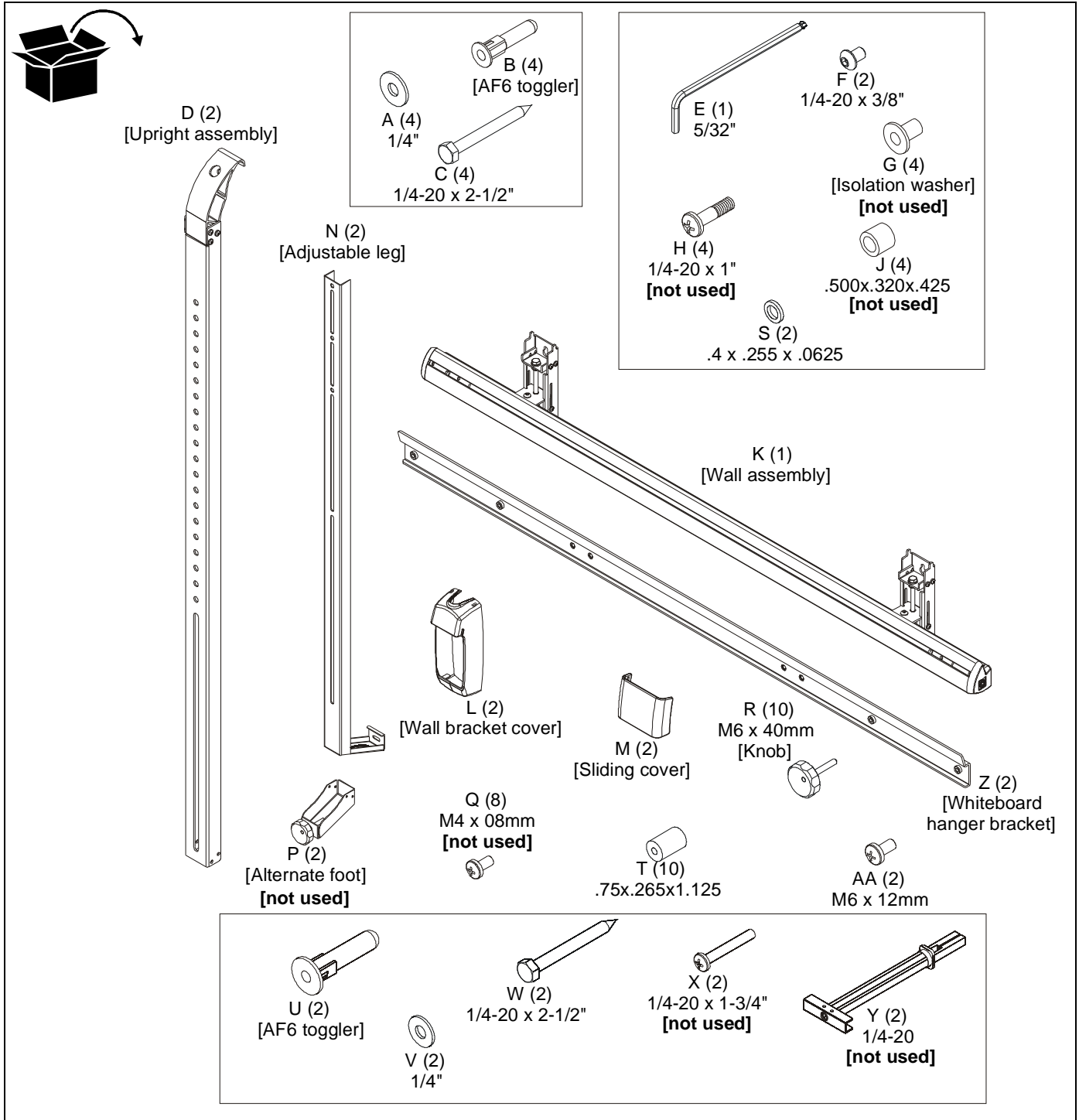
LEGEND

	Tighten Fastener Apretar elemento de fijación Befestigungsteil festziehen Apertar fixador Serrare il fissaggio Bevestiging vastdraaien Serrez les fixations		Pencil Mark Marcar con lápiz Stiftmarkierung Marcar com lápis Segno a matita Potloodmerkten Marquage au crayon
	Loosen Fastener Aflojar elemento de fijación Befestigungsteil lösen Desapertar fixador Allentare il fissaggio Bevestiging losdraaien Desserrez les fixations		Drill Hole Perforar Bohrloch Fazer furo Praticare un foro Gat boren Percez un trou
	Phillips Screwdriver Destornillador Phillips Kreuzschlitzschraubendreher Chave de fendas Phillips Cacciavite a stella Kruiskopschroevendraaier Tournevis à pointe cruciforme		Hex-Head Wrench Llave de cabeza hexagonal Sechskantschlüssel Chave de cabeça sextavada Chiave esagonale Zeskantsleutel Clé à tête hexagonale
	Open-Ended Wrench Llave de boca Gabelschlüssel Chave de bocas Chiave a punte aperte Steeksleutel Clé à fourche		

TOOLS REQUIRED FOR INSTALLATION



PARTS



ASSEMBLY AND INSTALLATION

The MSP-TEQ9 will allow an interactive whiteboard to be installed over an existing chalkboard or whiteboard. The MSP-TEQ9 has telescoping legs which allows it to be anchored above and below the existing chalkboard or whiteboard, or anchored above the existing chalkboard or whiteboard with the lower extension resting against the existing board.

Assembling MSP-TEQ9 Legs

1. Slide adjustable leg (N) up over bottom of upright assembly (D). (See Figure 1)
2. Adjust leg (N) as necessary to set the correct length of entire leg assembly. (See Figure 1)
3. Fasten adjustable leg (N) in place using three knobs (R) and three 0.75x.265x1.125 spacers (T). (See Figure 1)

NOTE: Three knobs and spacers should be used on each leg assembly. If necessary, two knobs may be used, **at a minimum**.

4. Repeat Steps 1 through 3 on the other upright assembly (D).

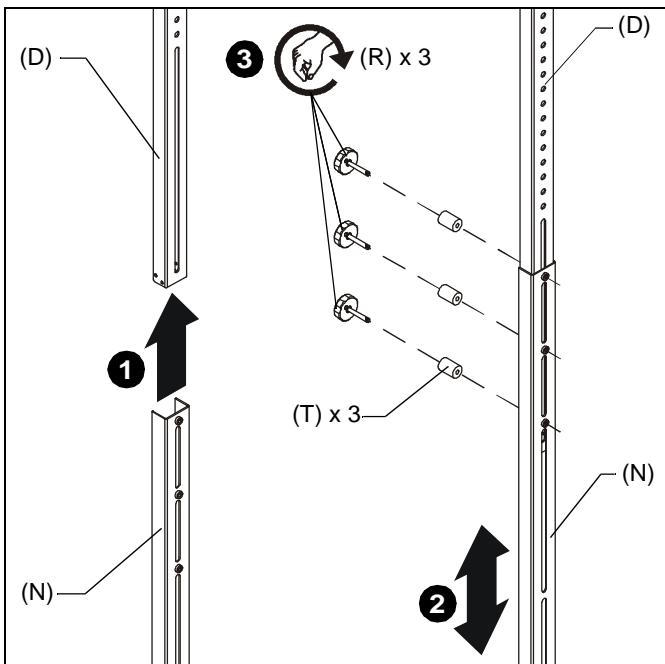


Figure 1

Assembling Brackets to Legs

1. Lay two upright assemblies (D) on floor along side of whiteboard.
2. Determine where to fasten upper whiteboard hanger bracket (Z) to upright assemblies (D).
3. Fasten one whiteboard hanger bracket (Z) in upper position using one knob (R) and one 0.75x.265x1.125 spacer (T) on each upright assembly (D). (See Figure 2)

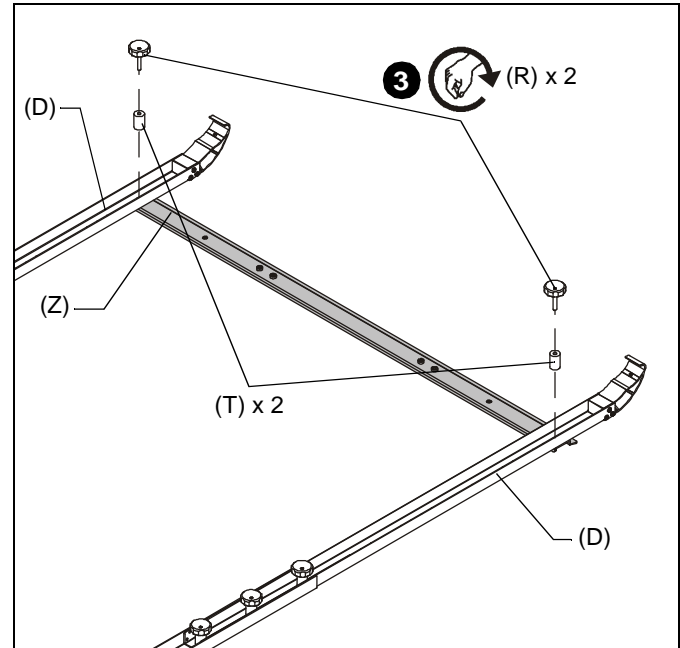


Figure 2

4. Fasten one whiteboard hanger bracket (Z) near lowest position of upright assembly (D) using one knob (R) and one 0.75x.265x1.125 spacer (T) on each adjustable leg (N) at bottom of upright assembly (D). (See Figure 4)

NOTE: The length of the assembly will be adjusted in a later step.

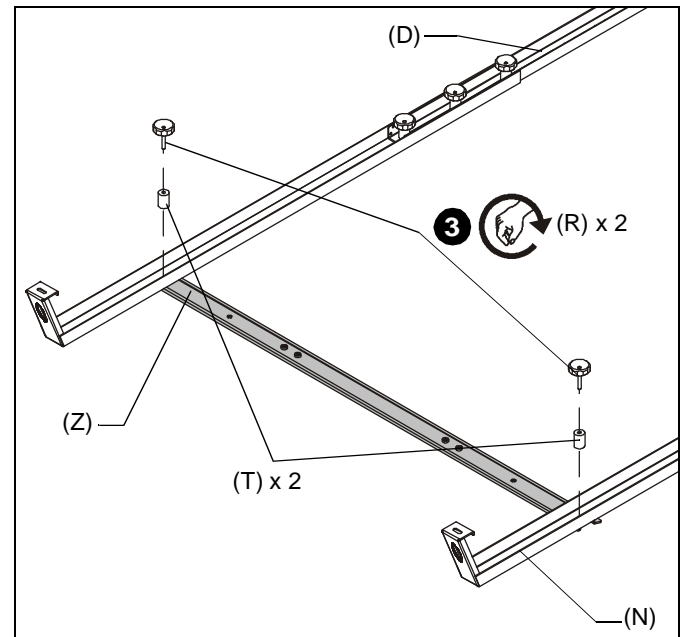


Figure 3

Locate Mounting Site



WARNING: IMPROPER INSTALLATION CAN LEAD TO MOUNT FALLING CAUSING SEVERE PERSONAL INJURY OR DAMAGE TO EQUIPMENT! It is the installers responsibility to make certain the structure to which the mount is being attached is capable of supporting five times the weight of the MSP-TEQ9 and all attached equipment not to exceed 125 lbs (56.7 kg).

Adjusting Wall Brackets for Installation

NOTE: The wall brackets on the wall assembly may be adjusted to suit installation needs, but must be spaced a **minimum** of 16" apart.

1. Slide wall brackets along wall assembly (K). (See Figure 4)
2. Tighten button head cap screw on each wall bracket to secure wall brackets to wall assembly. (See Figure 4)

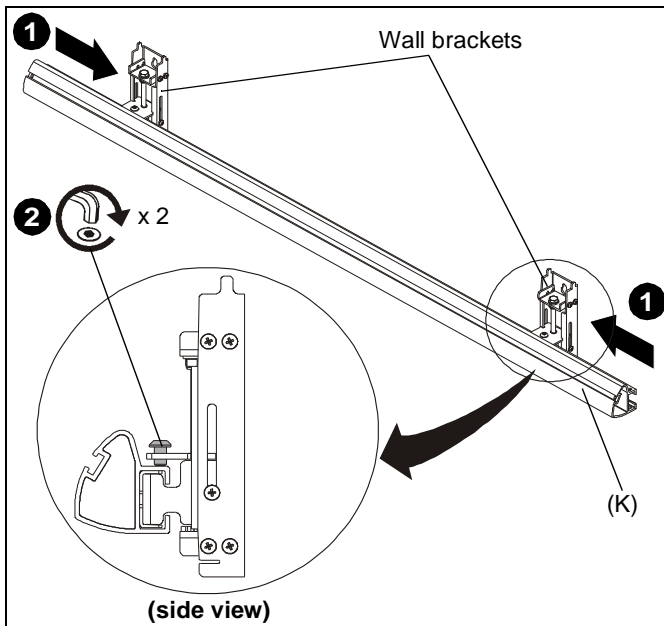


Figure 4

NOTE: Proceed to the **Installing to a Wood Stud Wall** section, or the **Installing to a Concrete or Concrete Block Wall** section, as appropriate.

Installing to a Wood Stud Wall

1. Determine the center of the chalkboard.
2. Locate the closest 2" x 4" wood stud to the left and right of the selected location.

NOTE: The two wall brackets on the wall assembly (K) must be mounted a **minimum** of 16" apart, or a **maximum** of 42" apart.

3. Using a level, mark the wall on each stud above existing chalkboard through **top** mounting hole in the wall assembly (K). (See Figure 5)
4. Drill one 1/8" pilot hole in each stud. (See Figure 5)

5. Use two 1/4-20 x 2-1/2" lag bolts (C) and two 1/4" flat washers (A) to attach wall assembly (K) to wall. (See Figure 5)
6. Mark the wall through the **lower** mounting hole in the wall assembly (K). (See Figure 5)
7. Drill one 1/8" pilot hole in each stud through lower mounting hole in wall assembly (K). (See Figure 5)
8. Use two 1/4-20 x 2-1/2" lag bolts (C) and two 1/4" flat washers (A) to complete attaching wall assembly (K) to wall. (See Figure 5)

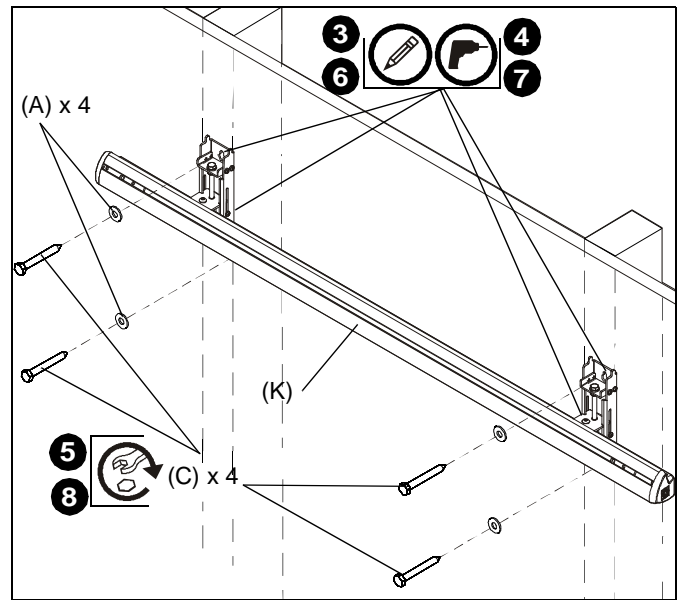


Figure 5

Installing to a Concrete or Concrete Block Wall

NOTE: The MSP-TEQ9 may be attached to an 8" concrete wall or an 8" x 8" x 16" concrete block wall.

1. Determine the center of the chalkboard.

NOTE: The two MSP-TEQ9 wall brackets on the wall assembly (K) must be mounted a **minimum** of 16" apart, or a **maximum** of 42" apart.

- Using a level, mark the wall above existing chalkboard through top mounting hole in the wall assembly (K). (See Figure 6)

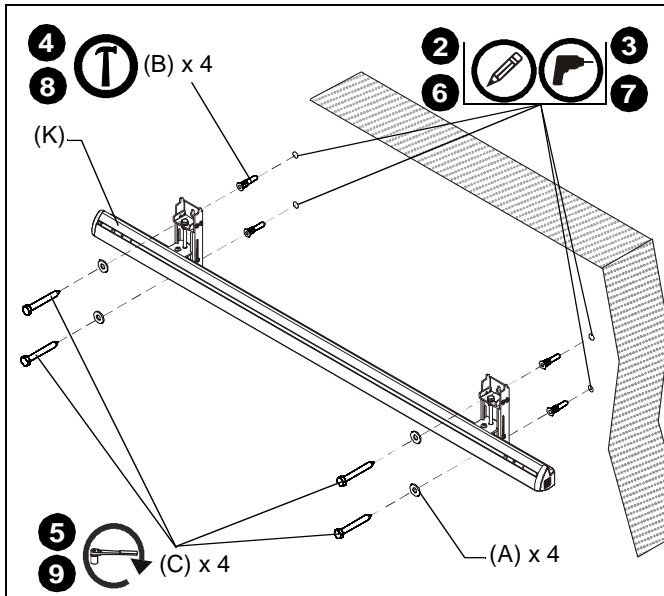


Figure 6

- Drill one 1/4" x 2-3/4" pilot hole at each marking. (See Figure 6)
- Install a toggler (B) into each pilot hole using a hammer. (See Figure 6)
- Use two 1/4-20 x 2-1/2" lag bolts (C) and two 1/4" flat washers (A) to attach wall assembly (K) to anchors in wall. (See Figure 6)
- Mark the wall through the lower mounting hole in the wall assembly (K). (See Figure 6)
- Drill one 1/4" x 2-3/4" pilot hole at each marking through lower mounting hole in wall assembly (K). (See Figure 6)
- Install a toggler (B) into each pilot hole using a hammer. (See Figure 6)
- Use two 1/4-20 x 2-1/2" lag bolts (C) and two 1/4" flat washers (A) to attach wall assembly (K) to anchors in wall. (See Figure 6)

Attaching Upright Assemblies to Wall Assembly

- Hook upright assemblies (D) with attached whiteboard hanger brackets (Z) onto the wall assembly (K). (See Figure 7)
- Move the slide nut so that it is aligned with one upright (D). (See Figure 7)
- Fasten upright in place using one 1/4-20 x 3/8" button head cap screw (F) and one .4"x.255"x.0625" nylon spacer (S) into slide nut. (See Figure 7)
- Repeat Steps 2 and 3 for other side of wall assembly.

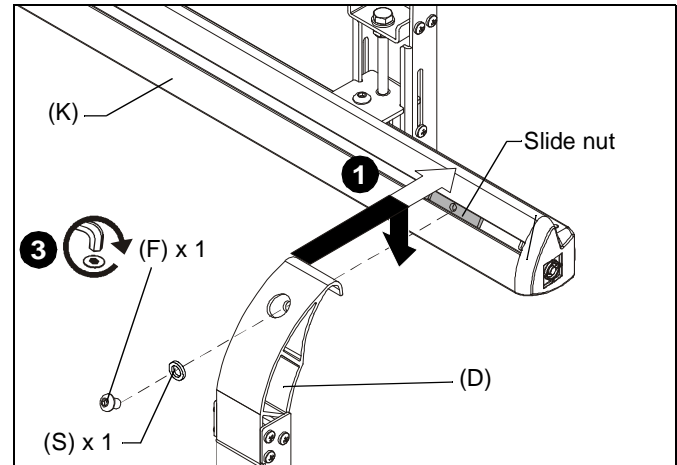


Figure 7

Attaching Whiteboard to Mount

- Attach whiteboard to MSP-TEQ9 by hanging it on the upper whiteboard hanger bracket using bracket already located on back of whiteboard. (See Figure 8)

IMPORTANT ! : The whiteboard must be centered on the whiteboard hanger bracket. If horizontal adjustment is required, the entire whiteboard and upright assembly may be moved along the wall assembly. (See **Adjustments** section)

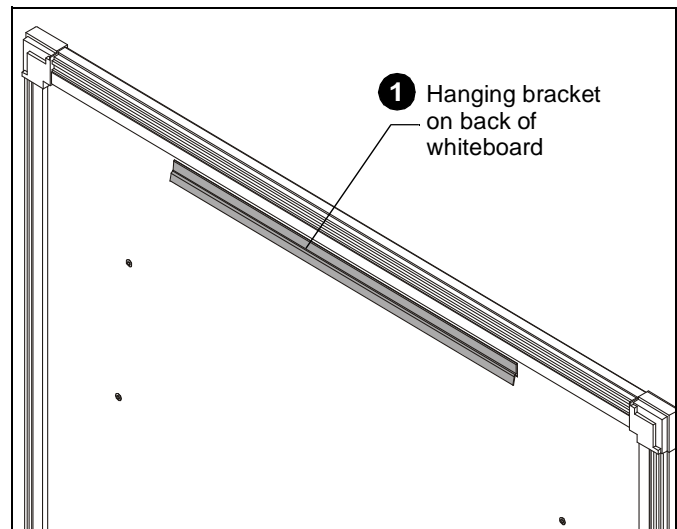


Figure 8

2. After whiteboard and complete upright assembly is in place, loosen three knobs on each side of assembly and raise/lower adjustable legs so that fastener holes in lower whiteboard hanger bracket (Z) match up with mounting holes in lower tabs of whiteboard. (See Figure 9)
3. Tighten all knobs. (See Figure 9)
4. Fasten bottom of whiteboard to lower whiteboard hanger bracket (Z) using two M6 x 12mm Phillips screws (AA) through tabs at bottom of whiteboard into front of whiteboard hanger bracket (Z). (See Figure 9)

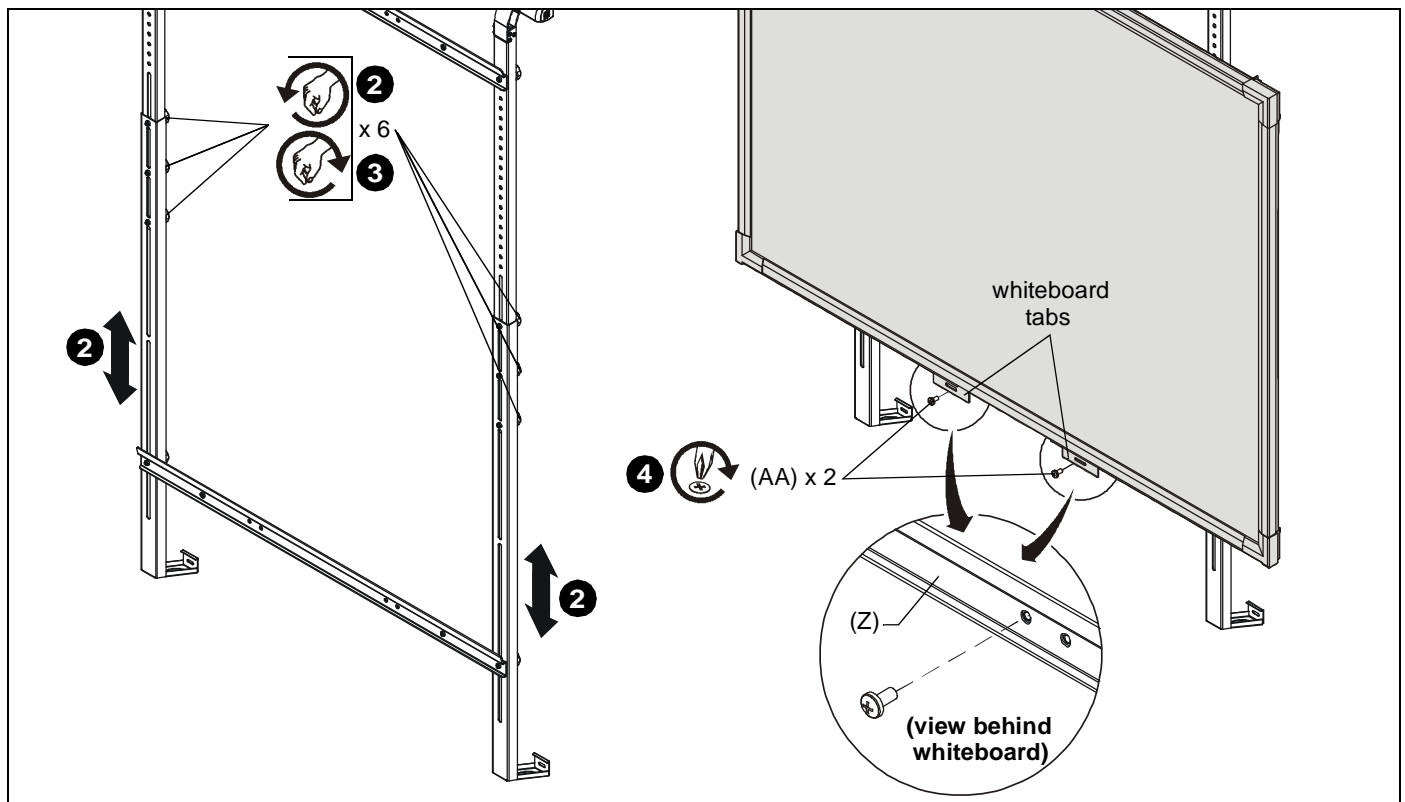


Figure 9

Adjustments

NOTE: Remove whiteboard to allow easier access to adjustment points.

Lateral Movement

1. Loosen, but do NOT remove, one button head cap screw at top of each upright assembly (D). (See Figure 10)
2. Slide upright assembly on wall assembly (K), as necessary. (See Figure 10)
3. Tighten button head cap screw at top of each upright to fasten upright assembly into place. (See Figure 10)

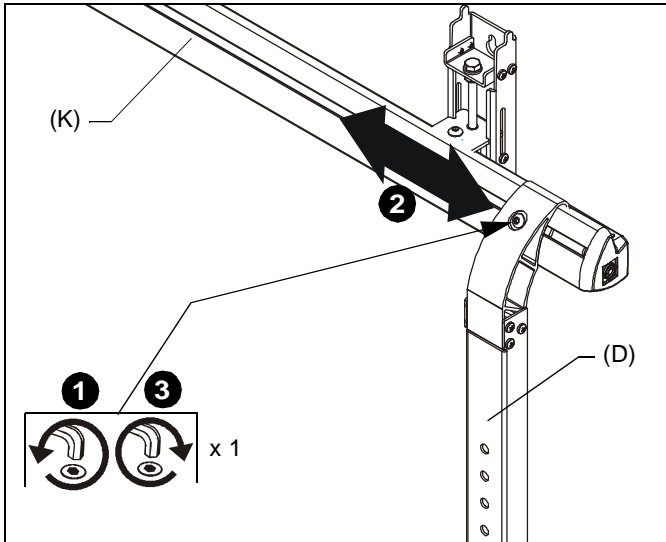


Figure 10

Micro Height Adjust and Leveling

1. The wall assembly (K) can be adjusted or leveled by turning the hex head bolt in the brackets. (See Figure 11)
 - Turn **clockwise** to raise wall assembly
 - Turn **counterclockwise** to lower wall assembly.

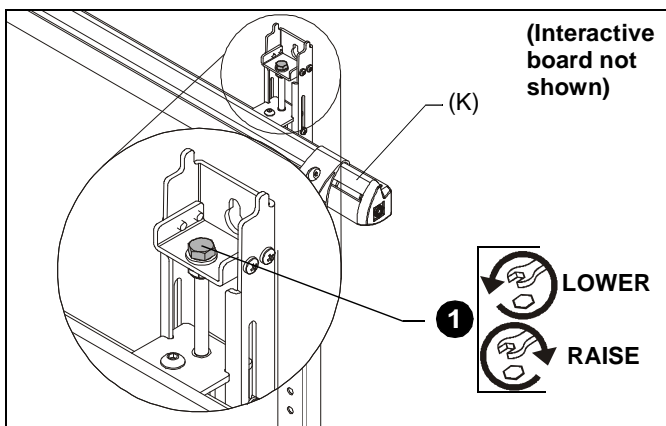


Figure 11

Completing Attachment to Wall

NOTE: See **Adjustments** section to make any necessary adjustments **BEFORE** completing attachment to wall.

NOTE: The lower part of the MSP-TEQ9 must be attached to the wall using the correct hardware for the wall type. It may be attached to a wood stud wall, or a concrete or concrete block wall. Proceed to appropriate section for instruction.

Wood Stud Wall

1. Mark the wall over wood stud through the adjustable leg (N) at the lower end of each upright assembly. (See Figure 12)
2. Adjust lower part of leg upward, or slide upright assembly left or right (see **Adjustments** section) to allow room to drill pilot hole.
3. Drill one 1/8" pilot hole in wood stud. (See Figure 12)
4. Return leg or upright assembly to position over pilot hole.
5. Use one 1/4-20 x 2-1/2" lag bolt (W) and one 1/4" flat washer (V) to attach adjustable leg (N) to wall. (See Figure 12)
6. Repeat Steps 2 through 5 for other upright assembly.

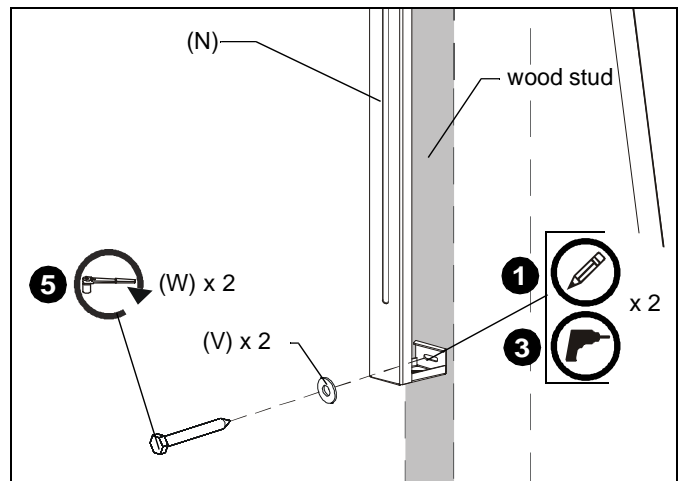


Figure 12

Concrete or Concrete Block Wall

1. Mark the wall through the adjustable leg (N) at the lower end of each upright assembly. (See Figure 13)
2. Adjust lower part of leg upward, or slide upright assembly left or right (see **Adjustments** section) to allow room to drill pilot hole.

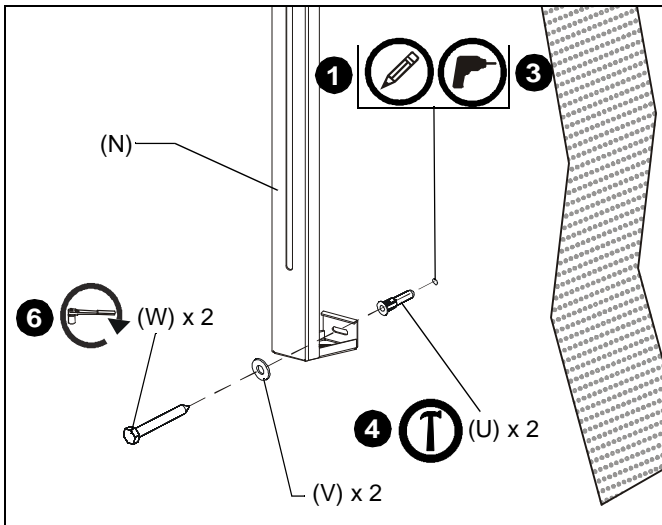


Figure 13

3. Drill one 1/4" x 2-3/4" pilot hole at marking. (See Figure 13)
4. Install a toggler (U) into pilot hole using a hammer. (See Figure 13)
5. Return leg or upright assembly to position over pilot hole.
6. Use one 1/4-20 x 2-1/2" lag bolt (W) and one 1/4" flat washer (V) to attach adjustable leg (N) to anchor in wall. (See Figure 13)
7. Repeat Steps 2 through 6 for other upright assembly.

Adding Covers

1. Open the lower flaps of the wall bracket cover (L) outward. (See Figure 14)
2. Slide the cover downward, hooking the top of the wall bracket covers (L) onto the tabs on top of wall assembly brackets. (See Figure 14)
3. Slide the lower flaps of the wall bracket cover (L) under the bottom of the wall assembly brackets (K). (See Figure 14)

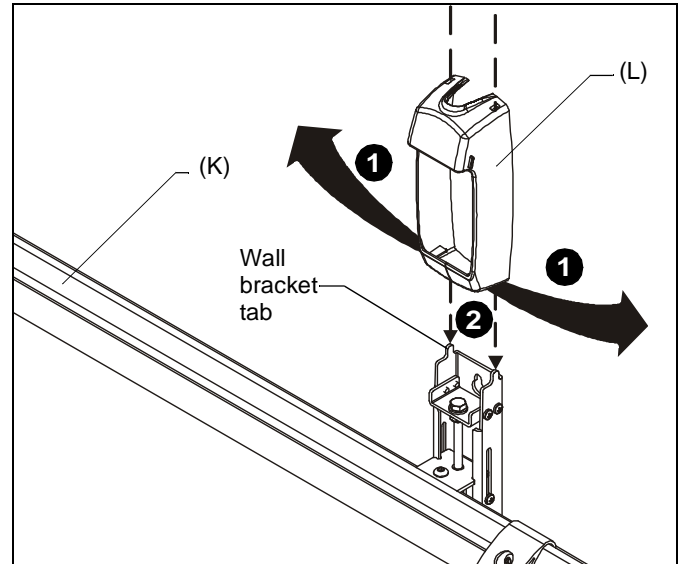


Figure 14

4. Slide the sliding cover (M) down over the wall bracket cover (L) on both wall assembly brackets. (See Figure 15)

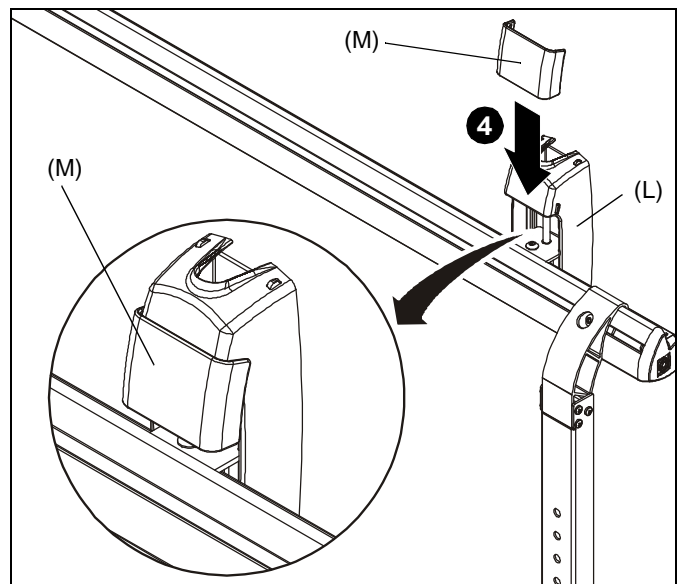


Figure 15



Our Mounts. **Your Vision.**

Chief Manufacturing, a products division
of Milestone AV Technologies

8800-002315 Rev00
©2013 Milestone AV Technologies, a
Duchossois Group Company
www.chiefmfg.com
02/13

USA/International	A 6436 City West Parkway, Eden Prairie, MN 55344 P 800.582.6480 / 952.225.6000 F 877.894.6918 / 952.894.6918
Europe	A Franklinstraat 14, 6003 DK Weert, Netherlands P +31 (0) 495 580 852 F +31 (0) 495 580 845
Asia Pacific	A Office No. 1 on 12/F, Shatin Galleria 18-24 Shan Mei Street Fotan, Shatin, Hong Kong P 852 2145 4099 F 852 2145 4477

