

# INSTALLATION INSTRUCTIONS

## MSP-TEQKIT1

**IMPORTANT ! :** The MSP-TEQKIT1 clamp kit may arrive either loosely installed on the RSM projector mount, **OR** as a separate clamp kit. Follow the appropriate instructions for its use.

### Clamp Arrives Installed on RSM

**NOTE:** If the RSM projector mount arrives with the clamp already loosely installed, it will appear as below. (See Figure 1)

1. Install RSM projector mount following instructions included with RSM.
2. Align projector following instructions included with RSM projector mount.
3. Tighten fasteners to attach clamp to RSM. (See Figure 1)

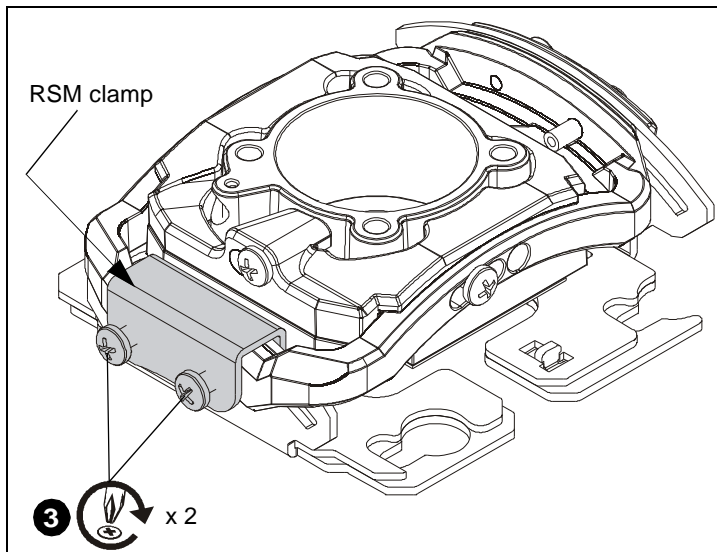


Figure 1

### Clamp Arrives Separate from RSM

**NOTE:** If the RSM projector mount has been shifted from center for projector alignment, move mount back to center before proceeding.

1. Install clamp over RSM projector mount. (See Figure 2)
- IMPORTANT ! :** Be sure the bracket slot fits over the curved guide on the RSM projector mount. (See Figure 2)
2. Check/correct projector alignment following instructions included with the RSM projector mount.
  3. Tighten fasteners to attach clamp to RSM. (See Figure 2)

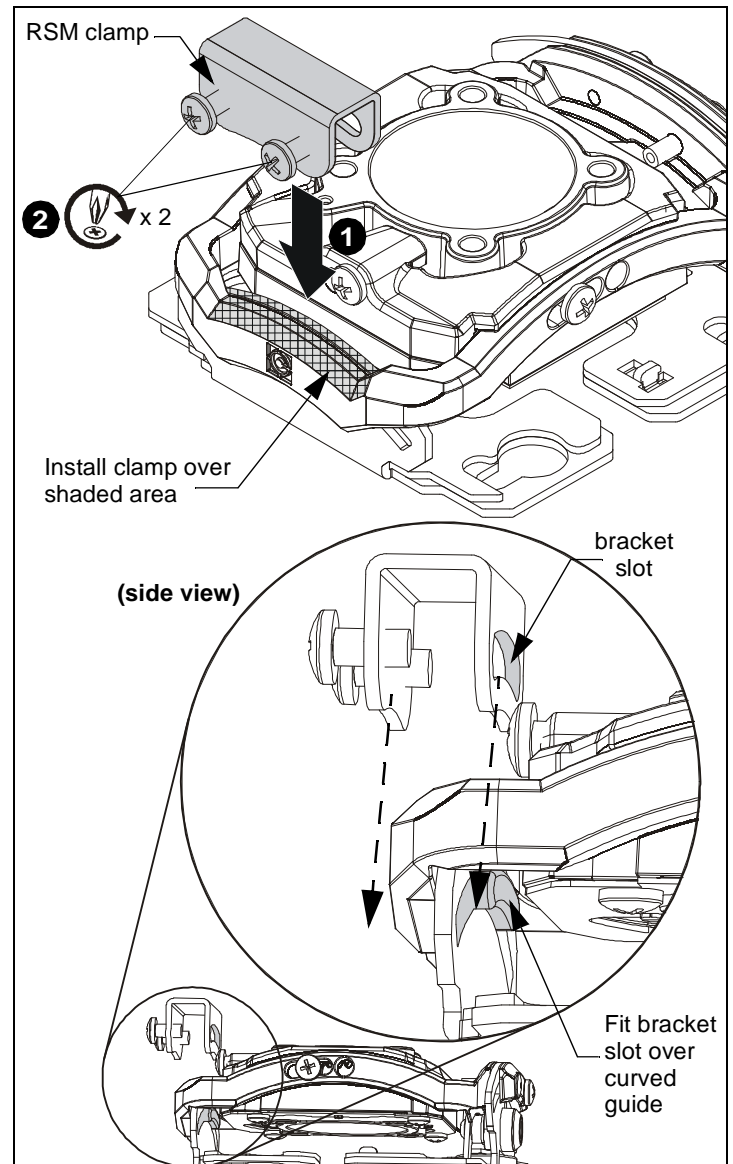


Figure 2



Milestone AV Technologies, and its affiliated corporations and subsidiaries (collectively, "Milestone"), intend to make this manual accurate and complete. However, Milestone makes no claim that the information contained herein covers all details, conditions or variations, nor does it provide for every possible contingency in connection with the installation or use of this product. The information contained in this document is subject to change without notice or obligation of any kind. Milestone makes no representation of warranty, expressed or implied, regarding the information contained herein. Milestone assumes no responsibility for accuracy, completeness or sufficiency of the information contained in this document.