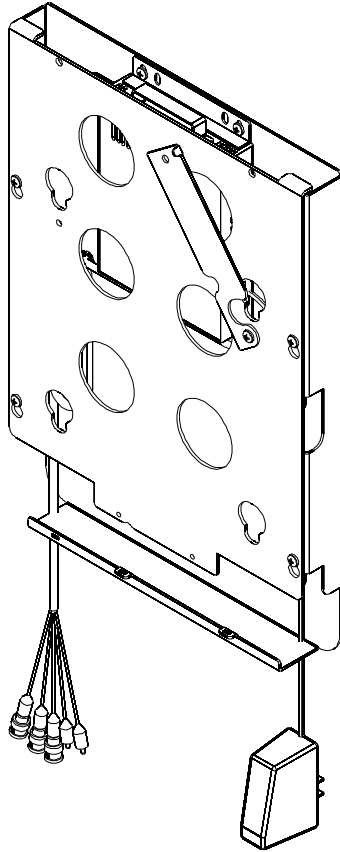


INSTALLATION INSTRUCTIONS



Flat Panel Mount

DISCLAIMER

Milestone AV Technologies, Inc., and its affiliated corporations and subsidiaries (collectively, "Milestone"), intend to make this manual accurate and complete. However, Milestone makes no claim that the information contained herein covers all details, conditions or variations, nor does it provide for every possible contingency in connection with the installation or use of this product. The information contained in this document is subject to change without notice or obligation of any kind. Milestone makes no representation of warranty, expressed or implied, regarding the information contained herein. Milestone assumes no responsibility for accuracy, completeness or sufficiency of the information contained in this document.

Chief® is a trademark of Milestone AV Technologies. All rights reserved.



WARNING: Failure to read, thoroughly understand, and follow all instructions can result in serious personal injury, damage to equipment, or voiding of factory warranty! It is the installer's responsibility to make sure all components are properly assembled and installed using the instructions provided.



WARNING: Failure to provide adequate structural strength for this component can result in serious personal injury or damage to equipment! It is the installer's responsibility to make sure the structure to which this component is attached can support five times the combined weight of all equipment. Reinforce the structure as required before installing the component.



WARNING: Exceeding the weight capacity can result in serious personal injury or damage to equipment! It is the installer's responsibility to make sure the combined weight of all components attached to this accessory does not exceed 125 lbs (56.7 kg).



IMPORTANT WARNINGS AND CAUTIONS!

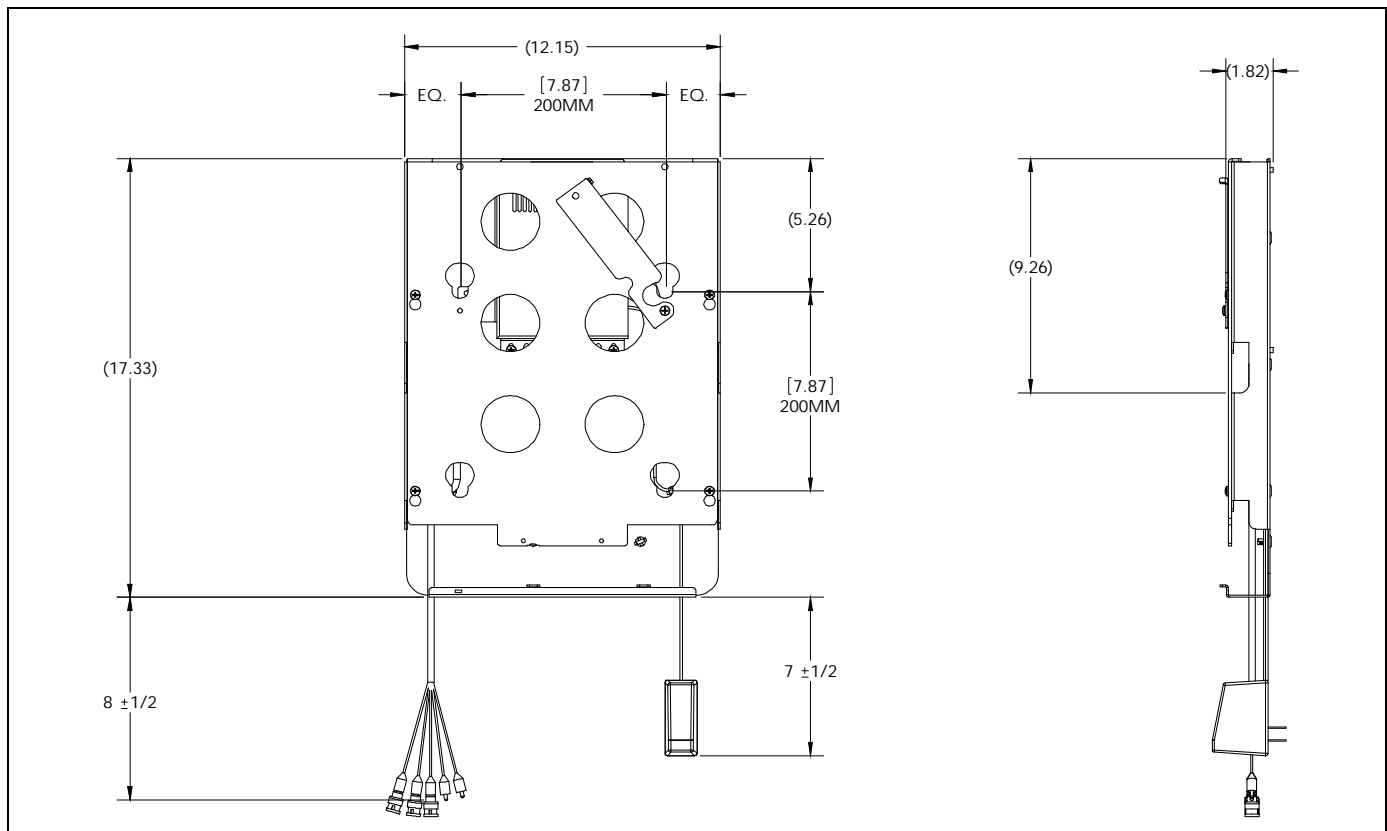


WARNING: A WARNING alerts you to the possibility of serious injury or death if you do not follow the instructions.



CAUTION: A CAUTION alerts you to the possibility of damage or destruction of equipment if you do not follow the corresponding instructions.

DIMENSIONS



LEGEND

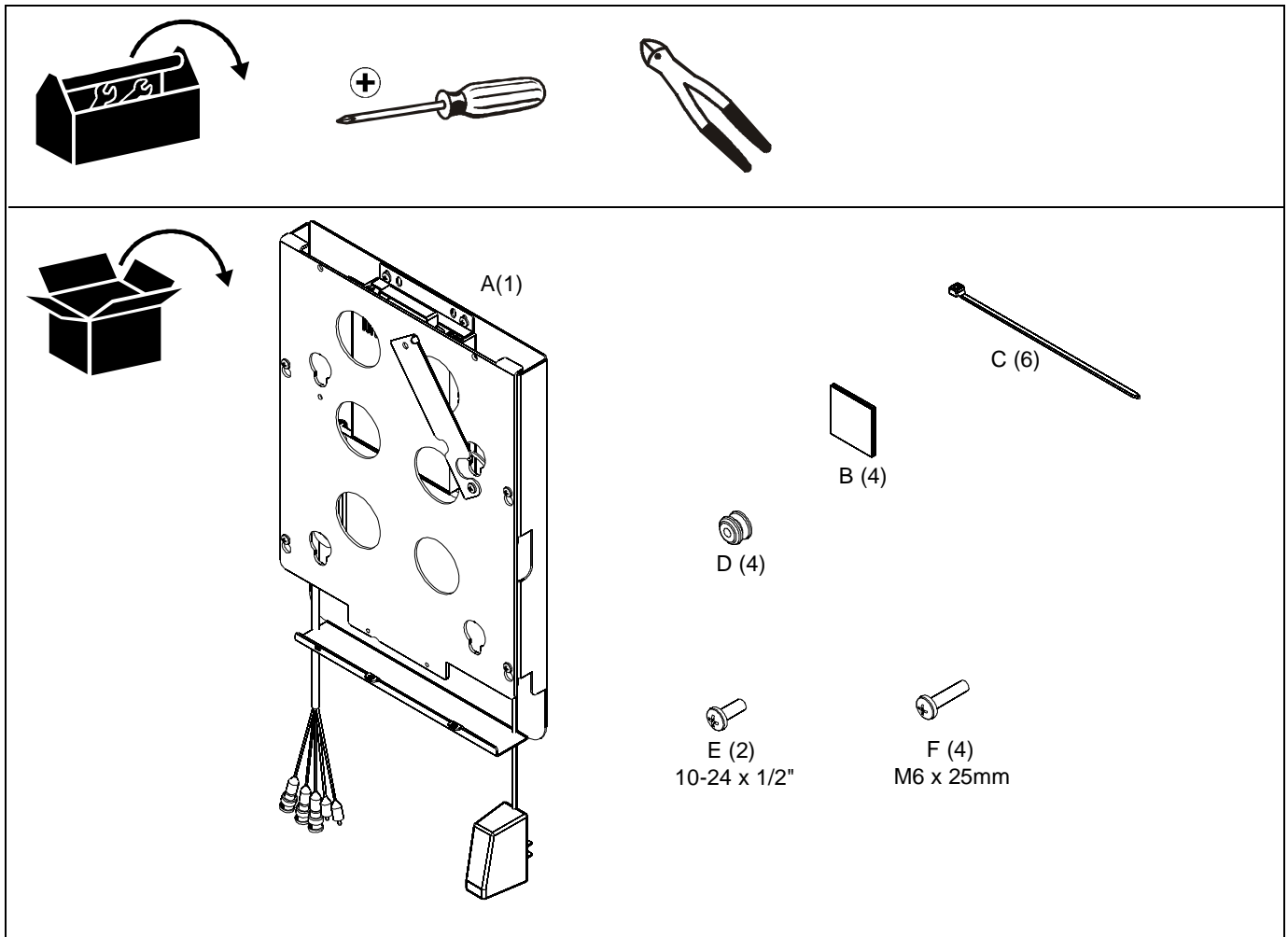
Tighten Fastener	
Apretar elemento de fijación	Stram fastspændingsbeslag
Befestigungsteil festziehen	Skruva åt fäste
Apertar fixador	Kiristä kiinnike
Serrare il fissaggio	Dokręcić element mocujący
Bevestiging vastdraaien	Σφίξιμο Συνδέσμου
Serrez les fixations	Bağlantıyı Sıkıştırın
Сожмите Застежку	Rögzítő meghúzásá

Phillips Screwdriver	
Destornillador Phillips	Stjerneskuetrækker
Kreuzschlitzschraubendreher	Krysskrummejsel
Chave de fendas Phillips	Ristipääruuviavain
Cacciavite a stella	Śrubokręt krzyżakowy
Kruiskopschroevendraaier	Κατσαβίδι Phillips
Tournevis à pointe cruciforme	Phillips Tornavida
Отвертка	Csillagfejű csavarhúzó

Loosen Fastener	
Aflojar elemento de fijación	Løsgør fastspændingsbeslag
Befestigungsteil lösen	Lossa fäste
Desapertar fixador	Irrota kiinnike
Allentare il fissaggio	Poluzować element mocujący
Bevestiging losdraaien	Χαλάρωση Συνδέσμου
Desserrez les fixations	Bağlantıyı Gevşetin
Ослабьте Застежку	Rögzítő kilazításá

Hex-Head Wrench	
Llave de cabeza hexagonal	Sekskantet skruenøgle
Sechskantschlüssel	Insexnyckel
Chave de cabeça sextavada	Kuusiokoloavain
Chiave esagonale	Klucz z łbem sześciokątnym
Zeskantsleutel	Κλειδί εξαγωνικής κεφαλής
Clé à tête hexagonale	Altıgen Kafalı (Allen) Anahtar
Главный ведемой Рывок	Hatszögfejű kulcs

TOOLS REQUIRED FOR INSTALLATION AND PARTS



Assembly And Installation

1. Identify desired mounting location.
2. Loosen four Phillips pan head screws securing faceplate to mount assembly. (See Figure 1)
3. Slide faceplate away from four Phillips pan head screws and lift off of mount assembly (A). (See Figure 1)

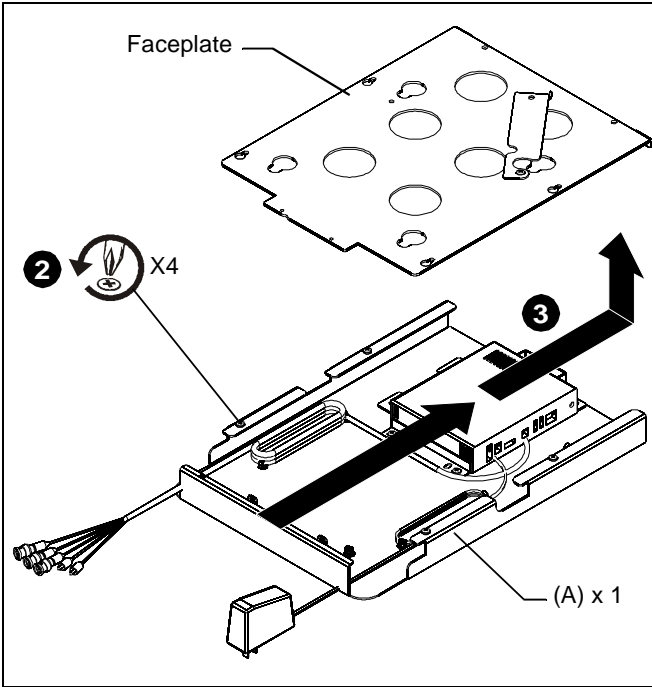


Figure 1

4. Orient mount as shown in figure below and hang mount assembly (A) on upper and lower mounting rails. (See Figure 2)

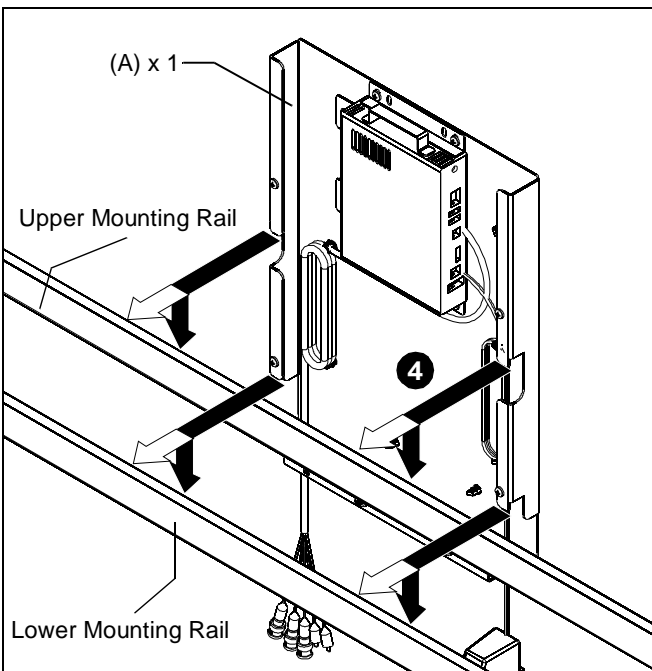


Figure 2

5. Orient power strip as shown below with outlets facing outward and slide power strip into place. (See Figure 3)

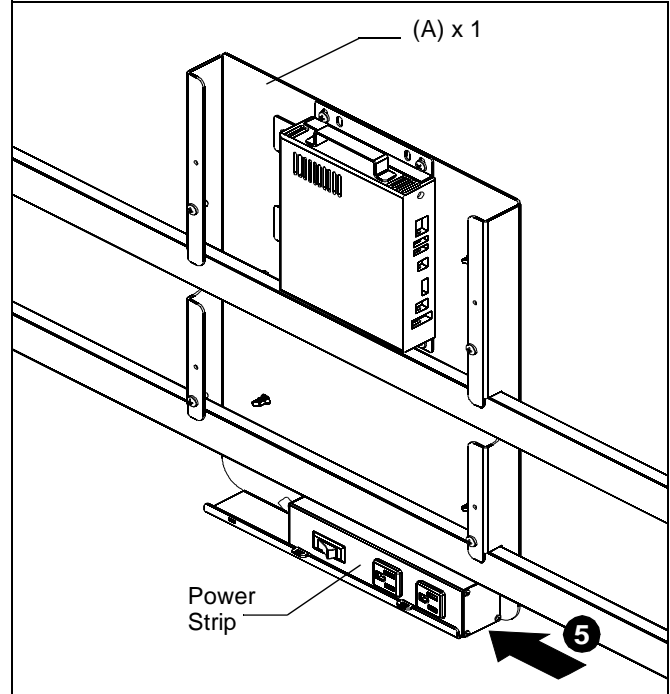


Figure 3

6. Secure power strip by feeding a cable tie (C) through each fastener on mount assembly (A). (See Figure 4)
7. Attach an additional cable tie (C) to each installed cable tie, zip together tightly, and use wire cutter to remove excess cable tie length. (See Figure 4)

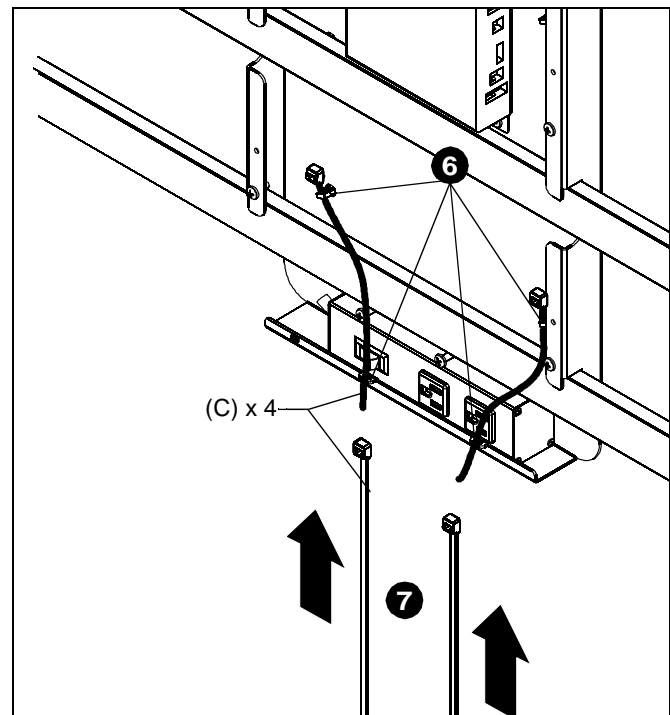


Figure 4

8. Install mounting buttons to display using four mounting buttons (D) and four M6 x 25mm Phillips pan head screws (F). (See Figure 5)

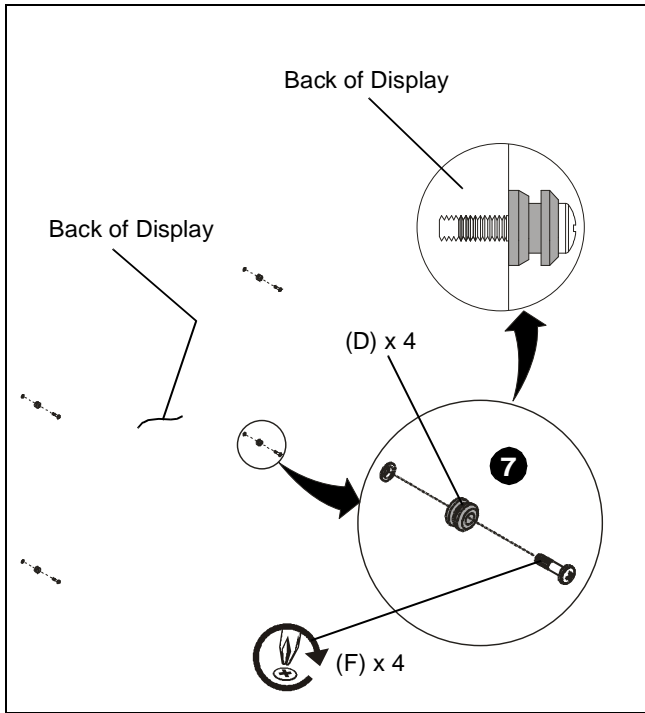


Figure 5

9. Re-install faceplate to mount assembly (A) by hanging faceplate on four Phillips pan head screws. Make sure screws are seated in teardrop mounting holes, and tighten all screws. (See Figure 6)

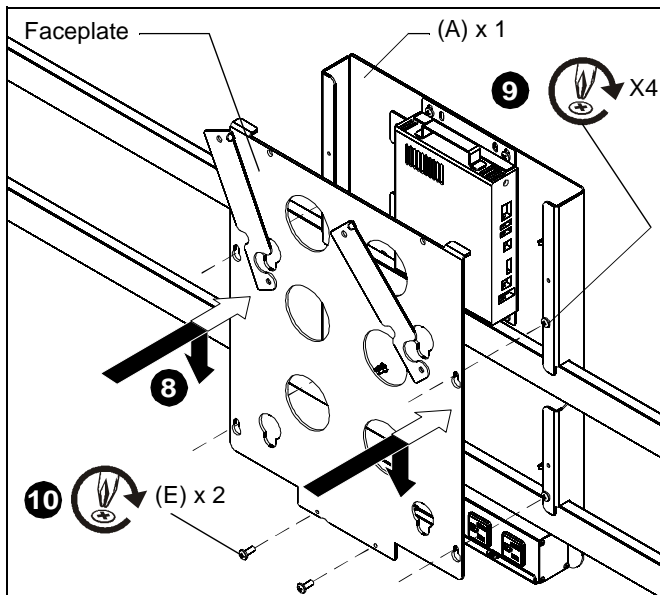


Figure 6

10. Install and tighten two 10-24 x 1/2" Phillips head screws (E) through bottom of faceplate. (See Figure 6)

11. Route wires and cables from display to appropriate locations.
12. Verify latching flag is in the OPEN position. (See Figure 7)
13. Align four mounting buttons (D) with four teardrop mounting holes in faceplate. (See Figure 7)
14. Insert four mounting buttons (D) into four teardrop mounting holes in faceplate and lower display until mounting buttons are properly seated in lower area of teardrop mounting holes. (See Figure 7)
15. Move latching flag to the CLOSED position. (See Figure 7)

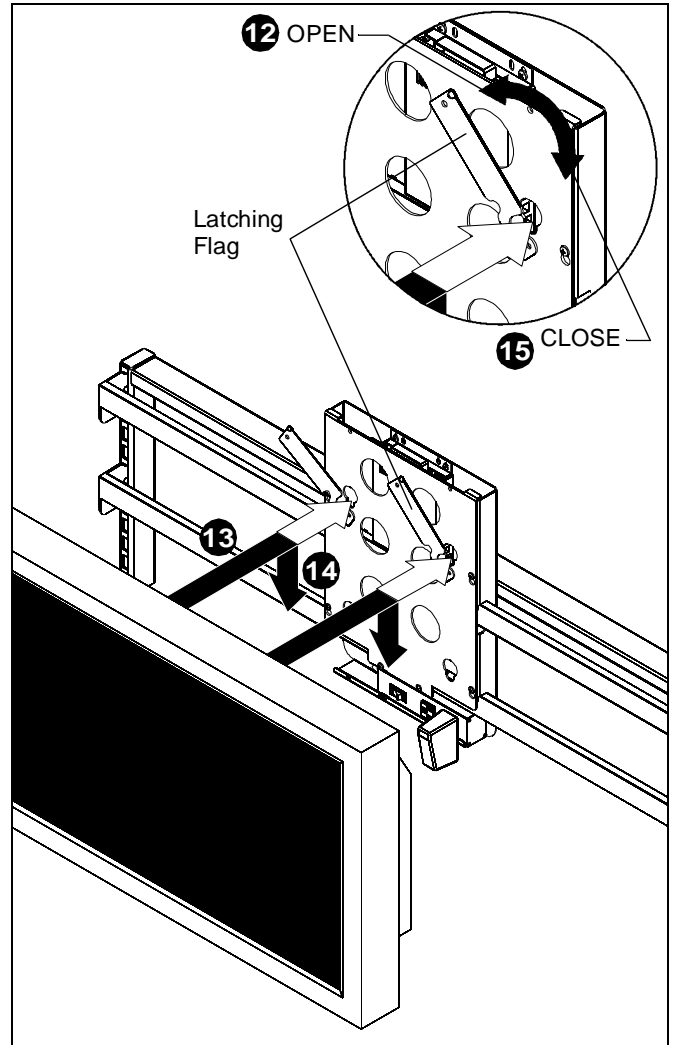


Figure 7



Chief® Manufacturing, a division of
Milestone AV Technologies

8803-000111 RevA
©2008 Milestone AV Technologies
www.chiefmfg.com
04/08

USA/International	A 8401 Eagle Creek Parkway, Savage, MN 55378 P 800.582.6480 / 952.894.6280 F 877.894.6918 / 952.894.6918
Europe	A Fellenoord 130 5611 ZB EINDHOVEN, The Netherlands P +31 (0)40 2668620 F +31 (0)40 2668615
Asia Pacific	A Room 24F, Block D, Lily YinDu International Building LuoGang, BuJi Town, Shenzhen, CHINA. 深圳市布吉罗岗村百合银都国际大厦D栋24F P +86-755-8996 9226 F +86-755-8996 9217