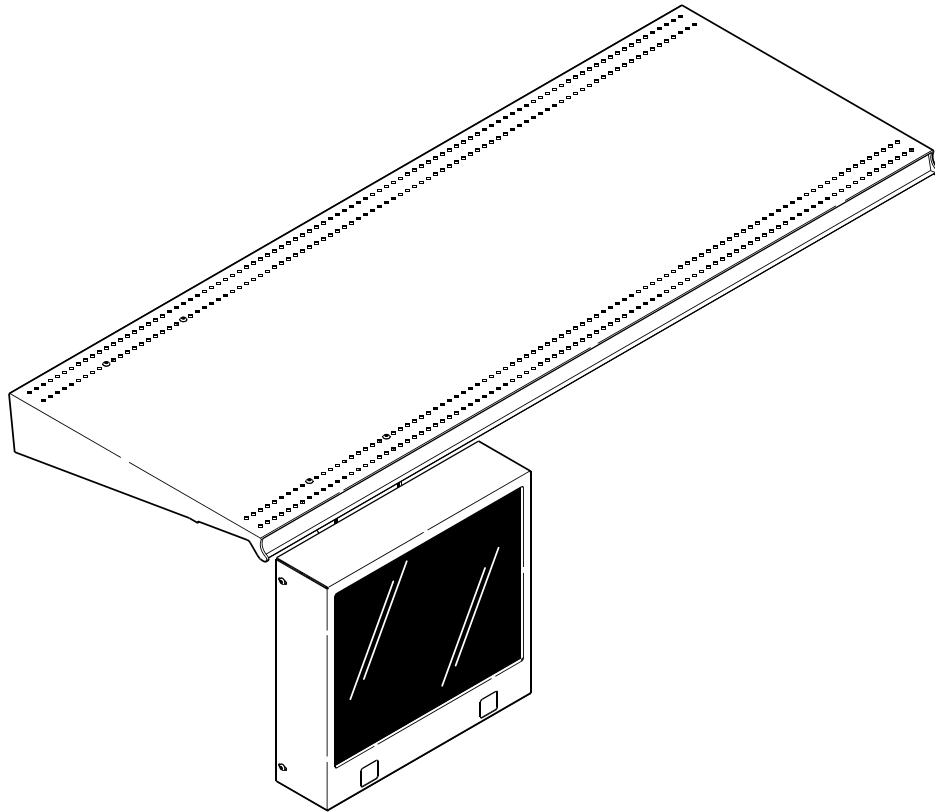

INSTALLATION INSTRUCTIONS



Under Shelf Mount

DISCLAIMER

CSAV, Inc., and its affiliated corporations and subsidiaries (collectively, "CSAV"), intend to make this manual accurate and complete. However, CSAV makes no claim that the information contained herein covers all details, conditions or variations, nor does it provide for every possible contingency in connection with the installation or use of this product. The information contained in this document is subject to change without notice or obligation of any kind. CSAV makes no representation of warranty, expressed or implied, regarding the information contained herein. CSAV assumes no responsibility for accuracy, completeness or sufficiency of the information contained in this document.



IMPORTANT WARNINGS AND CAUTIONS!



WARNING: A WARNING alerts you to the possibility of serious injury or death if you do not follow the instructions.



CAUTION: A CAUTION alerts you to the possibility of damage or destruction of equipment if you do not follow the corresponding instructions.



WARNING: Failure to read, thoroughly understand, and follow all instructions can result in serious personal injury, damage to equipment, or voiding of factory warranty! It is the installer's responsibility to make sure all components are properly assembled and installed using the instructions provided.



WARNING: Failure to provide adequate structural strength for this component can result in serious personal injury or damage to equipment! It is the installer's responsibility to make sure the structure to which this component is attached can support five times the combined weight of all equipment. Reinforce the structure as required before installing the component.



WARNING: Exceeding the weight capacity can result in serious personal injury or damage to equipment! It is the installer's responsibility to make sure the combined weight of all components does not exceed 25 lbs (11.34 kg).

LEGEND

| | |
|----------------------|------------------------------|
| | Tighten Fastener |
| | Apretar elemento de fijación |
| | Befestigungsteil festziehen |
| | Apertar fixador |
| | Serrare il fissaggio |
| | Bevestiging vastdraaien |
| Serrez les fixations | |

| | |
|--------------------|--------------------|
| | Pencil Mark |
| | Marcar con lápiz |
| | Stiftmarkierung |
| | Marcar com lápis |
| | Segno a matita |
| | Potloodmerkten |
| Marquage au crayon | |

| | |
|-------------------------|------------------------------|
| | Loosen Fastener |
| | Aflojar elemento de fijación |
| | Befestigungsteil lösen |
| | Desapertar fixador |
| | Allentare il fissaggio |
| | Bevestiging losdraaien |
| Desserrez les fixations | |

| | |
|---------|---------------|
| | Adjust |
| | Ajustar |
| | Einstellen |
| | Ajustar |
| | Regolare |
| | Afstellen |
| Ajuster | |

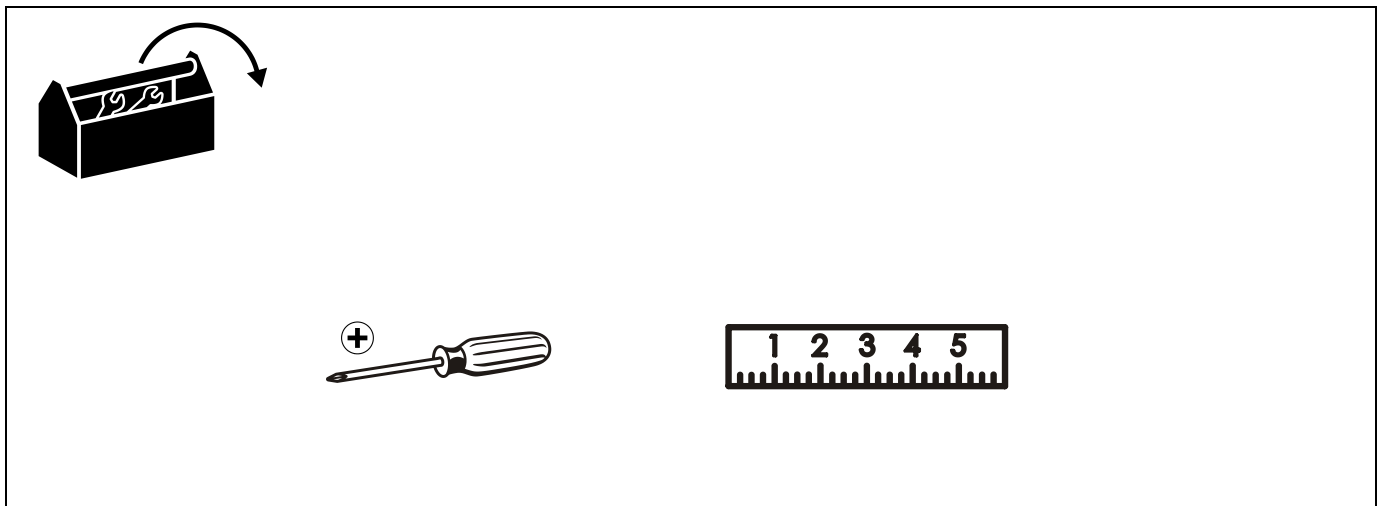
| | |
|-------------------------------|-----------------------------|
| | Phillips Screwdriver |
| | Destornillador Phillips |
| | Kreuzschlitzschraubendreher |
| | Chave de fendas Phillips |
| | Cacciavite a stella |
| | Kruiskopschroevendraaier |
| Tournevis à pointe cruciforme | |

| | |
|-----------|-----------------|
| | Optional |
| | Opcional |
| | Optional |
| | Opcional |
| | Opzionale |
| | Optie |
| En option | |

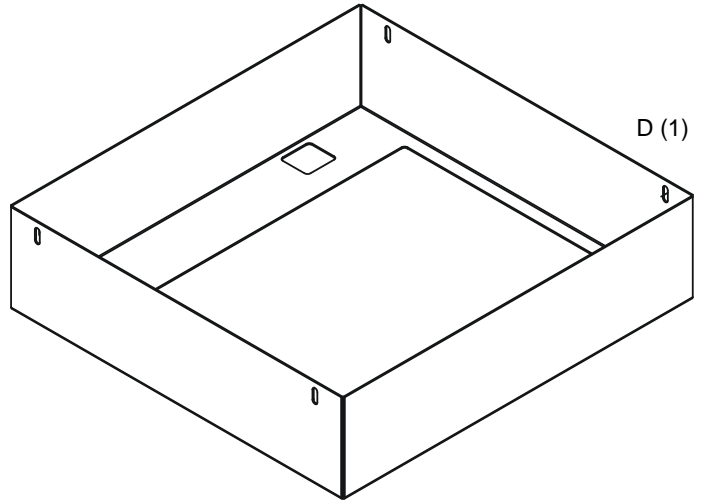
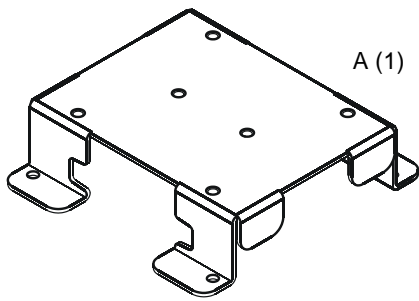
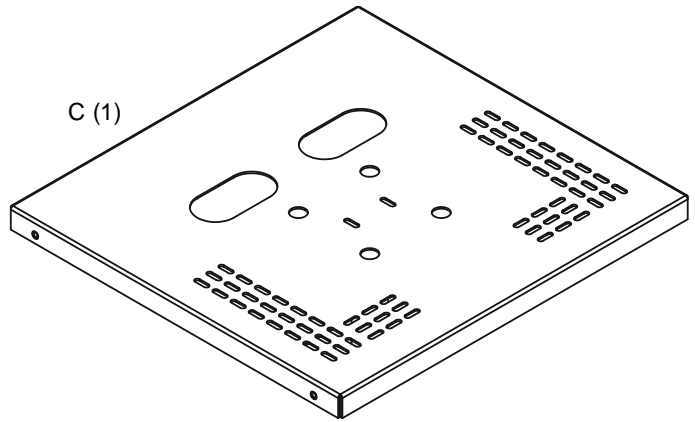
| | |
|---------------|--------------------------|
| | Open-Ended Wrench |
| | Llave de boca |
| | Gabelschlüssel |
| | Chave de bocas |
| | Chiave a punte aperte |
| | Steeksleutel |
| Clé à fourche | |

| | |
|-----------|----------------|
| | By Hand |
| | A mano |
| | Von Hand |
| | Com a mão |
| | A mano |
| | Met de hand |
| À la main | |

TOOLS REQUIRED FOR INSTALLATION



PARTS



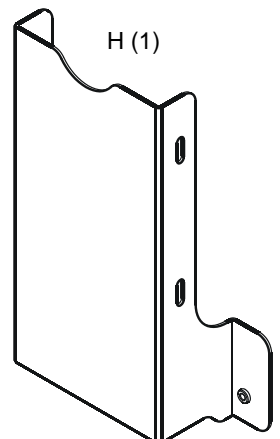
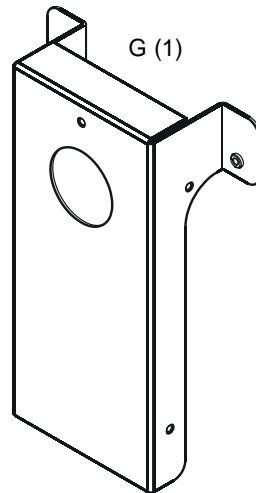
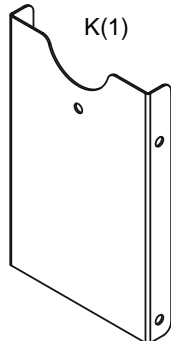
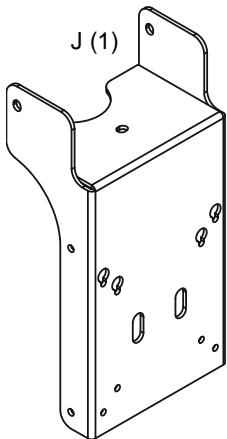
B (10) M4 x 10mm



F (17) 10-24 Button head
Cap Screw



E (1) 1/8" Allen Key



Assembly and Installation

Display Assembly



CAUTION: OVERTIGHTENING OF HARDWARE CAN LEAD TO EQUIPMENT DAMAGE! DO NOT overtighten hardware.

1. Install switcher box to display by securing with switcher bracket (A) and four M4 x 10mm screws (B). (See Figure 1)

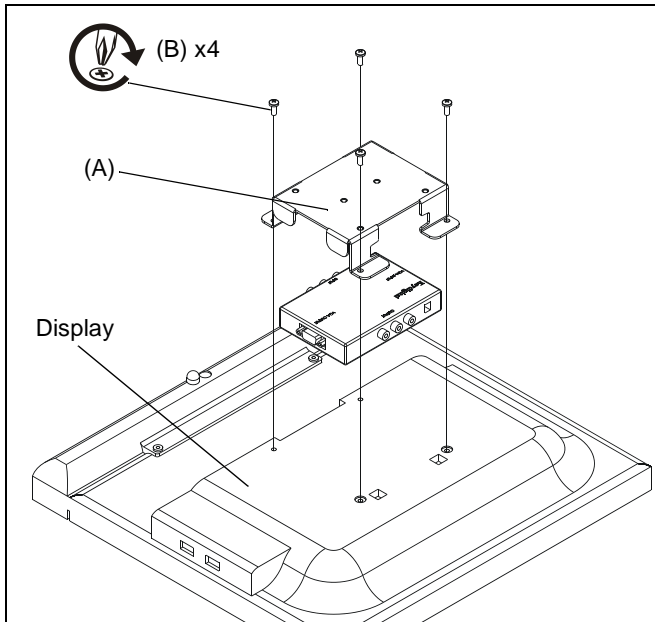


Figure 1

2. Install back cover (C) to switcher box using two M4 x 10mm Phillips pan head screws (B). (See Figure 2)

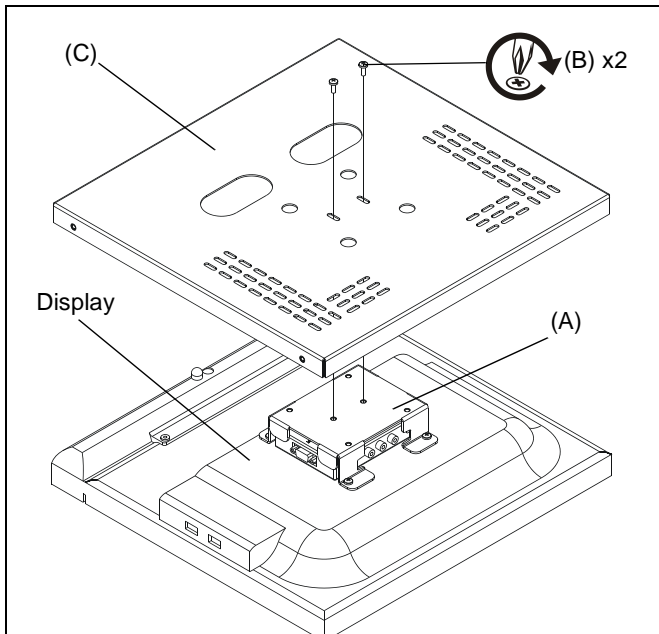


Figure 2

3. Connect cables to back on display and switcher bracket.
4. Attach display with back cover to front cover (D) using four 10-24 Button head cap screws (F). (See Figure 3)

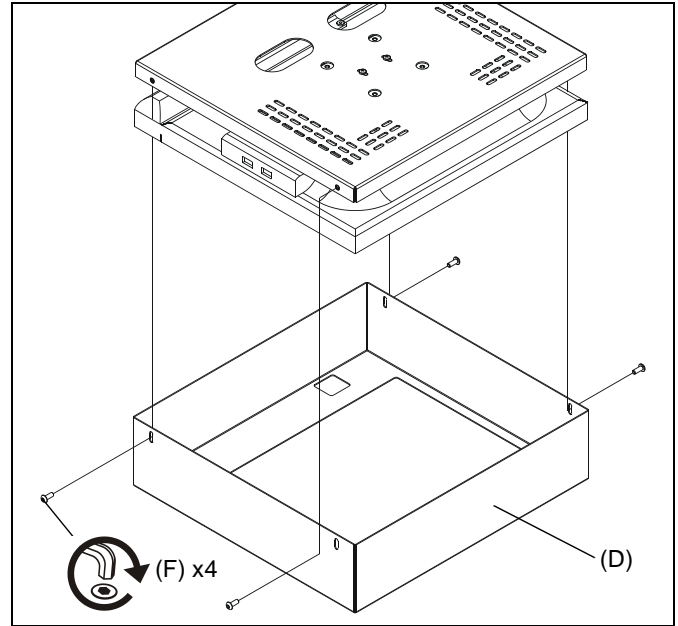


Figure 3

Installation

The mount has been designed to be installed on both 14" and 18" widths.



WARNING: IMPROPER INSTALLATION CAN LEAD TO DISPLAY FALLING CAUSING SERIOUS PERSONAL INJURY OR DAMAGE TO EQUIPMENT. DO NOT substitute hardware. Use only hardware provided by the manufacturer.

1. Connect the front U-channel (G) and back U-channel (H) with two 10-24x1/2" button head cap screws (F). (See Figure 4)

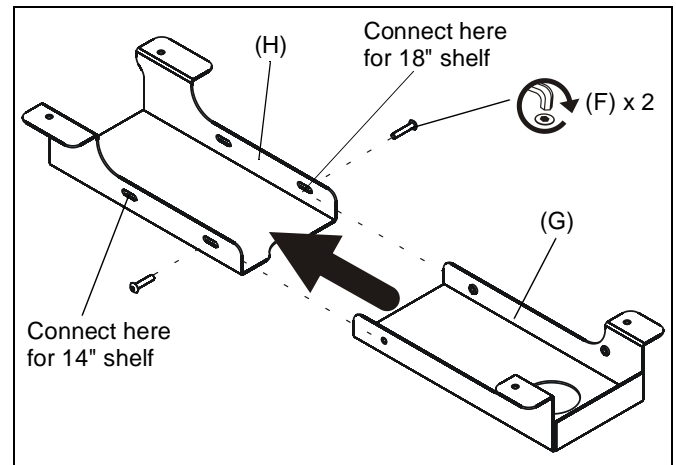


Figure 4

2. Install connected U-channel to shelf bottom using four 10-24 x 1/2" button head cap screws (F). (See Figure 5)

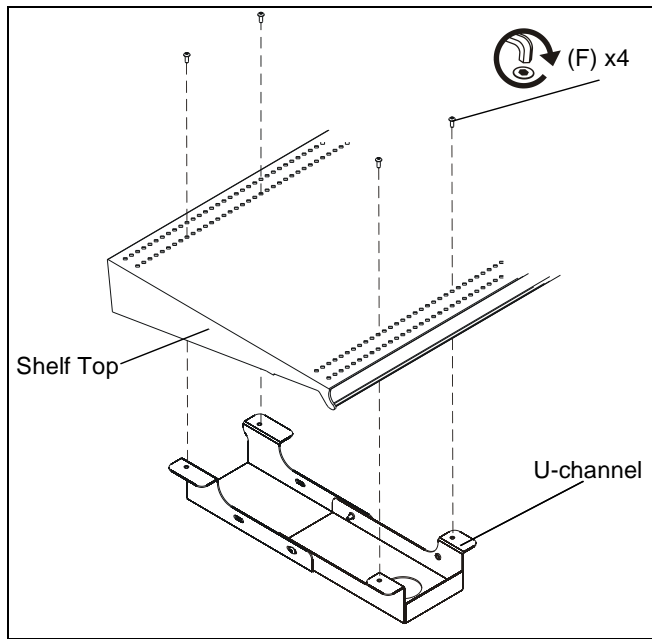


Figure 5

3. Install face plate (J) to U-channel using three 10-24 button head cap screws (F). (See Figure 6)

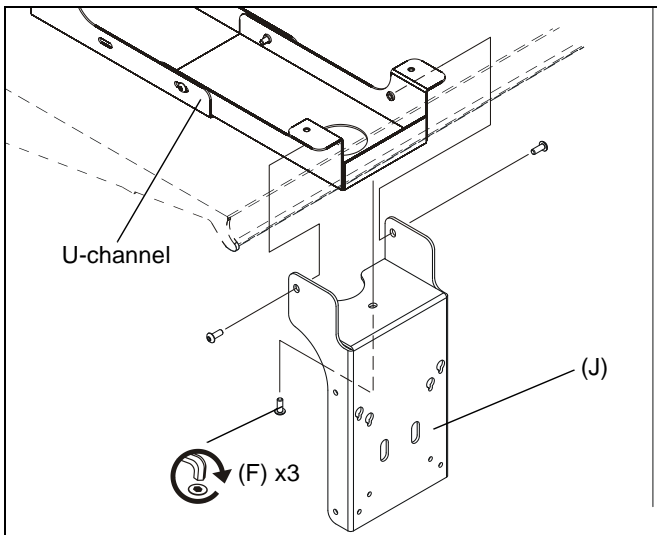


Figure 6

4. Install two M4 x 10mm Phillips head cap screws (B) into two TOP mounting holes in back of display assembly. (See Figure 7)

IMPORTANT ! : DO NOT tighten screws at this time. Make sure at least 1/8" of screw remains protruding in order to engage teardrop mounting holes in face plate.

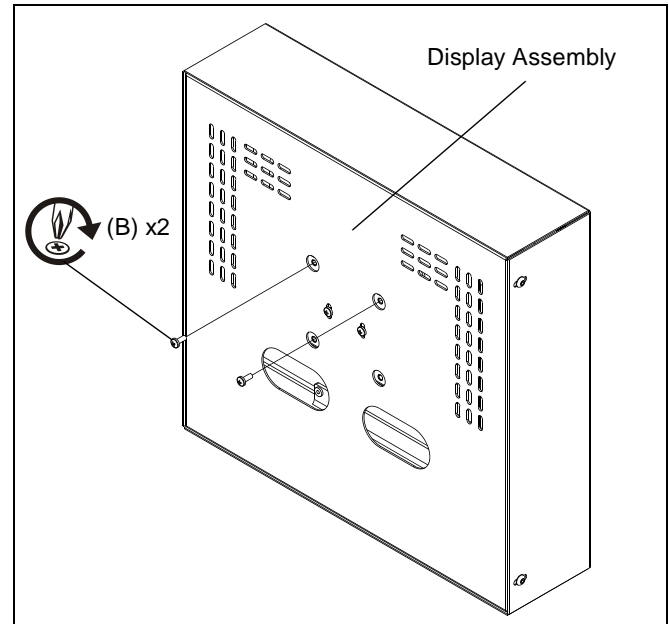


Figure 7

5. Move display forward and insert two upper display mounting screws (previously installed) into upper teardrop mounting holes in faceplate (J). (See Figure 8)



WARNING: IMPROPER INSTALLATION CAN LEAD TO DISPLAY FALLING CAUSING SERIOUS PERSONAL INJURY OR DAMAGE TO EQUIPMENT. Make certain screws are seated in lower area of teardrop mounting holes.

6. Secure display assembly to face plate by installing two lower M4 x 10mm screws (B) through face plate and into mounting holes in display assembly. (See Figure 8)
7. Tighten four display mounting screws.

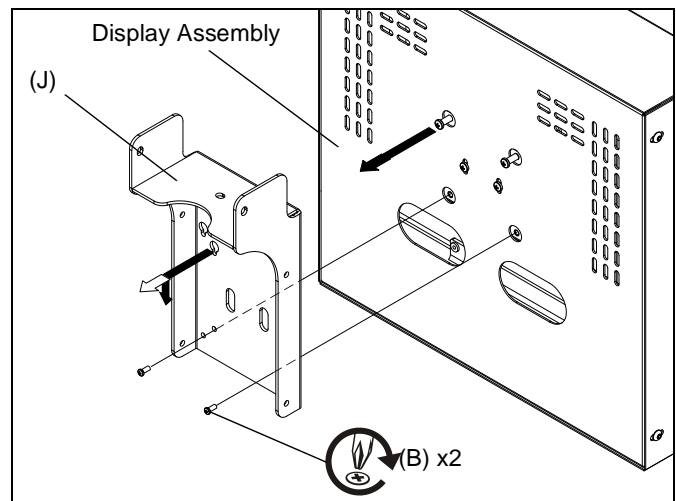


Figure 8

8. Connect cables and cords to display and route as shown in Figure 9.

NOTE: The front cover may be removed for cable connections. This is done by removing the four 10-24 screws installed in Step 4 on previous page (Figure 3).

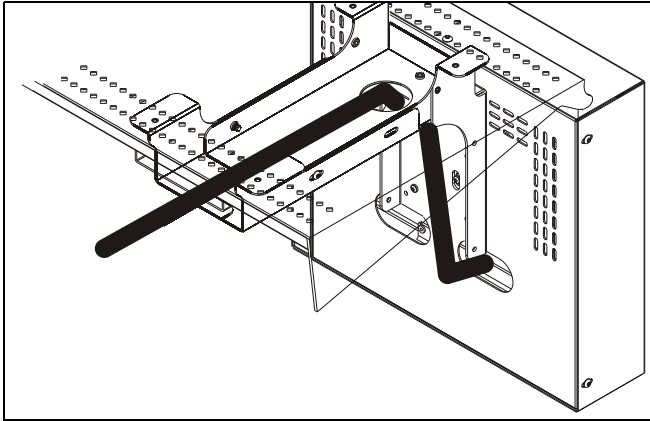


Figure 9

9. Install cable cover (K) to back of face plate using four 10-24 button head cap screws (F).

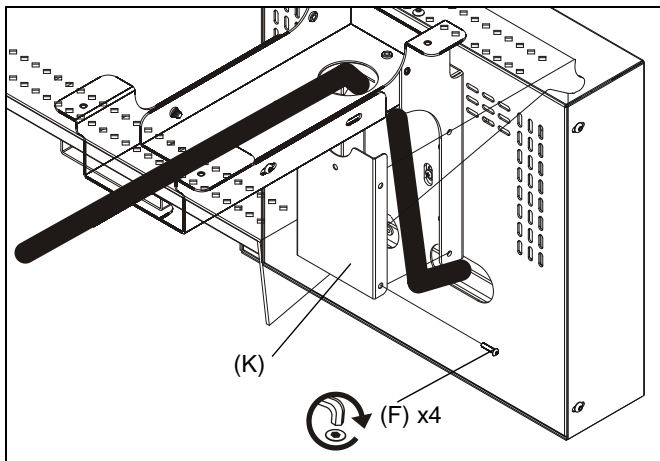


Figure 10



8832-000171 RevB
©2006 Chief Manufacturing
www.chiefmfg.com
12/06

| | |
|--------------------------|---|
| USA/International | A 8401 Eagle Creek Parkway, Savage, MN 55378 P 800.582.6480 / 952.894.6280 F 877.894.6918 / 952.894.6918 |
| Europe | A Fellenoord 130 5611 ZB EINDHOVEN, The Netherlands P 31 (0)20 5708923 F 31 (0)20 5708989 |
| Asia Pacific | A Room 30I, Block D, Lily YinDu International Building LuoGang, BuJi Town, Shenzhen, CHINA. Post Code: 518112 深圳市布吉罗岗百合银都国际大厦D栋30I P +86-755-8996 9226 ; 8996 9236 ; 8996 9220 F +86-755-8996 9217 |