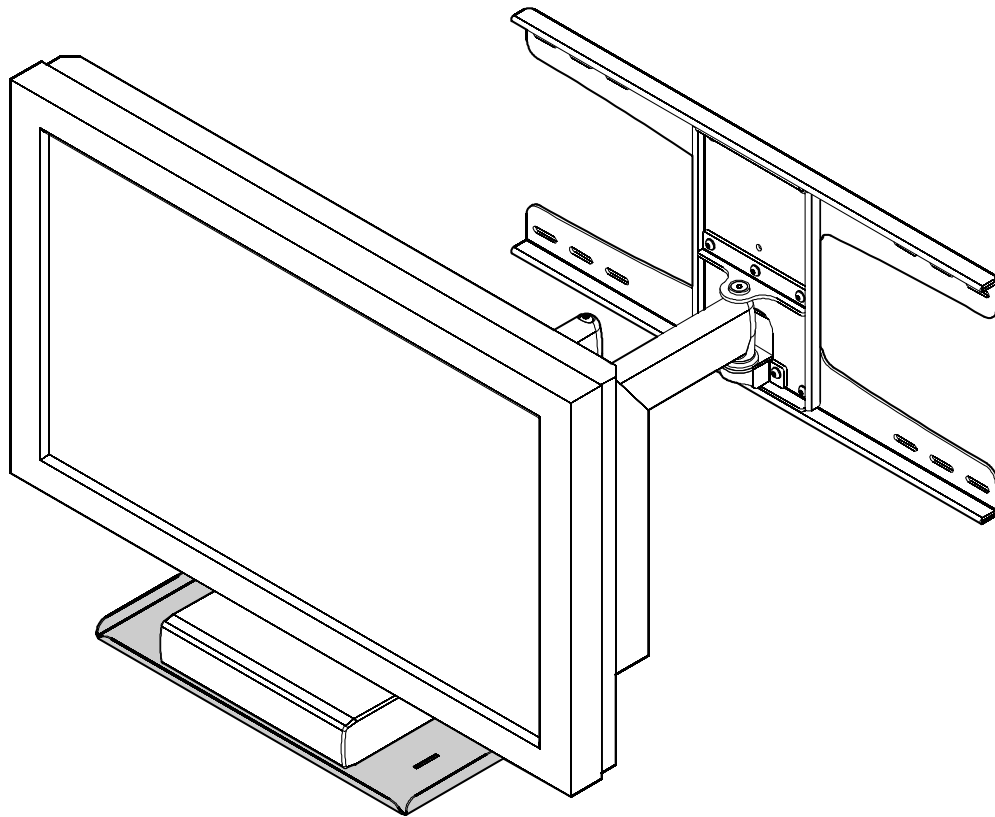


---

# INSTALLATION INSTRUCTIONS

---



---

## Satellite Receiver Shelf

---

**DISCLAIMER**

Milestone AV Technologies and its affiliated corporations and subsidiaries (collectively "Milestone"), intend to make this manual accurate and complete. However, Milestone makes no claim that the information contained herein covers all details, conditions or variations, nor does it provide for every possible contingency in connection with the installation or use of this product. The information contained in this document is subject to change without notice or obligation of any kind. Milestone makes no representation of warranty, expressed or implied, regarding the information contained herein. Milestone assumes no responsibility for accuracy, completeness or sufficiency of the information contained in this document.

Chief® is a registered trademark of Milestone AV Technologies. All rights reserved.

**! IMPORTANT WARNINGS AND CAUTIONS!**

**! WARNING:** A WARNING alerts you to the possibility of serious injury or death if you do not follow the instructions.

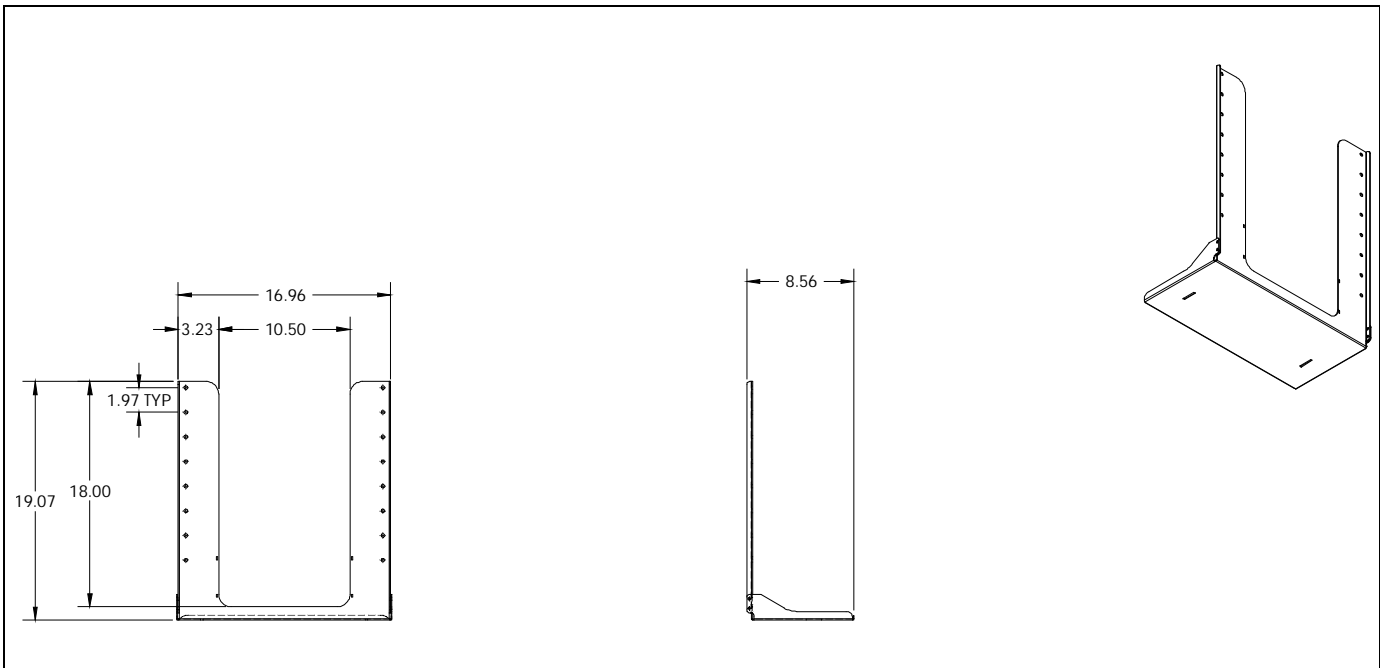
**! CAUTION:** A CAUTION alerts you to the possibility of damage or destruction of equipment if you do not follow the corresponding instructions.

**! WARNING:** Failure to read, thoroughly understand, and follow all instructions can result in serious personal injury, damage to equipment, or voiding of factory warranty! It is the installer's responsibility to make sure all components are properly assembled and installed using the instructions provided.



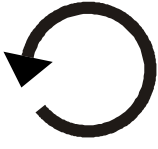

**! WARNING:** Failure to provide adequate structural strength for this component can result in serious personal injury or damage to equipment! It is the installer's responsibility to make sure the structure to which this component is attached can support five times the combined weight of all equipment. Reinforce the structure as required before installing the component.

**! WARNING:** Exceeding the weight capacity can result in serious personal injury or damage to equipment! It is the installer's responsibility to make sure the combined weight of all components located on the MSP-TGTRY does not exceed 10 lbs (4.5 kg).

**DIMENSIONS**



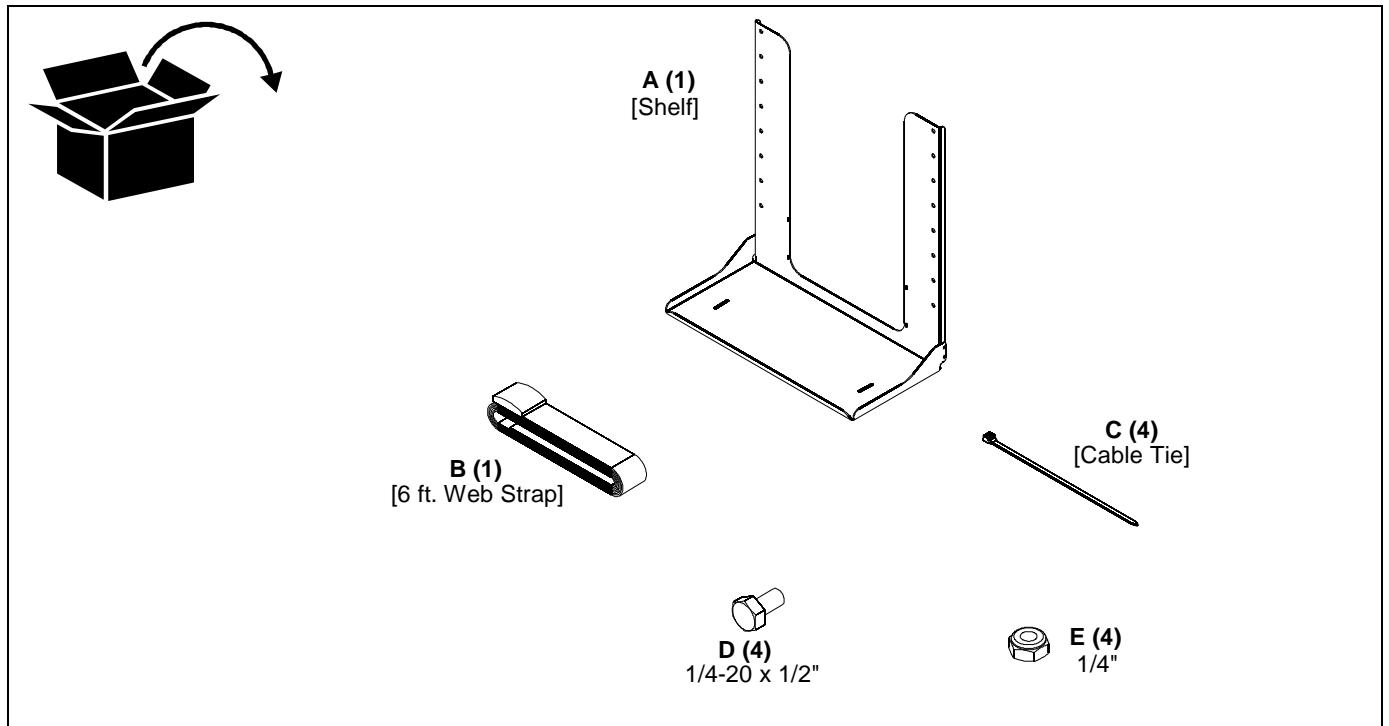
**LEGEND**

	<b>Tighten Fastener</b>		<b>Open-Ended Wrench</b>
	Apretar elemento de fijación		Llave de boca
	Befestigungsteil festziehen		Gabelschlüssel
	Apertar fixador		Chave de bocas
	Serrare il fissaggio		Chiave a punte aperte
	Bevestiging vastdraaien		Steeksleutel
Serrez les fixations	Clé à fourche		
	<b>Loosen Fastener</b>		<b>By Hand</b>
	Aflojar elemento de fijación		A mano
	Befestigungsteil lösen		Von Hand
	Desapertar fixador		Com a mão
	Allentare il fissaggio		A mano
	Bevestiging losdraaien		Met de hand
Desserrez les fixations	À la main		

**TOOLS REQUIRED FOR INSTALLATION**



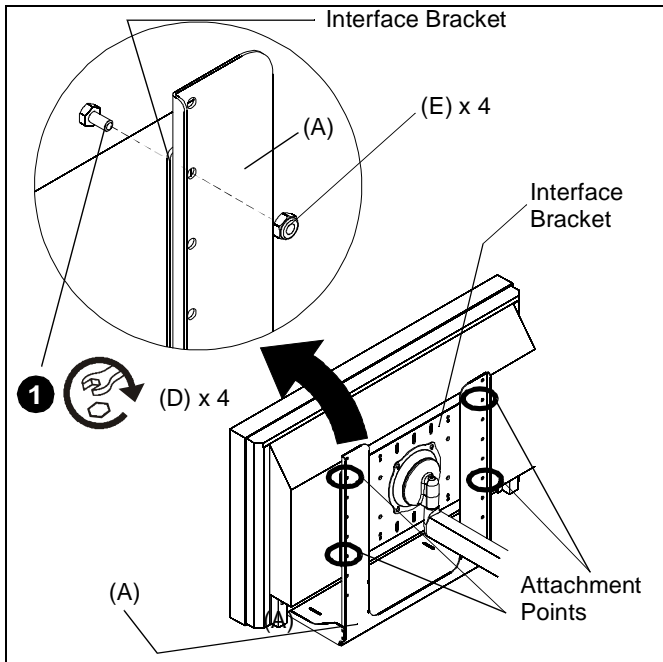
**PARTS**



## INSTALLATION

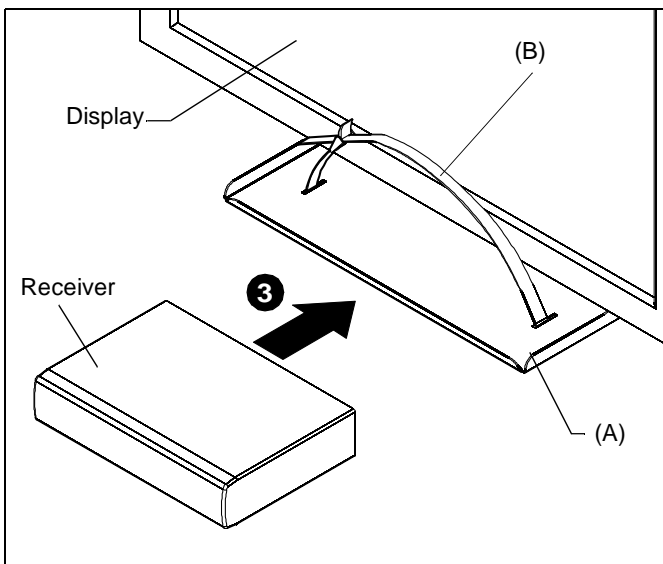
1. Attach shelf (A) to the existing interface bracket on the display back using four 1/4-20 x 1/2" hex head cap screws (D) and four 1/4" Nylock lock nuts (E). (See Figure 1)

**NOTE:** The fasteners should be placed as far apart (in the shelf) as possible.



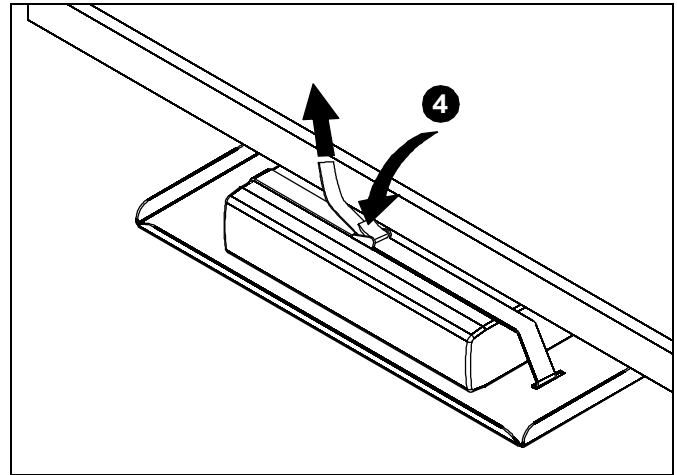
**Figure 1**

2. Thread web strap (B) from underneath shelf. (See Figure 2)
3. Slide receiver onto shelf (A).



**Figure 2**

4. Tighten strap around receiver, and press down on buckle to secure it in place. (See Figure 3)



**Figure 3**









Our Mounts. **Your Vision.**

Chief Manufacturing, a products division  
of Milestone AV Technologies

8803-000127

©2009 Milestone AV Technologies, a  
Duchossois Group Company  
[www.chiefmfg.com](http://www.chiefmfg.com)

01/09

**USA/International**

**A** 8401 Eagle Creek Parkway, Savage, MN 55378

**P** 800.582.6480 / 952.894.6280

**F** 877.894.6918 / 952.894.6918

**Europe**

**A** Fellenoord 130 5611 ZB EINDHOVEN, The Netherlands

**P** +31 (0)40 2668620

**F** +31 (0)40 2668615

**Asia Pacific**

**A** Room 24F, Block D, Lily YinDu International Building  
LuoGang, BuJi Town, Shenzhen, CHINA.

深圳市布吉罗岗村百合银都国际大厦D栋24F

**P** +86-755-8996 9226

**F** +86-755-8996 9217

