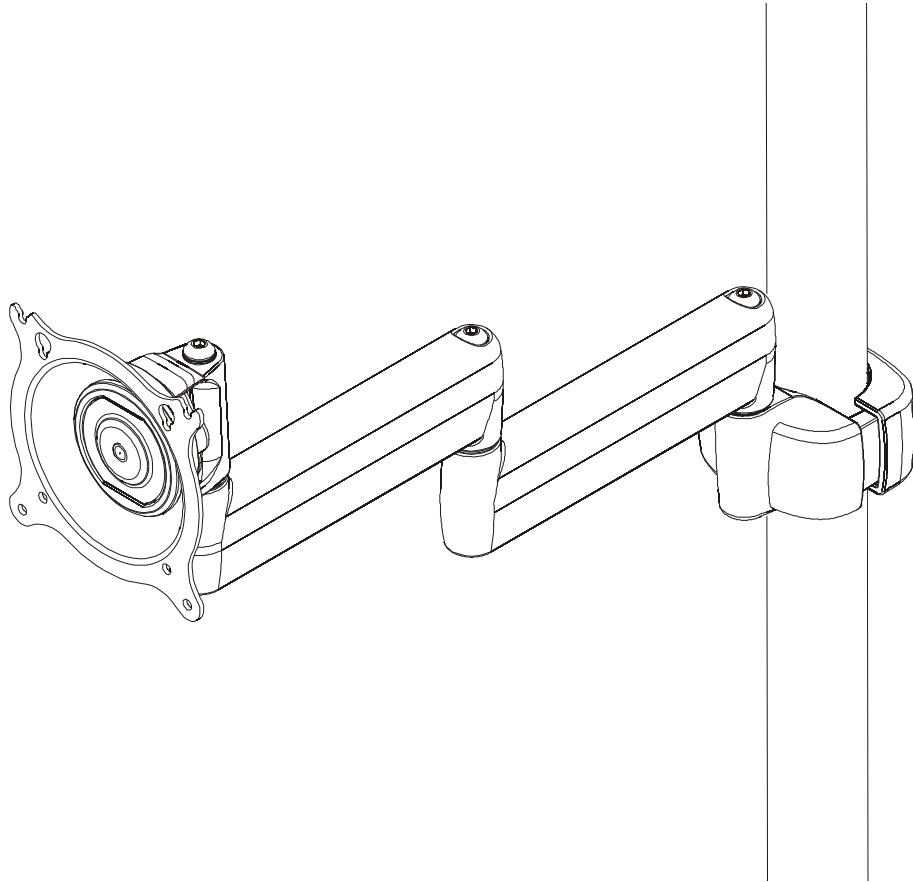

INSTALLATION INSTRUCTIONS



Dual Arm Pole Mount

DISCLAIMER

Milestone AV Technologies and its affiliated corporations and subsidiaries (collectively "Milestone"), intend to make this manual accurate and complete. However, Milestone makes no claim that the information contained herein covers all details, conditions or variations, nor does it provide for every possible contingency in connection with the installation or use of this product. The information contained in this document is subject to change without notice or obligation of any kind. Milestone makes no representation of warranty, expressed or implied, regarding the information contained herein. Milestone assumes no responsibility for accuracy, completeness or sufficiency of the information contained in this document.

Chief® is a registered trademark of Milestone AV Technologies. All rights reserved.

! IMPORTANT SAFETY INSTRUCTIONS!

! WARNING: A WARNING alerts you to the possibility of serious injury or death if you do not follow the instructions.

! CAUTION: A CAUTION alerts you to the possibility of damage or destruction of equipment if you do not follow the corresponding instructions.

! WARNING: Failure to provide adequate structural strength for this component can result in serious personal injury or damage to equipment! It is the installer's responsibility to make sure the structure to which this component is attached can support five times the combined weight of all equipment. Reinforce the structure as required before installing the component.

! WARNING: Exceeding the weight capacity can result in serious personal injury or damage to equipment! It is the installer's responsibility to make sure the combined weight of all components located between the MSP-TINT01 up to (and including) the display does not exceed 40 lbs (14.93 kg).

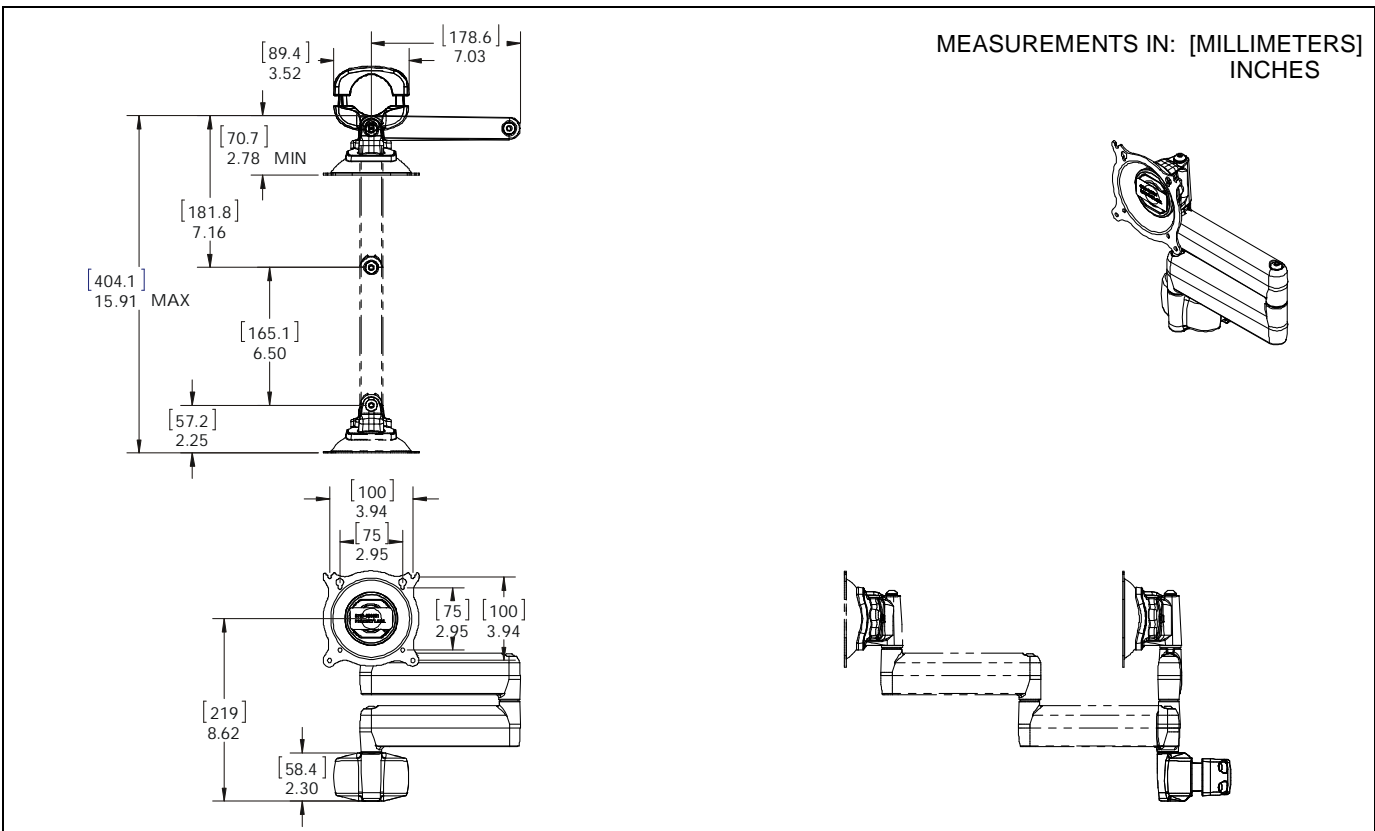
! WARNING: Use this mounting system only for its intended use as described in these instructions. Do not use attachments not recommended by the manufacturer.

! WARNING: Never operate this mounting system if it is damaged. Return the mounting system to a service center for examination and repair.

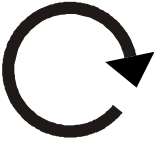

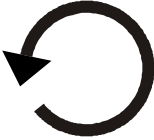









! WARNING: Do not use this product outdoors.

--SAVE THESE INSTRUCTIONS--

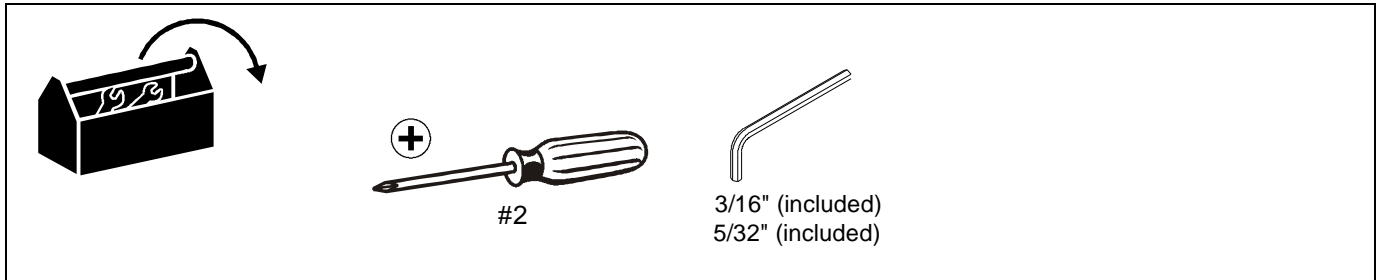
DIMENSIONS



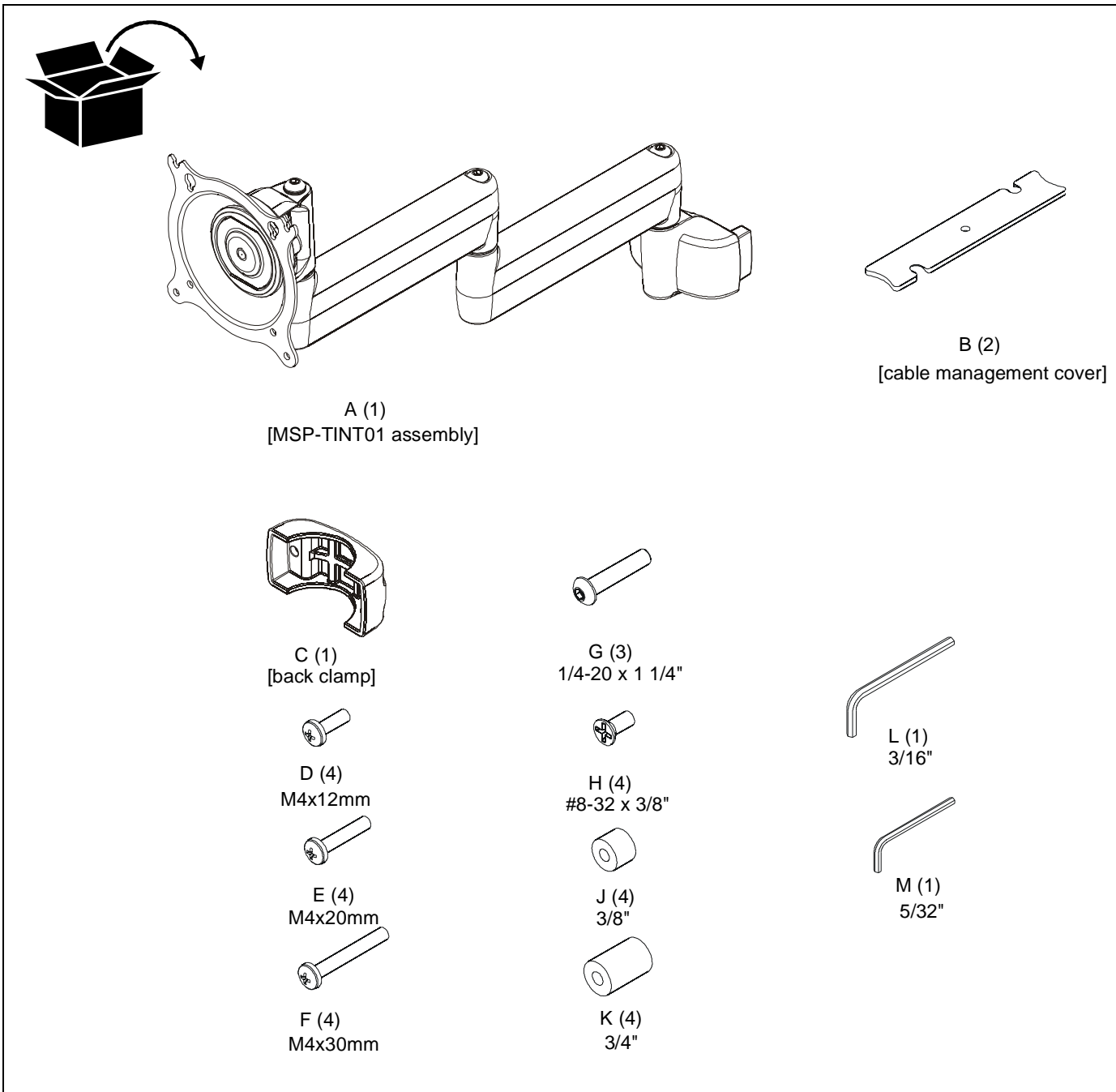
LEGEND

	<p>Tighten Fastener</p> <p>Apretar elemento de fijación</p> <p>Befestigungsteil festziehen</p> <p>Apertar fixador</p> <p>Serrare il fissaggio</p> <p>Bevestiging vastdraaien</p> <p>Serrez les fixations</p>		<p>Pencil Mark</p> <p>Marcar con lápiz</p> <p>Stiftmarkierung</p> <p>Marcar com lápis</p> <p>Segno a matita</p> <p>Potloodmerkteken</p> <p>Marquage au crayon</p>
	<p>Loosen Fastener</p> <p>Aflojar elemento de fijación</p> <p>Befestigungsteil lösen</p> <p>Desapertar fixador</p> <p>Allentare il fissaggio</p> <p>Bevestiging losdraaien</p> <p>Desserrez les fixations</p>		<p>Drill Hole</p> <p>Perforar</p> <p>Bohrloch</p> <p>Fazer furo</p> <p>Praticare un foro</p> <p>Gat boren</p> <p>Percez un trou</p>
	<p>Phillips Screwdriver</p> <p>Destornillador Phillips</p> <p>Kreuzschlitzschraubendreher</p> <p>Chave de fendas Phillips</p> <p>Cacciavite a stella</p> <p>Kruiskopschroevendraaier</p> <p>Tournevis à pointe cruciforme</p>		<p>Adjust</p> <p>Ajustar</p> <p>Einstellen</p> <p>Ajustar</p> <p>Regolare</p> <p>Afstellen</p> <p>Ajuster</p>
	<p>Open-Ended Wrench</p> <p>Llave de boca</p> <p>Gabelschlüssel</p> <p>Chave de bocas</p> <p>Chiave a punte aperte</p> <p>Steeksleutel</p> <p>Clé à fourche</p>		<p>Remove</p> <p>Quitar</p> <p>Entfernen</p> <p>Remover</p> <p>Rimuovere</p> <p>Verwijderen</p> <p>Retirez</p>
	<p>By Hand</p> <p>A mano</p> <p>Von Hand</p> <p>Com a mão</p> <p>A mano</p> <p>Met de hand</p> <p>À la main</p>		<p>Optional</p> <p>Opcional</p> <p>Optional</p> <p>Opcional</p> <p>Opzionale</p> <p>Optie</p> <p>En option</p>
	<p>Hex-Head Wrench</p> <p>Llave de cabeza hexagonal</p> <p>Sechskantschlüssel</p> <p>Chave de cabeça sextavada</p> <p>Chiave esagonale</p> <p>Zeskantsleutel</p> <p>Clé à tête hexagonale</p>		<p>Security Wrench</p> <p>Llave de seguridad</p> <p>Sicherheitsschlüssel</p> <p>Chave de segurança</p> <p>Chiave di sicurezza</p> <p>Veiligheidsleutel</p> <p>Clé de sécurité</p>

TOOLS REQUIRED FOR INSTALLATION



PARTS



INSTALLATION



WARNING: IMPROPER INSTALLATION CAN LEAD TO DISPLAY FALLING CAUSING SERIOUS PERSONAL INJURY OR DAMAGE TO EQUIPMENT! DO NOT substitute hardware! Use only hardware provided by manufacturer.



WARNING: Exceeding the weight capacity can result in serious personal injury or damage to equipment! It is the installer's responsibility to make sure the combined weight of all components located between the MSP-TINT01 up to (and including) the display does not exceed 40 lbs (14.93 kg).

IMPORTANT ! : IF you will be installing a display with RECESSED mounting holes, then proceed to "DISPLAY INSTALLATION" *before continuing* with this mount installation procedure.

1. Determine approximate location for mount keeping in mind display size, extension, height adjustment (if applicable), and pitch/roll requirements.
2. Place MSP-TINT01 assembly (A) against pole, with back clamp (C) on opposite side of pole. Using 5/32" hex key (M), loosely assemble with three 1/4-20 x 1 1/4" button head cap screws (G). (See Figure 1)

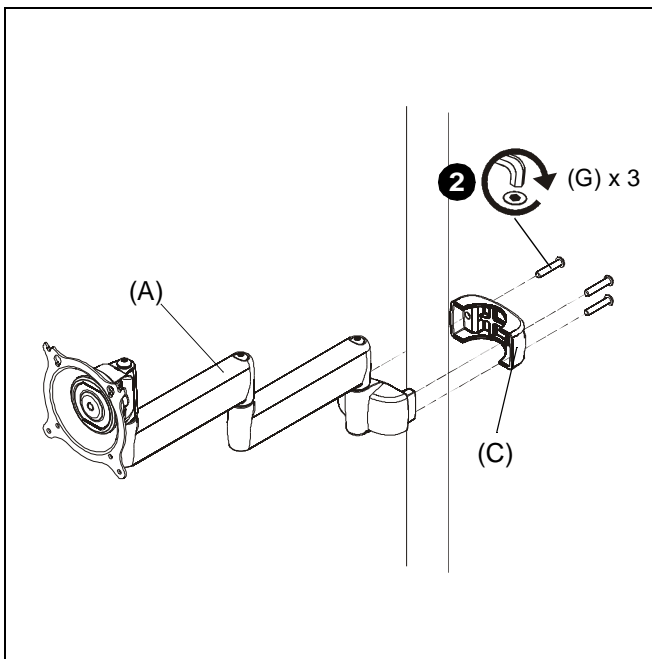


Figure 1

NOTE: Equally tighten screws (G) against mount (A) and the pole clamp (C). (See Figure 2)

3. Position mount at desired height and orientation. Tighten screws.

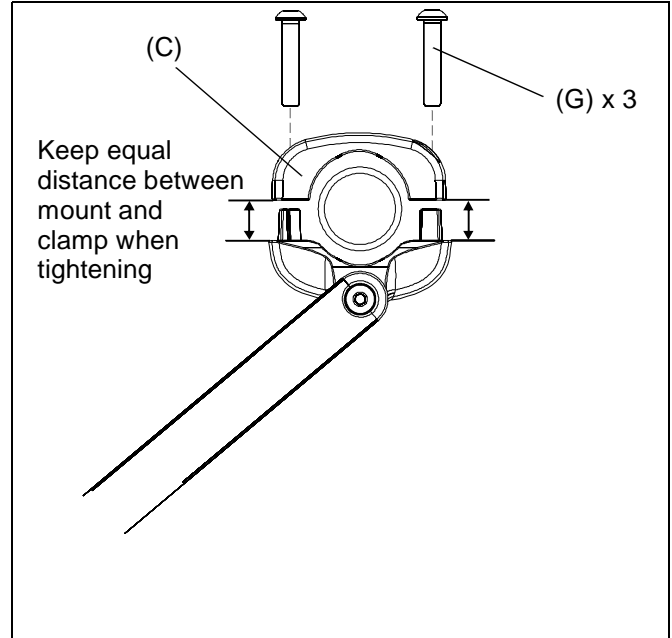


Figure 2

DISPLAY INSTALLATION

The mounting holes on the back of the display will be *flush with* the back surface, or *recessed into* the back. Refer to the applicable installation procedure below.

NOTE: Ensure Centris Turntite head is able to swivel and tilt easily, yet still be tight enough to hold display in desired position. Adjust as required before proceeding. See **Adjustments** section for details.

Swing Arm Flush Display Installation



CAUTION: IMPROPER INSTALLATION CAN LEAD TO DISPLAY FALLING CAUSING SERIOUS PERSONAL INJURY OR DAMAGE TO EQUIPMENT! Using screws of improper size may damage your display! Proper screws will easily and completely thread into display mounting holes.



CAUTION: IMPROPER INSTALLATION CAN LEAD TO DISPLAY FALLING CAUSING SERIOUS PERSONAL INJURY OR DAMAGE TO EQUIPMENT! Inadequate thread engagement in display may cause display to fall! Back out screws **ONLY** as necessary to allow installation of Centris Turntite head!

1. Using Phillips screwdriver, carefully install two M4 x 12mm Phillips screws (D) into the *upper* mounting holes on the display. Thread screws completely into display, then back out 3 complete turns. (See Figure 3)
2. Align two screws (D) (installed on the back of the display in the previous step) with the two top teardrop mounting holes on the Centris cup.

CAUTION: IMPROPER INSTALLATION CAN LEAD TO DISPLAY FALLING CAUSING SERIOUS PERSONAL INJURY OR DAMAGE TO EQUIPMENT! Smaller area of teardrop mounting holes must be facing downward for proper installation. Reposition Centris Turntite head if required.

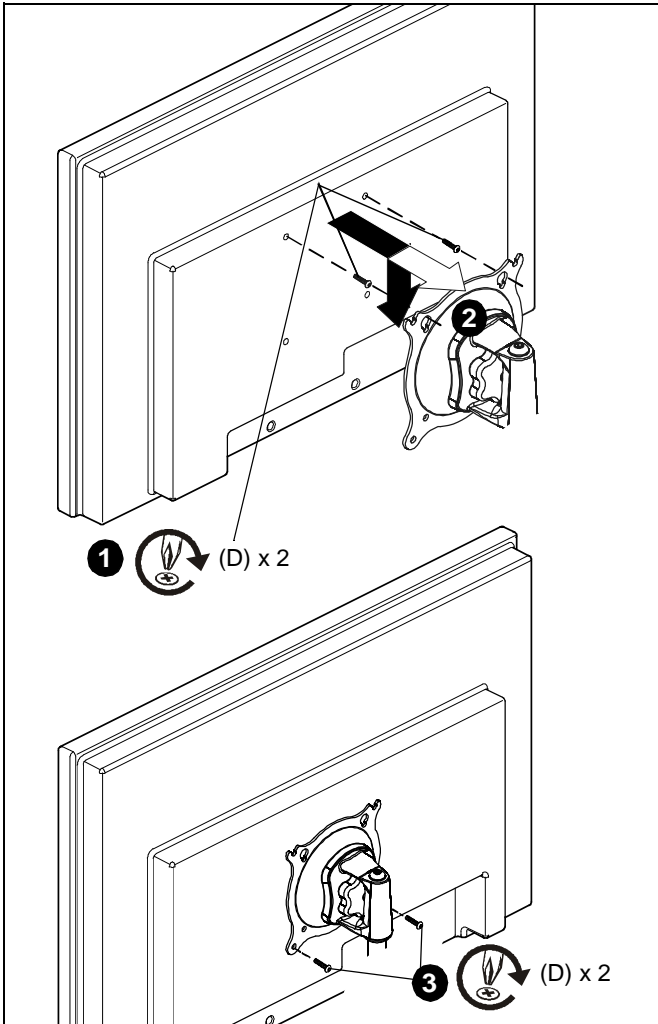


Figure 3

- Using Phillips screwdriver, install two screws M4 x 12mm Phillips screws (D) through the *lower* mounting holes in Centris Turntite head into the display. (See Figure 3)
- Tighten all four screws (D). Do not overtighten!

Swing Arm Recessed Display Installation

- Carefully place display face down on a clean and dry surface.
- Determine depth of recessed mounting holes relative to back surface of display.
- Select proper length spacer and screw from table below:

IF recess DEPTH is:	THEN use spacer:	AND screw:
3/8" or less	J (3/8" long)	E (M4 x 20mm)
More than 3/8" up to and including 3/4"	K (3/4" long)	F (M4 x 30mm)

IMPORTANT ! : All spacers used should be the same length. If the recess depths result in multiple spacer lengths, then select the longer spacer.

- Place the three (J or K) spacers over each mounting hole on the back of display. (See Figure 4)
- Orient mount so that mounting holes in the Centris Turntite head are aligned with the holes in the spacers (J or K). Rotate the Centris Turntite head as required. (See Figure 4)

CAUTION: IMPROPER INSTALLATION CAN LEAD TO DISPLAY FALLING CAUSING SERIOUS PERSONAL INJURY OR DAMAGE TO EQUIPMENT! Using screws of improper size may damage your display! Proper screws will easily and completely thread into display mounting holes.

- Using Phillips screwdriver, install four Phillips screws (E or F) through the mounting holes in Centris Turntite head and the spacers (J or K), into display. (See Figure 4)
- Tighten all four screws. Do not overtighten!
- Return to mount installation section to continue.

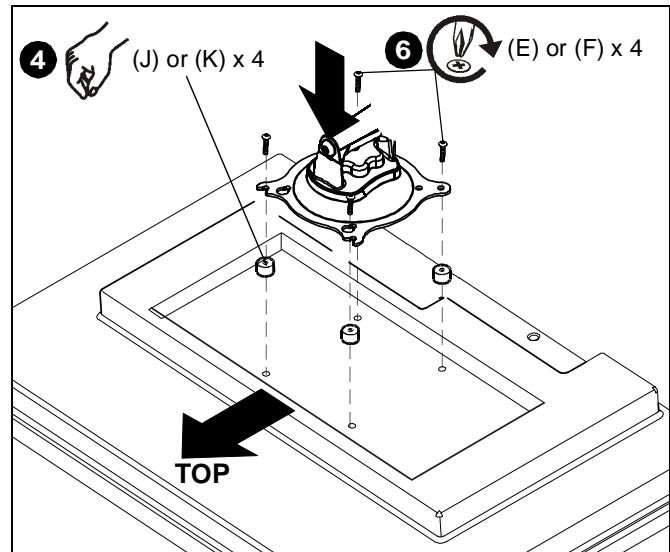


Figure 4

Cable Management

- Attach all cables to display.

CAUTION: Ensure that adequate cable slack exists for movement of display, and that cables will not be pinched when bracket is closed.

CAUTION: Ensure that adequate cable slack exists for movement of display, and that cables will not be pinched by installation of cover (B) or screws (H).

- Carefully insert cables in cavity located in upper portion of mount arm. (See Figure 5)
- Using Phillips screwdriver, install cover (H) with two screws (G). (See Figure 5)
- Repeat Steps 2-3 for lower portion of mount arm.

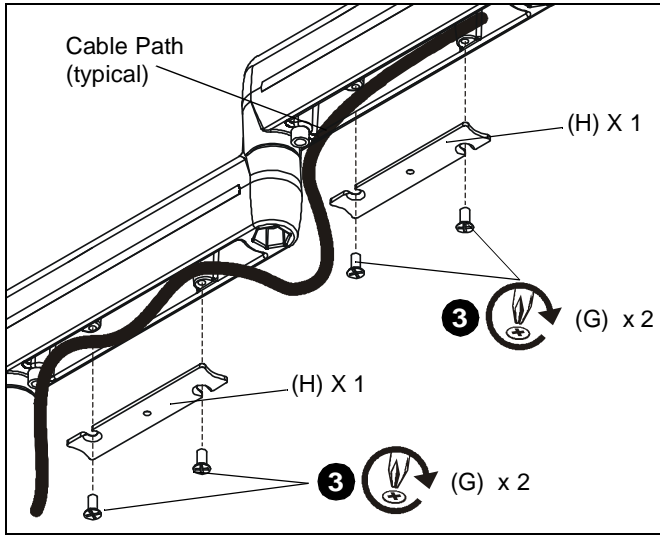


Figure 5

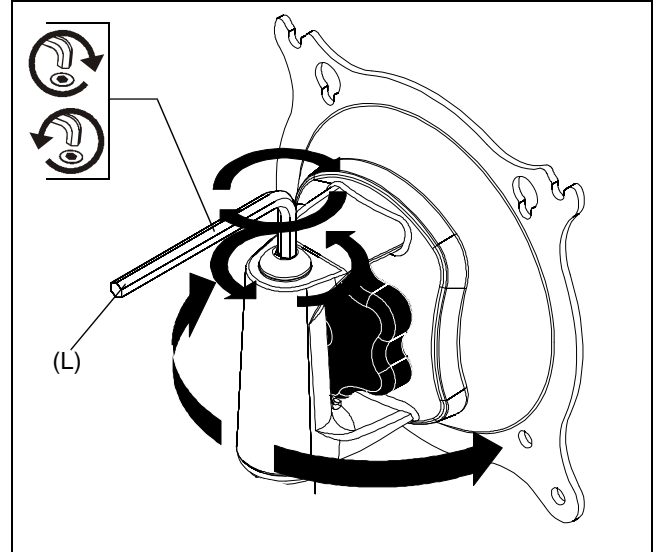


Figure 7

Adjustments

Turntite Centris Head Adjustments

The Turntite Centris head provides for Pitch, Roll, Yaw and display pivot tension adjustment.

To adjust display Pitch/Roll/ Yaw tension:

1. Turn adjustment knob, located on back of Centris Turntite head, clockwise to increase tension or counter-clockwise to decrease. (See Figure 6)

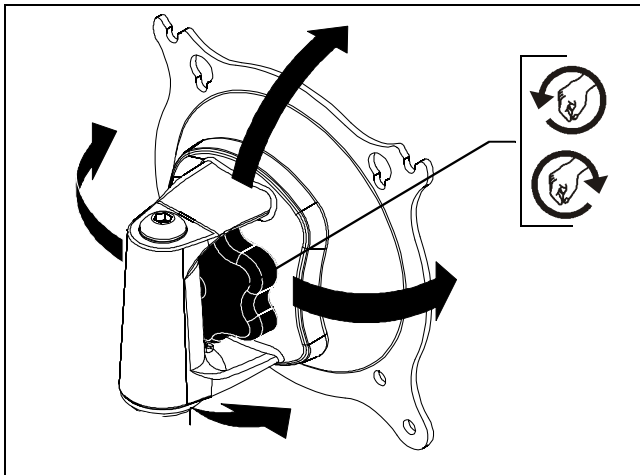


Figure 6

Swing Arm Tension Adjustment

1. Using 3/16" hex wrench (L), loosen or tighten adjustment screw(s) as necessary. (See Figure 8)

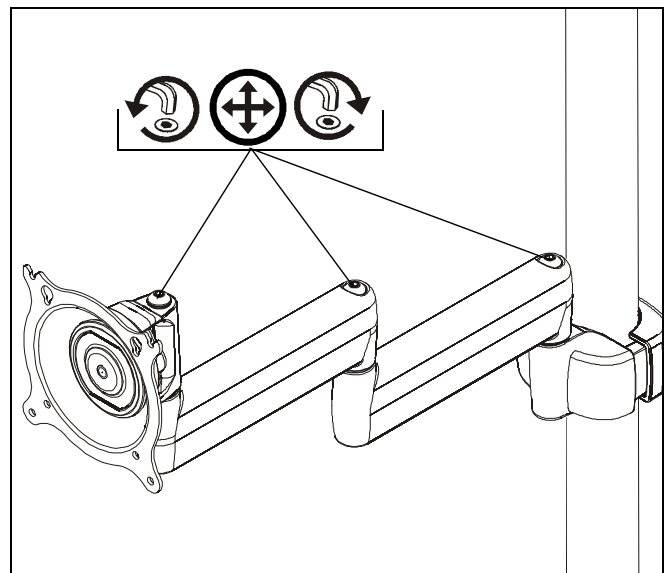


Figure 8

To adjust display pivot tension:

1. Using 3/16" hex wrench provided (L), turn adjustment screw clockwise to increase tension or counter-clockwise to decrease tension. (See Figure 7)



Our Mounts. **Your Vision.**

Chief Manufacturing, a products division
of Milestone AV Technologies

8800-002124 Rev00

©2011 Milestone AV Technologies, a
Duchossois Group Company

www.chiefmfg.com

09/11

USA/International	A 8401 Eagle Creek Parkway, Savage, MN 55378 P 800.582.6480 / 952.894.6280 F 877.894.6918 / 952.894.6918
Europe	A Fellenoord 130 5611 ZB EINDHOVEN, The Netherlands P +31 (0)40 2668620 F +31 (0)40 2668615
Asia Pacific	A Office No. 1 on 12/F, Shatin Galleria 18-24 Shan Mei Street Fotan, Shatin, Hong Kong P 852 2145 4099 F 852 2145 4477

