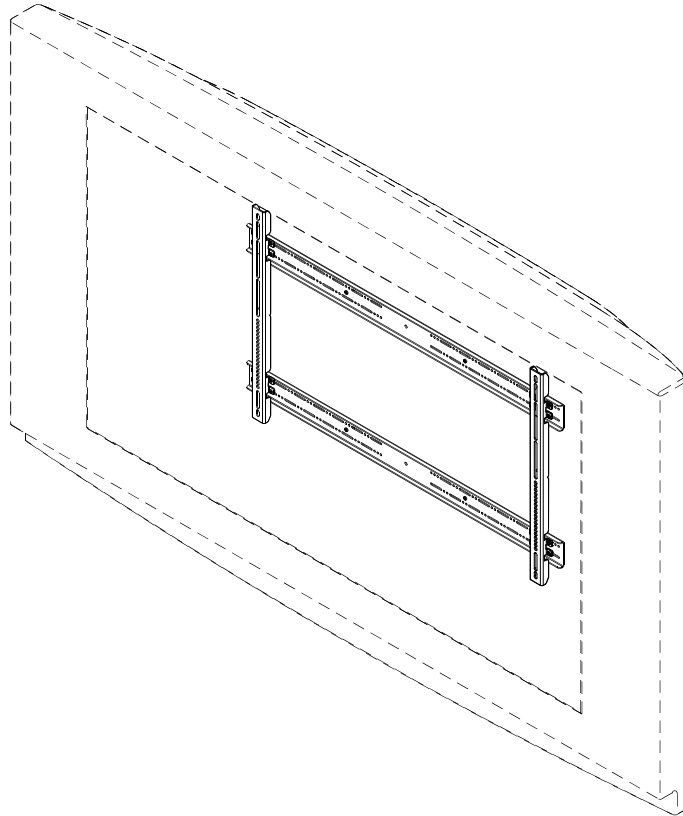

INSTALLATION INSTRUCTIONS



Universal Interface Bracket

DISCLAIMER

Milestone AV Technologies and its affiliated corporations and subsidiaries (collectively "Milestone"), intend to make this manual accurate and complete. However, Milestone makes no claim that the information contained herein covers all details, conditions or variations, nor does it provide for every possible contingency in connection with the installation or use of this product. The information contained in this document is subject to change without notice or obligation of any kind. Milestone makes no representation of warranty, expressed or implied, regarding the information contained herein. Milestone assumes no responsibility for accuracy, completeness or sufficiency of the information contained in this document.

Chief® is a registered trademark of Milestone AV Technologies. All rights reserved.



WARNING: Failure to read, thoroughly understand, and follow all instructions can result in serious personal injury, damage to equipment, or voiding of factory warranty! It is the installer's responsibility to make sure all components are properly assembled and installed using the instructions provided.



WARNING: Failure to provide adequate structural strength for this component can result in serious personal injury or damage to equipment! It is the installer's responsibility to make sure the structure to which this component is attached can support five times the combined weight of all equipment. Reinforce the structure as required before installing the component.



WARNING: Exceeding the weight capacity of the mount can result in serious personal injury or damage to equipment! It is the installer's responsibility to make sure the combined weight of the mount and all attached components does not exceed 200 lbs (90.72kg).



IMPORTANT WARNINGS AND CAUTIONS!

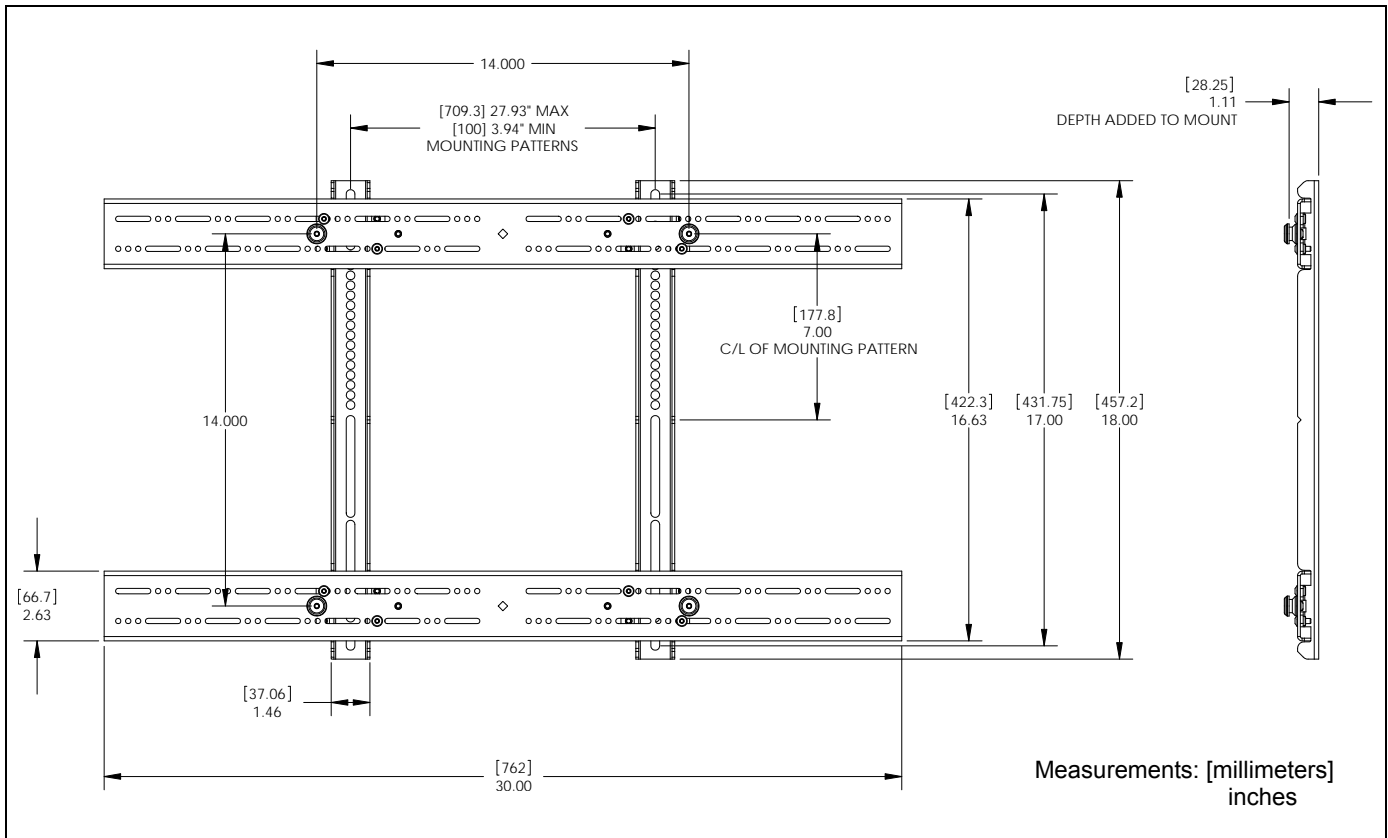


WARNING: A WARNING alerts you to the possibility of serious injury or death if you do not follow the instructions.

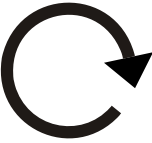


CAUTION: A CAUTION alerts you to the possibility of damage or destruction of equipment if you do not follow the corresponding instructions.

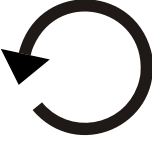
DIMENSIONS



LEGEND





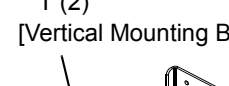
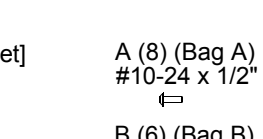



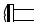
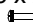


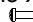


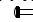


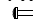
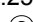

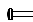
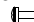
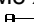
	Tighten Fastener
	Apretar elemento de fijación
	Befestigungsteil festziehen
	Apertar fixador
	Serrare il fissaggio
	Bevestiging vastdraaien
	Serrez les fixations
Сожмите Застежку	

	Phillips Screwdriver
	Destornillador Phillips
	Kreuzschlitzschraubendreher
	Chave de fendas Phillips
	Cacciavite a stella
	Kruiskopschroevendraaier
	Tournevis à pointe cruciforme
Отвертка	

	Loosen Fastener
	Aflojar elemento de fijación
	Befestigungsteil lösen
	Desapertar fixador
	Allentare il fissaggio
	Bevestiging losdraaien
	Desserrez les fixations
Ослабьте Застежку	

	Hex-Head Wrench
	Llave de cabeza hexagonal
	Sechskantschlüssel
	Chave de cabeça sextavada
	Chiave esagonale
	Zeskantsleutel
	Clé à tête hexagonale
Ключ с шестигранной головкой	

TOOLS REQUIRED FOR INSTALLATION AND PARTS

					
	#2	1/8" (provided)			
					
S (2) [Horizontal Mounting Bracket]	T (2) [Vertical Mounting Bracket]		A (8) (Bag A) #10-24 x 1/2" 	H (8) (Bag H) M5 x 16mm 	N (8) (Bag N) .750" x .250" 
			B (6) (Bag B) M8 x 16mm 	I (8) (Bag I) M5 x 25mm 	O (8) (Bag O) 20mm 
			C (6) (Bag C) M8 x 20mm 	J (8) (Bag J) M5 x 40mm 	P (8) (Bag P) #10 
			D (6) (Bag D) M8 x 35mm 	K (8) (Bag K) M4 x 16mm 	Q (8) (Bag P) .318" x .078" 
			E (8) (Bag E) M6 x 16mm 	L (8) (Bag L) M4 x 25mm 	R (8) (Bag P) .250" 
			F (8) (Bag F) M6 x 20mm 	M (8) (Bag M) M4 x 40mm 	
			G (8) (Bag G) M6 x 35mm 		
			S (4) (Bag Q) M8 x 60mm 		

INSTALLATION



WARNING: IMPROPER INSTALLATION CAN LEAD TO MOUNT FALLING CAUSING SERIOUS PERSONAL INJURY OR DAMAGE TO EQUIPMENT! DO NOT substitute hardware. Only use hardware provided or specified by manufacturer.

1. Determine and mark the vertical center position between the Left side Upper and Lower mounting holes in display. (See Figure 1)
2. Determine and mark the vertical center position between the Right side Upper and Lower mounting holes in display. (See Figure 1)
3. Orient vertical mounting bracket (T) so that mounting holes are on top and mounting slots are on bottom. (See Figure 1)
4. Align mounting holes in vertical mounting bracket (T) with upper and lower mounting holes in display.
5. Adjust vertical mounting bracket (T) position until mark made in step 1 aligns with center mark in vertical mounting bracket (T).
6. Secure Left side vertical mounting bracket (T) to display using two flat washer (R), and Phillips pan head screws (B through M). (See Figure 2)

NOTE: If the display has a recessed mounting surface, protrusions or a power box, a spacer and longer mounting hardware must be placed between the display and vertical mounting bracket (T). (See Figure 2)

7. Repeat steps 3 through 6 for Right side vertical mounting bracket using the same hole locations to align brackets horizontally.

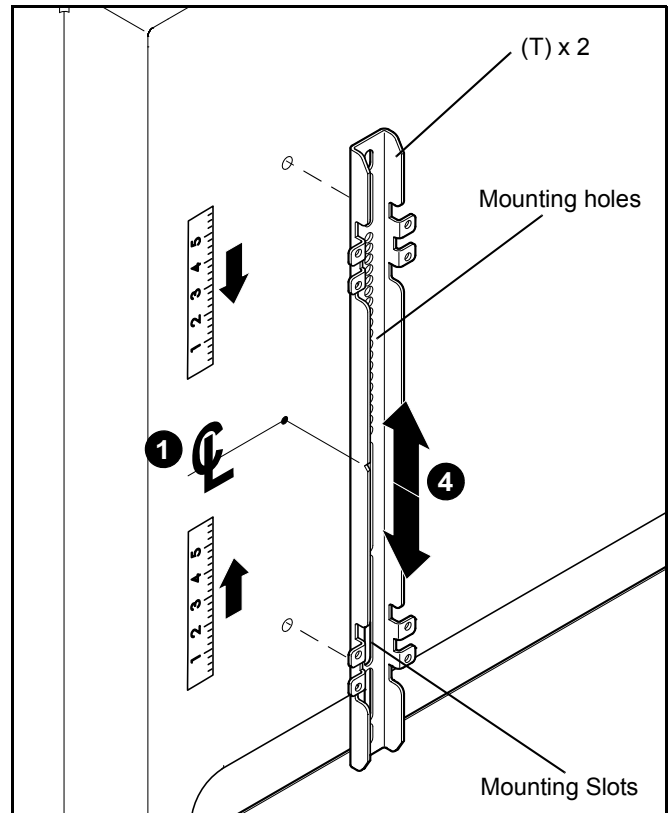


Figure 1

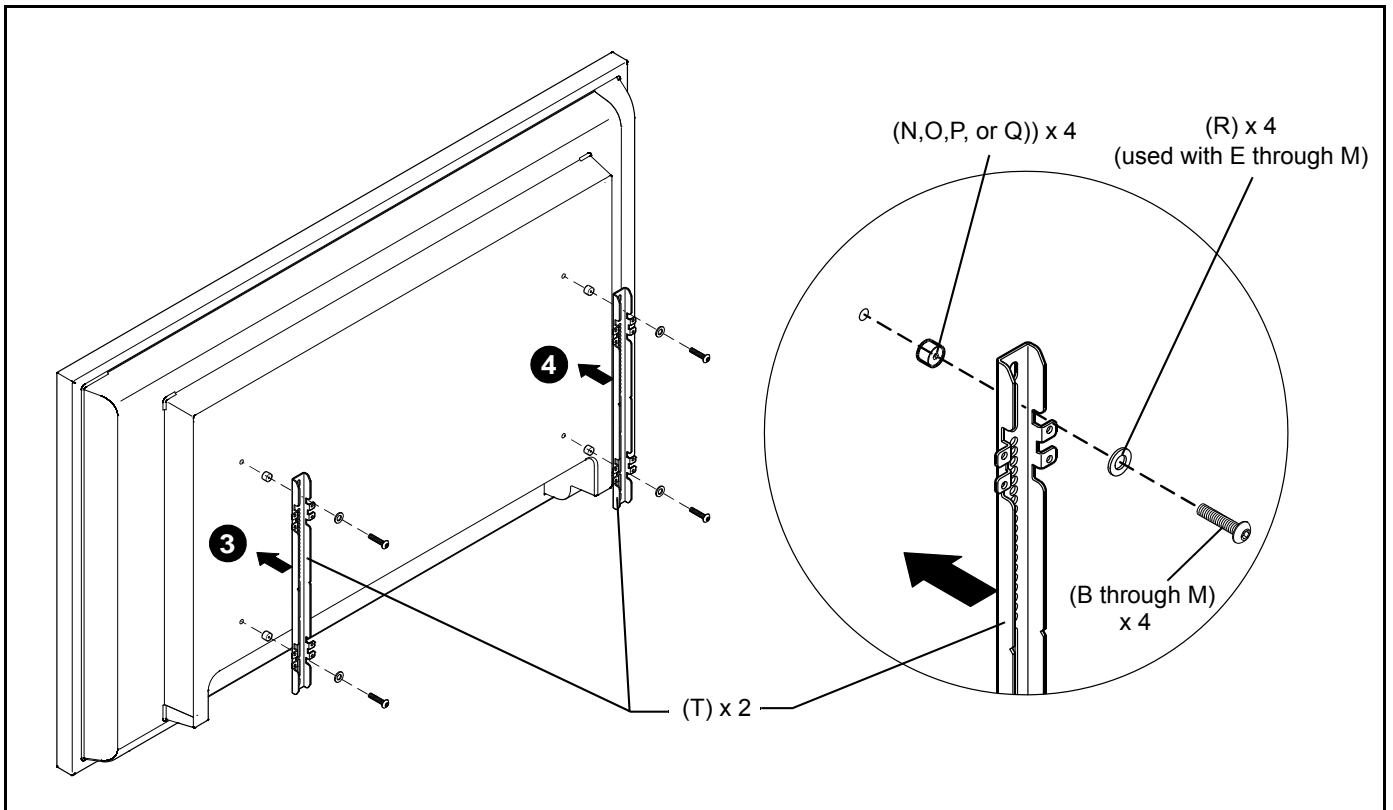


Figure 2

8. Determine and mark the horizontal center position between the Left and Right *TOP* mounting holes in display. (See Figure 3)
9. Determine and mark the vertical center position between the Left and Right *BOTTOM* mounting holes in display. (See Figure 3)
10. Orient upper horizontal mounting bracket (S) so that flanges are facing towards display and resting in recessed area of left and right vertical mounting brackets (T). (See Figure 1)
11. Adjust Upper horizontal mounting bracket (S) position until center diamond in horizontal mounting bracket (S) aligns with mark made in step 8 and mounting holes and slots horizontal mounting bracket (S) are aligned with threaded holes in mounting tabs of left and right vertical mounting brackets (T). (See Figure 3) and (See Figure 4)
12. Secure upper horizontal mounting bracket (S) to left and right vertical mounting brackets (T) using four Button head cap screws (A). (See Figure 4)
13. Repeat steps 10 through 12 for lower horizontal mounting bracket (S).

IMPORTANT ! : The orientation of, and mounting holes used, when installing the lower horizontal mounting bracket must be the same as the upper horizontal mounting bracket. Vertically align upper and lower brackets by aligning holes or end of slots. (See Figure 4)

IMPORTANT ! : Whenever possible install mounting screws diagonally as shown in detail in figure 4 below.

14. Install display with universal interface to mount following the installation instructions provided with the mount.

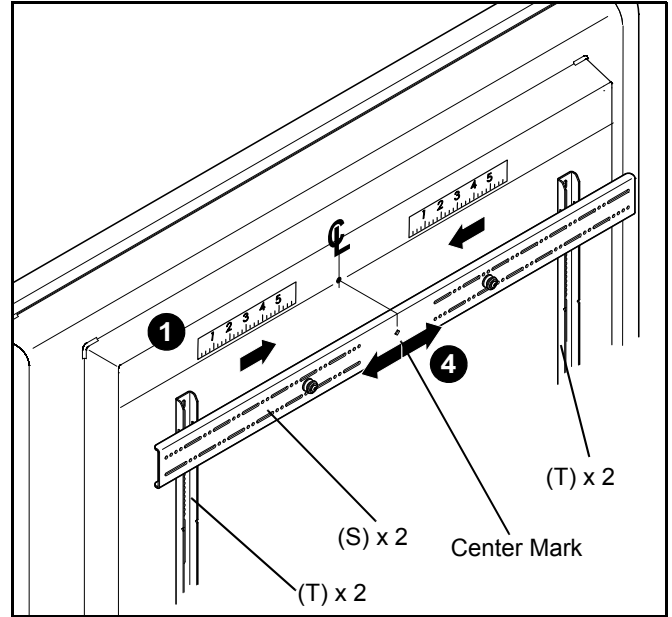


Figure 3

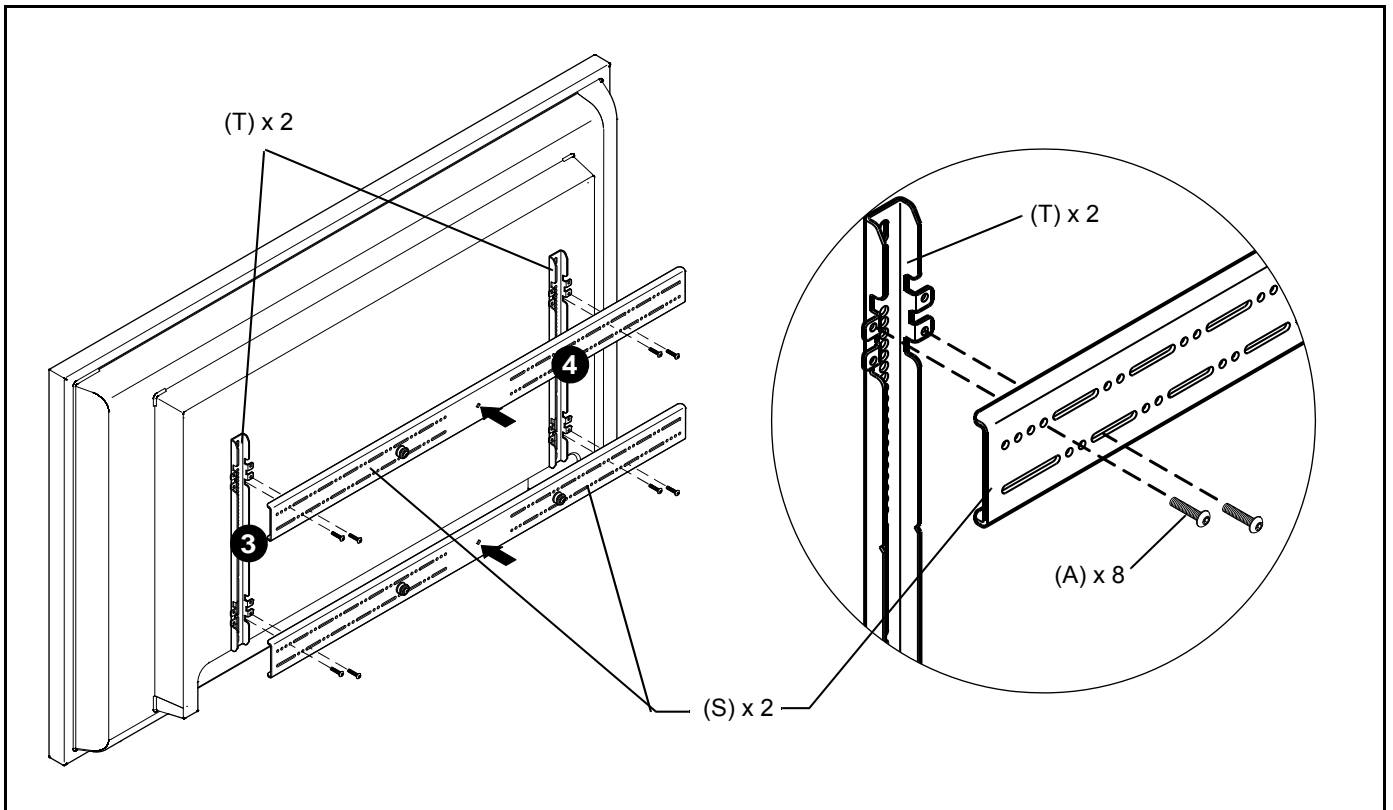


Figure 4



Our Mounts. Your Vision.

Chief Manufacturing, a products
division of Milestone AV Technologies

8832-002010 Rev00
©2009 Milestone Technologies, a
Duchossios Group Company
www.chiefmfg.com
03/09

USA/International A 8401 Eagle Creek Parkway, Savage, MN 55378
P 800.582.6480 / 952.894.6280
F 877.894.6918 / 952.894.6918

Europe A Fellenoord 130 5611 ZB EINDHOVEN, The Netherlands
P +31 (0)40 2668620
F +31 (0)40 2668615

Asia Pacific A Room 24F, Block D, Lily YinDu International Building
LuoGang, BuJi Town, Shenzhen, CHINA.
深圳市布吉罗岗村百合银都国际大厦D栋24F
P +86-755-8996 9226
F +86-755-8996 9217

