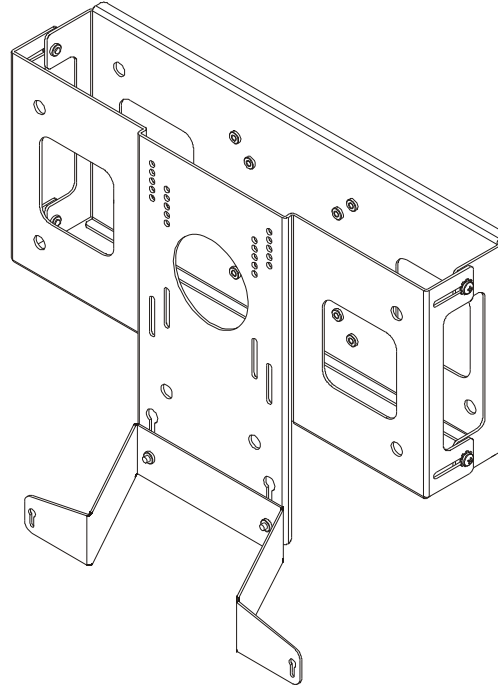


---

# INSTALLATION INSTRUCTIONS

---



---

## Monitor and Bump Bar Interface


---


## DISCLAIMER


Milestone AV Technologies and its affiliated corporations and subsidiaries (collectively "Milestone"), intend to make this manual accurate and complete. However, Milestone makes no claim that the information contained herein covers all details, conditions or variations, nor does it provide for every possible contingency in connection with the installation or use of this product. The information contained in this document is subject to change without notice or obligation of any kind. Milestone makes no representation of warranty, expressed or implied, regarding the information contained herein. Milestone assumes no responsibility for accuracy, completeness or sufficiency of the information contained in this document.


Chief® is a registered trademark of Milestone AV Technologies. All rights reserved.


## IMPORTANT SAFETY INSTRUCTIONS


 **WARNING:** A WARNING alerts you to the possibility of serious injury or death if you do not follow the instructions.


 **CAUTION:** A CAUTION alerts you to the possibility of damage or destruction of equipment if you do not follow the corresponding instructions.


 **WARNING:** Failure to read, thoroughly understand, and follow all instructions can result in serious personal injury, damage to equipment, or voiding of factory warranty! It is the installer's responsibility to make sure all components are properly assembled and installed using the instructions provided.

 **WARNING:** Failure to provide adequate structural strength for this component can result in serious personal injury or damage to equipment! It is the installer's responsibility to make sure the structure to which this component is attached can support five times the combined weight of all equipment. Reinforce the structure as required before installing the component.

 **WARNING:** Exceeding the weight capacity can result in serious personal injury or damage to equipment! It is the installer's responsibility to make sure the combined weight of all components attached to or located within the MSP-WANDKVM1 mount does not exceed 15 lbs (6.8 kg). This includes the display, CPU and the bump bar.

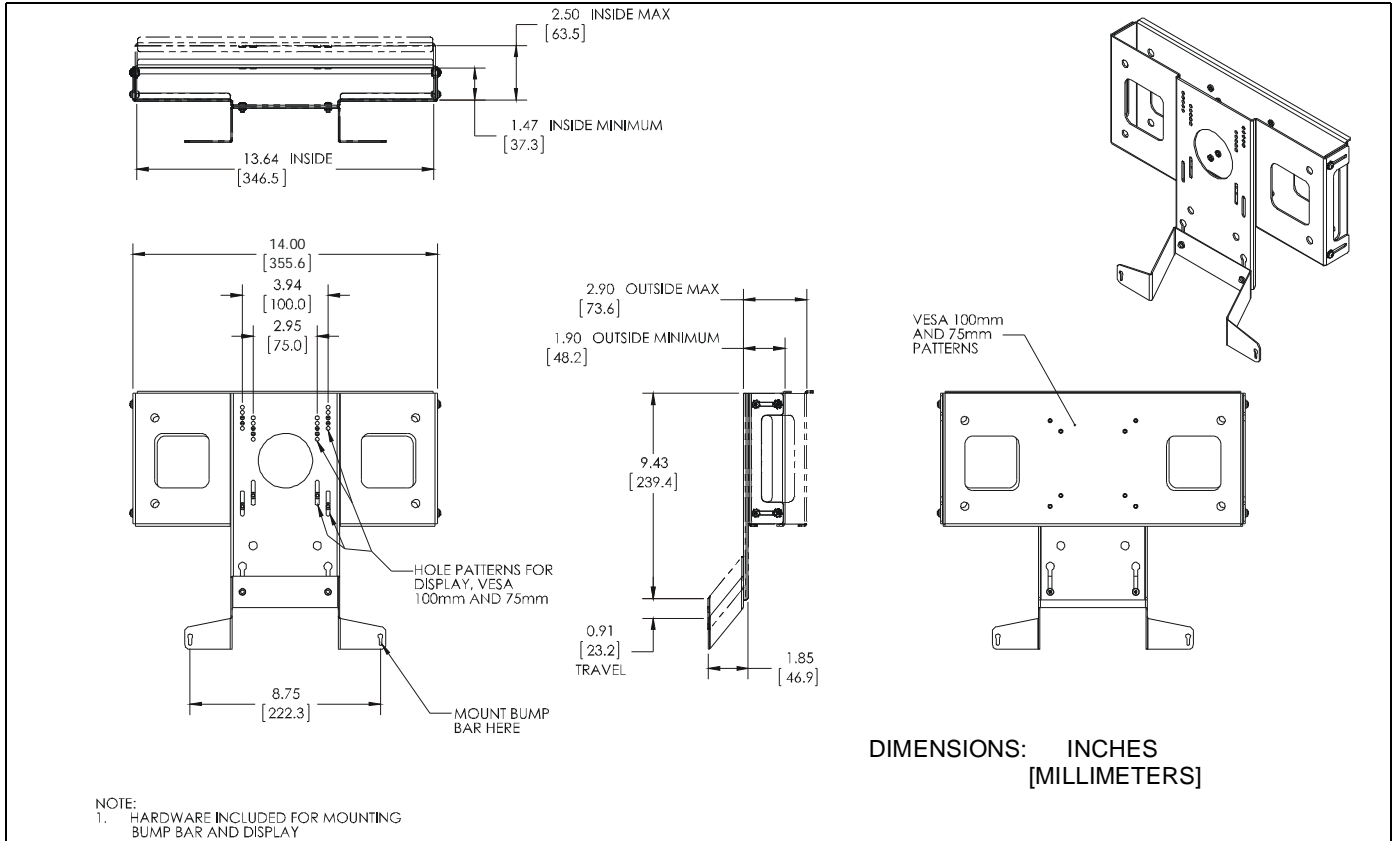
 **WARNING:** Use this mounting system only for its intended use as described in these instructions. Do not use attachments not recommended by the manufacturer.

 **WARNING:** Never operate this mounting system if it is damaged. Return the mounting system to a service center for examination and repair.

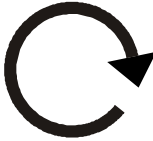




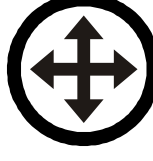






 **WARNING:** Do not use this product outdoors.

**--SAVE THESE INSTRUCTIONS--**

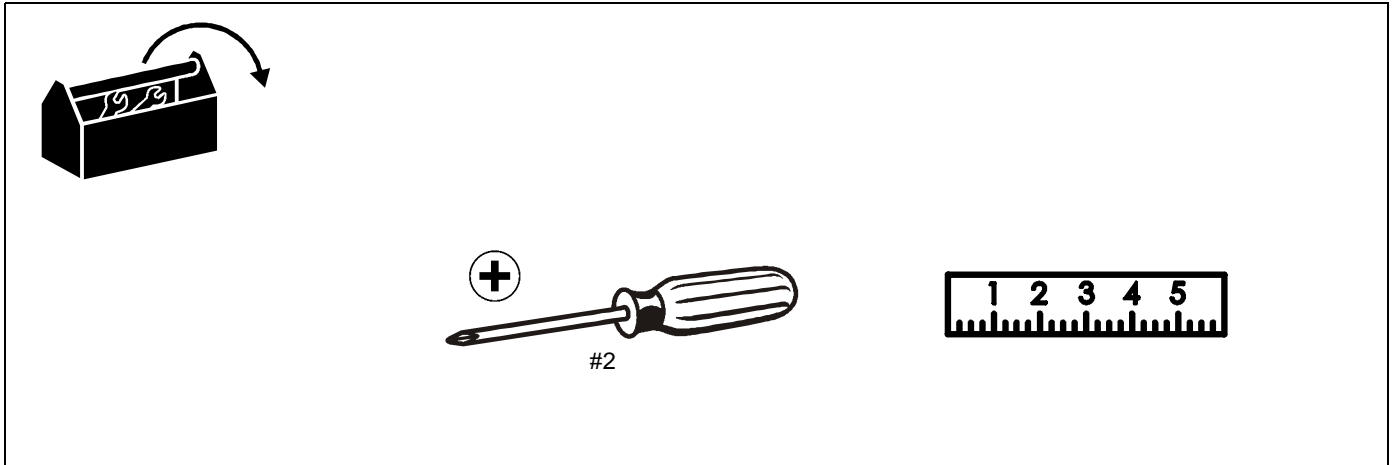
**DIMENSIONS**



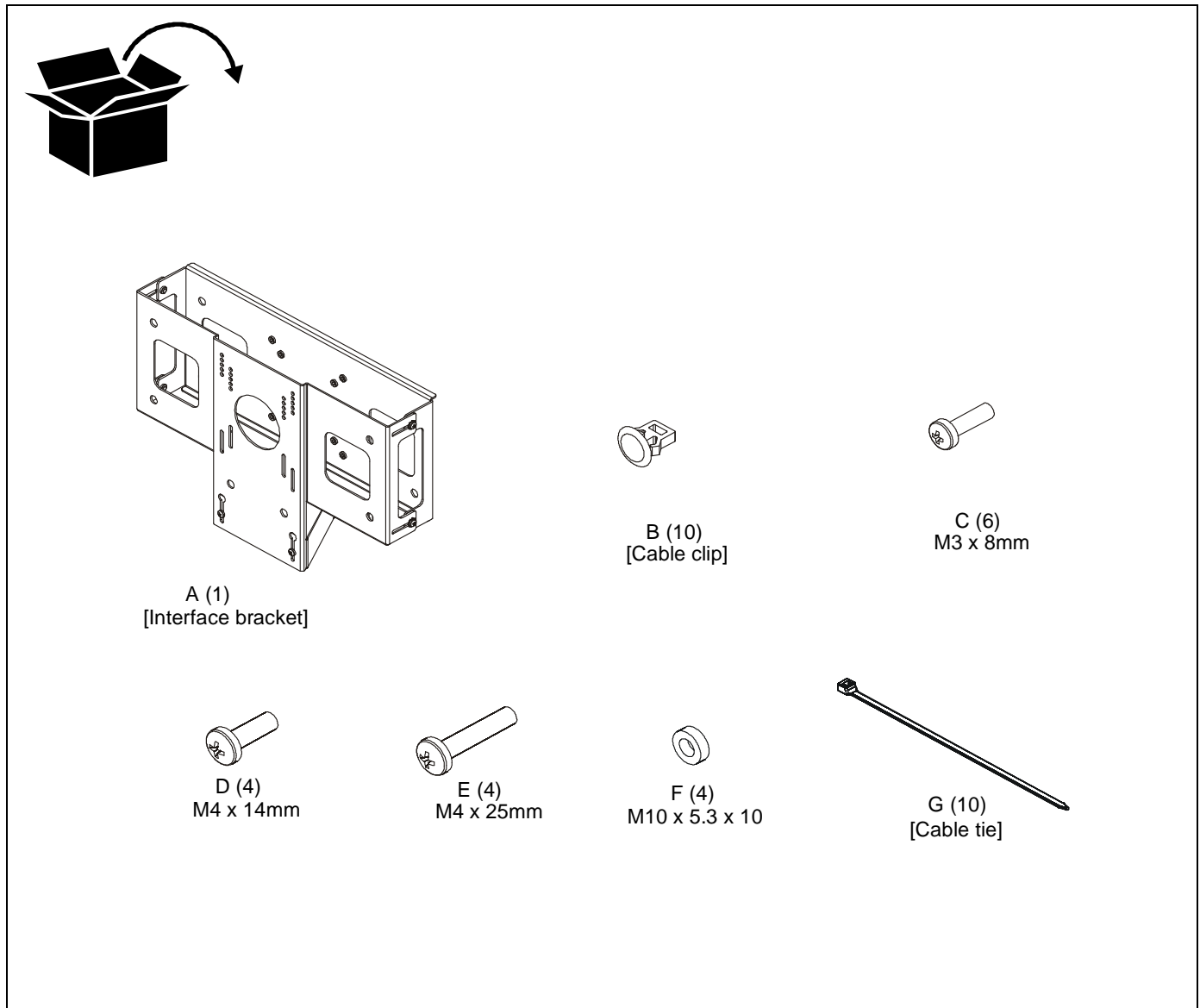
## LEGEND

	<b>Tighten Fastener</b> Apretar elemento de fijación Befestigungsteil festziehen Apertar fixador Serrare il fissaggio Bevestiging vastdraaien Serrez les fixations		<b>Pencil Mark</b> Marcar con lápiz Stiftmarkierung Marcar com lápis Segno a matita Potloodmerkteken Marquage au crayon
	<b>Loosen Fastener</b> Aflojar elemento de fijación Befestigungsteil lösen Desapertar fixador Allentare il fissaggio Bevestiging losdraaien Desserrez les fixations		<b>Drill Hole</b> Perforar Bohrloch Fazer furo Praticare un foro Gat boren Percez un trou
	<b>Phillips Screwdriver</b> Destornillador Phillips Kreuzschlitzschraubendreher Chave de fendas Phillips Cacciavite a stella Kruiskopschroevendraaier Tournevis à pointe cruciforme		<b>Adjust</b> Ajustar Einstellen Ajustar Regolare Afstellen Ajuster
	<b>Open-Ended Wrench</b> Llave de boca Gabelschlüssel Chave de bocas Chiave a punte aperte Steeksleutel Clé à fourche		<b>Remove</b> Quitar Entfernen Remover Rimuovere Verwijderen Retirez
	<b>By Hand</b> A mano Von Hand Com a mão A mano Met de hand À la main		<b>Optional</b> Opcional Optional Opcional Opzionale Optie En option
	<b>Hex-Head Wrench</b> Llave de cabeza hexagonal Sechskantschlüssel Chave de cabeça sextavada Chiave esagonale Zeskantsleutel Clé à tête hexagonale		<b>Security Wrench</b> Llave de seguridad Sicherheitsschlüssel Chave de segurança Chiave di sicurezza Veiligheidsleutel Clé de sécurité

### TOOLS REQUIRED FOR INSTALLATION



### PARTS



### Assembly And Installation

**NOTE:** For packaging reasons, the bump bar bracket comes installed in the wrong direction when it is shipped. It must be removed and reinstalled in the correct direction (See Steps 1-2) prior to proceeding with installation.

1. Remove bump bar bracket from interface bracket (A) by unscrewing the two screws holding it to the interface bracket. (See Figure 1)

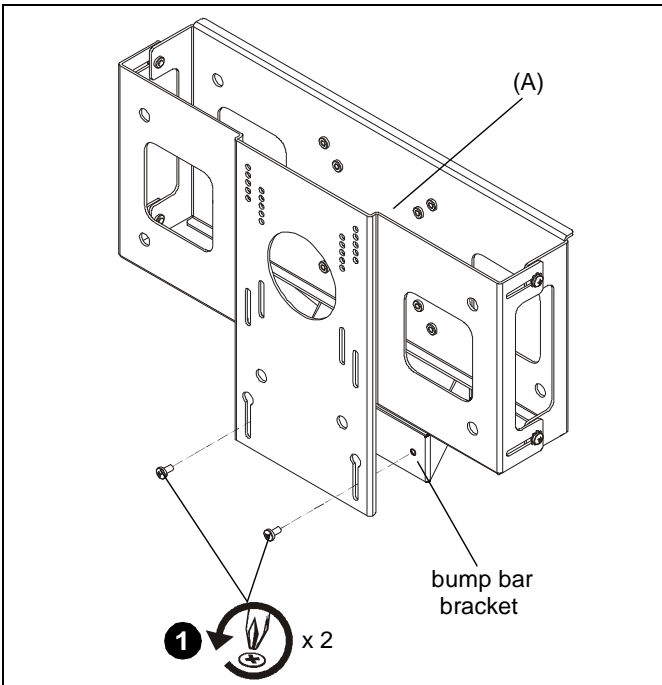


Figure 1

2. Reinstall bump bar bracket in the correct direction using two screws removed in Step 1. (See Figure 2)

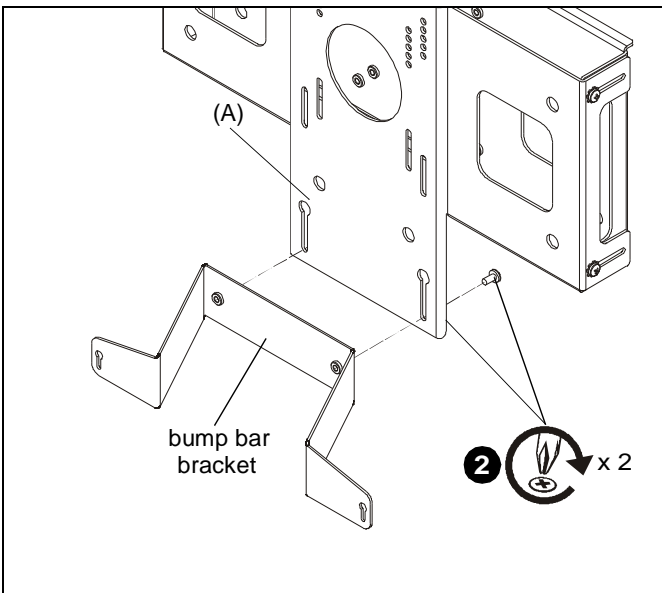


Figure 2

**IMPORTANT ! :** The MSP-WANDKVM1 was designed specifically to be installed onto Chief's K1W120 wall mount. Do NOT install it onto any other mounting system or device.

**NOTE:** This installation procedure assumes the K1W120 mount has already been installed to the wall at the desired mounting location. See K1W Series installation instructions for details.

3. Remove quick release faceplate from K1W120 mount by pulling quick release lever and sliding faceplate off mount. (See Figure 3)

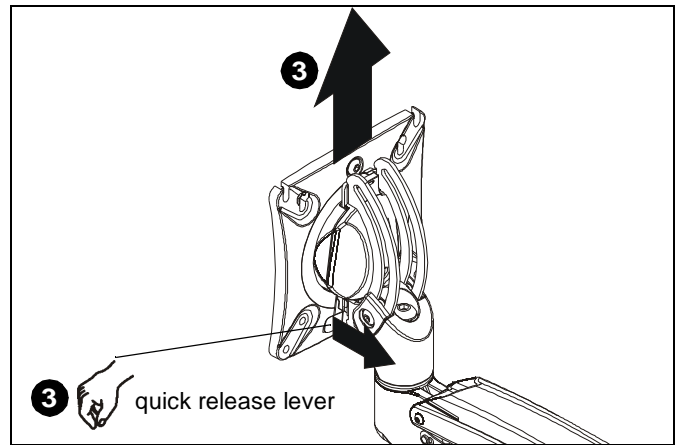


Figure 3

4. Using Phillips screwdriver, carefully install four M4x14mm screws (from K1W120 mount) through corresponding holes on faceplate and into the mounting holes on the back of interface bracket (A). (See Figure 4)

**NOTE:** If additional space is desired between faceplate and interface bracket, use M4x14mm screws and M10 spacers (from K1W120 mount). (See Figure 5)

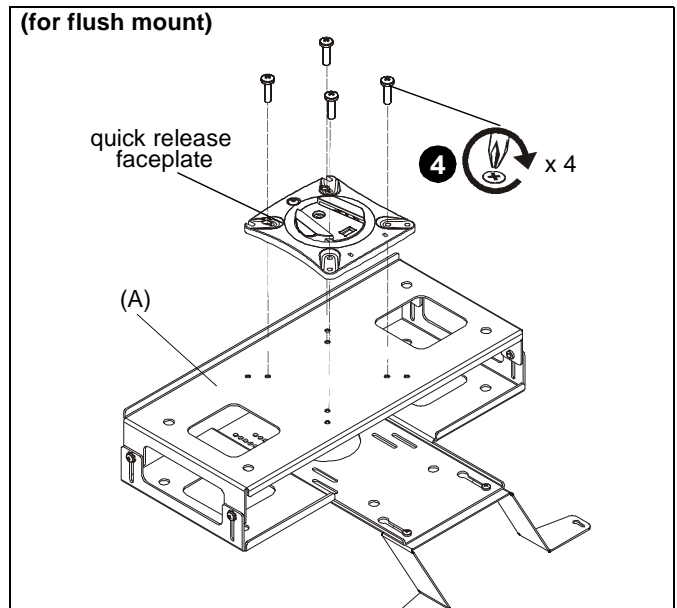


Figure 4

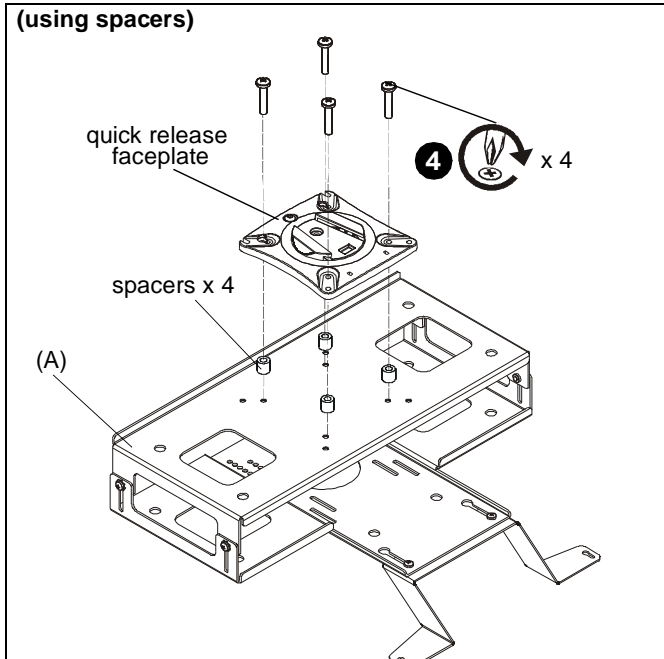


Figure 5

5. Place display face down on a flat, non-abrasive surface.
6. Connect to display



**WARNING:** Exceeding the weight capacity can result in serious personal injury or damage to equipment! It is the installer's responsibility to make sure the combined weight of all components attached to or located within the MSP-WANDKVM1 mount does not exceed 15 lbs (6.8 kg). This includes the display, CPU and the bump bar.

**For flush mounting holes:**

- Use four M4x14mm Phillips pan machine screws (D) to secure interface bracket (A) to back of display. (See Figure 6)

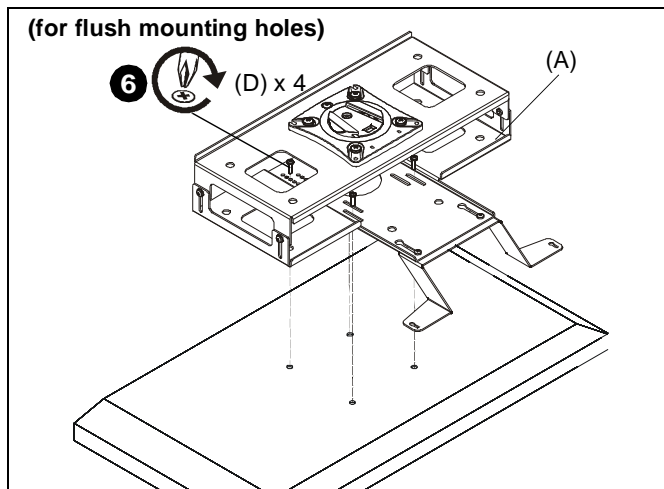


Figure 6

**For recessed mounting holes:**

- Use four M4x25mm Phillips pan machine screws (E) and M10 spacers (F) to secure interface bracket (A) to back of display. (See Figure 7)

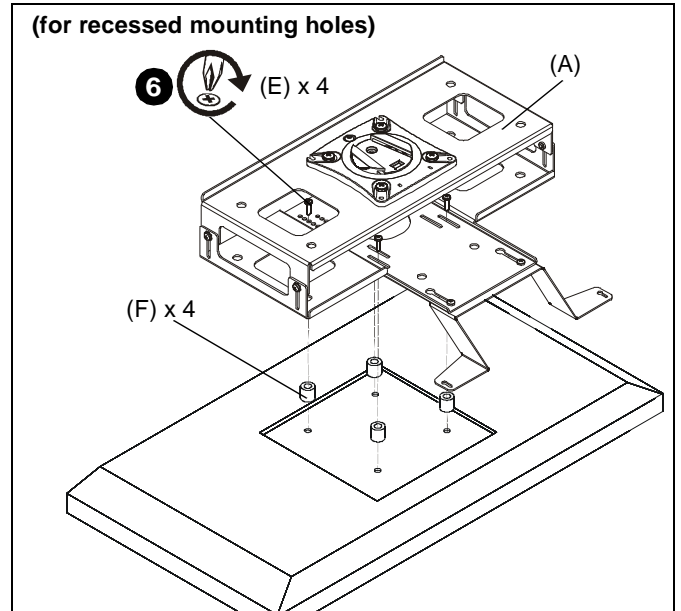


Figure 7

7. Use two M3 x 8mm Phillips pan machine screws (C) to secure bump bar to bump bar bracket. (See Figure 8)

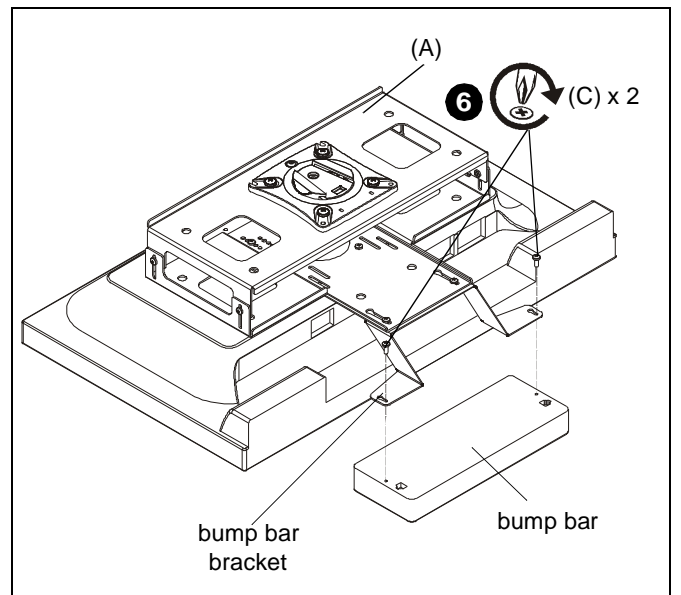


Figure 8

8. Position display with interface attached above mount. (See Figure 9)
9. Slide faceplate onto mounting head until quick release tab clicks into place. (See Figure 9)

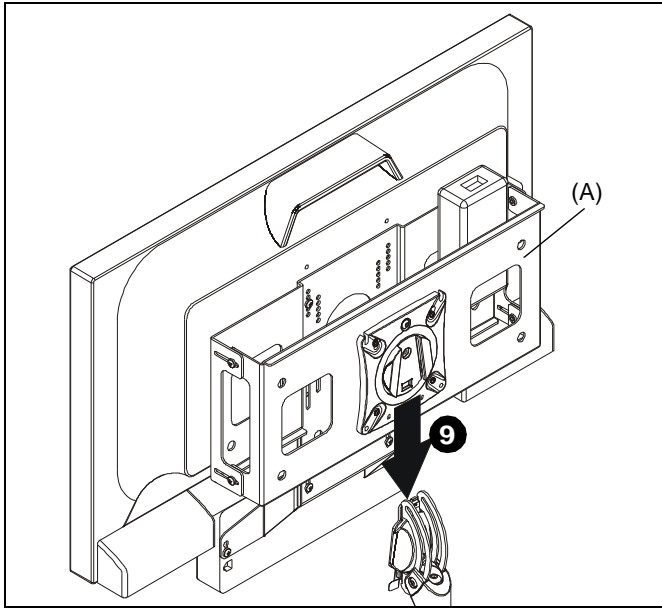


Figure 9

**CPU Installation**

1. Loosen four screws holding two brackets together. (See Figure 10)
2. Pull brackets apart until there is enough room to fit CPU into cavity. (See Figure 10)

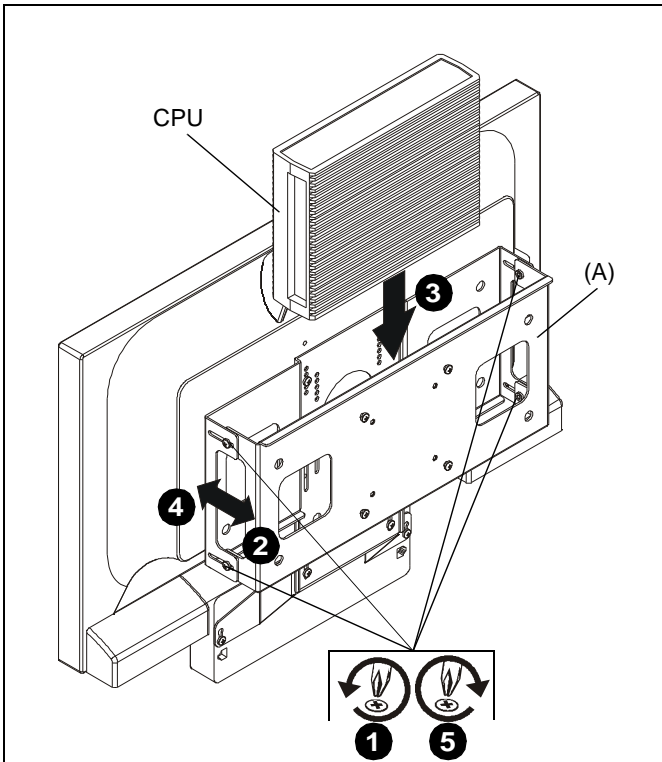


Figure 10

3. Insert CPU unit into interface bracket (A) cavity from above. (See Figure 10)
4. Push brackets together until CPU fits securely in cavity. (See Figure 10)
5. Tighten four screws holding two main brackets to secure mount in final position. (See Figure 10)

**Cable Management**

1. Use cable clips (B) and cable ties (G) to route cables as desired to interface bracket (A). (See Figure 11)

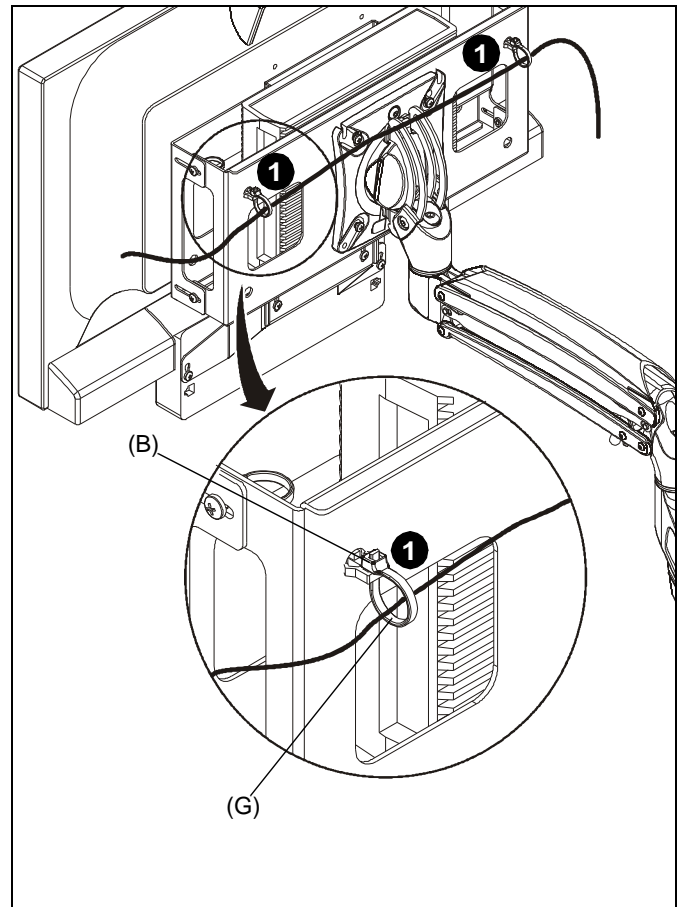


Figure 11











Our Mounts. **Your Vision.**

Chief, a products division of  
Milestone AV Technologies

8800-002538 Rev00  
©2014 Milestone AV Technologies  
[www.chiefmfg.com](http://www.chiefmfg.com)  
04/14

<b>USA/International</b>	<b>A</b> 6436 City West Parkway, Eden Prairie, MN 55344
	<b>P</b> 800.582.6480 / 952.225.6000
	<b>F</b> 877.894.6918 / 952.894.6918
<b>Europe</b>	<b>A</b> Franklinstraat 14, 6003 DK Weert, Netherlands
	<b>P</b> +31 (0) 495 580 852
	<b>F</b> +31 (0) 495 580 845
<b>Asia Pacific</b>	<b>A</b> Office No. 918 on 9/F, Shatin Galleria 18-24 Shan Mei Street Fotan, Shatin, Hong Kong
	<b>P</b> 852 2145 4099
	<b>F</b> 852 2145 4477

