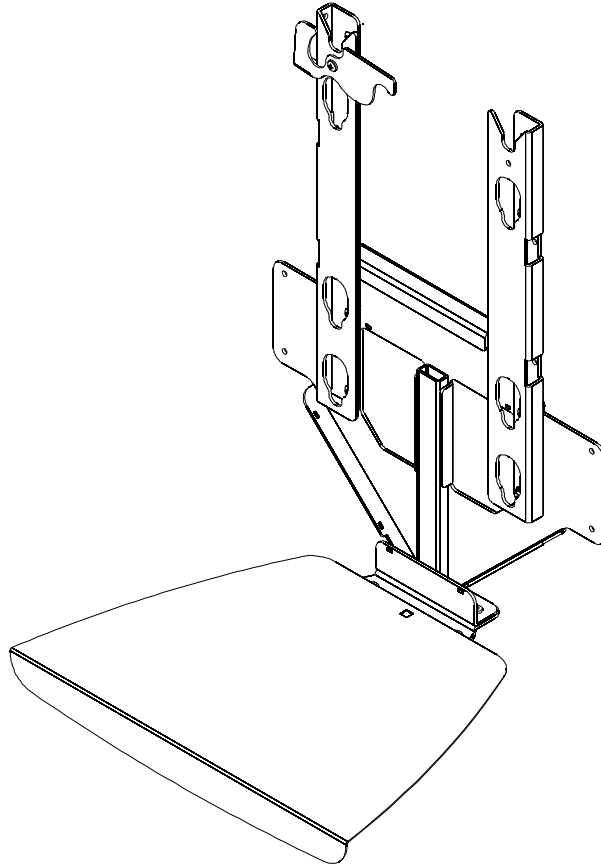


INSTALLATION INSTRUCTIONS



Shelf Mounting Accessory

DISCLAIMER

Milestone AV Technologies, Inc., and its affiliated corporations and subsidiaries (collectively, "Milestone"), intend to make this manual accurate and complete. However, Milestone makes no claim that the information contained herein covers all details, conditions or variations, nor does it provide for every possible contingency in connection with the installation or use of this product. The information contained in this document is subject to change without notice or obligation of any kind. Milestone makes no representation of warranty, expressed or implied, regarding the information contained herein. Milestone assumes no responsibility for accuracy, completeness or sufficiency of the information contained in this document.

Chief® is a registered trademark of Milestone. All rights reserved.

IMPORTANT WARNINGS AND CAUTIONS!

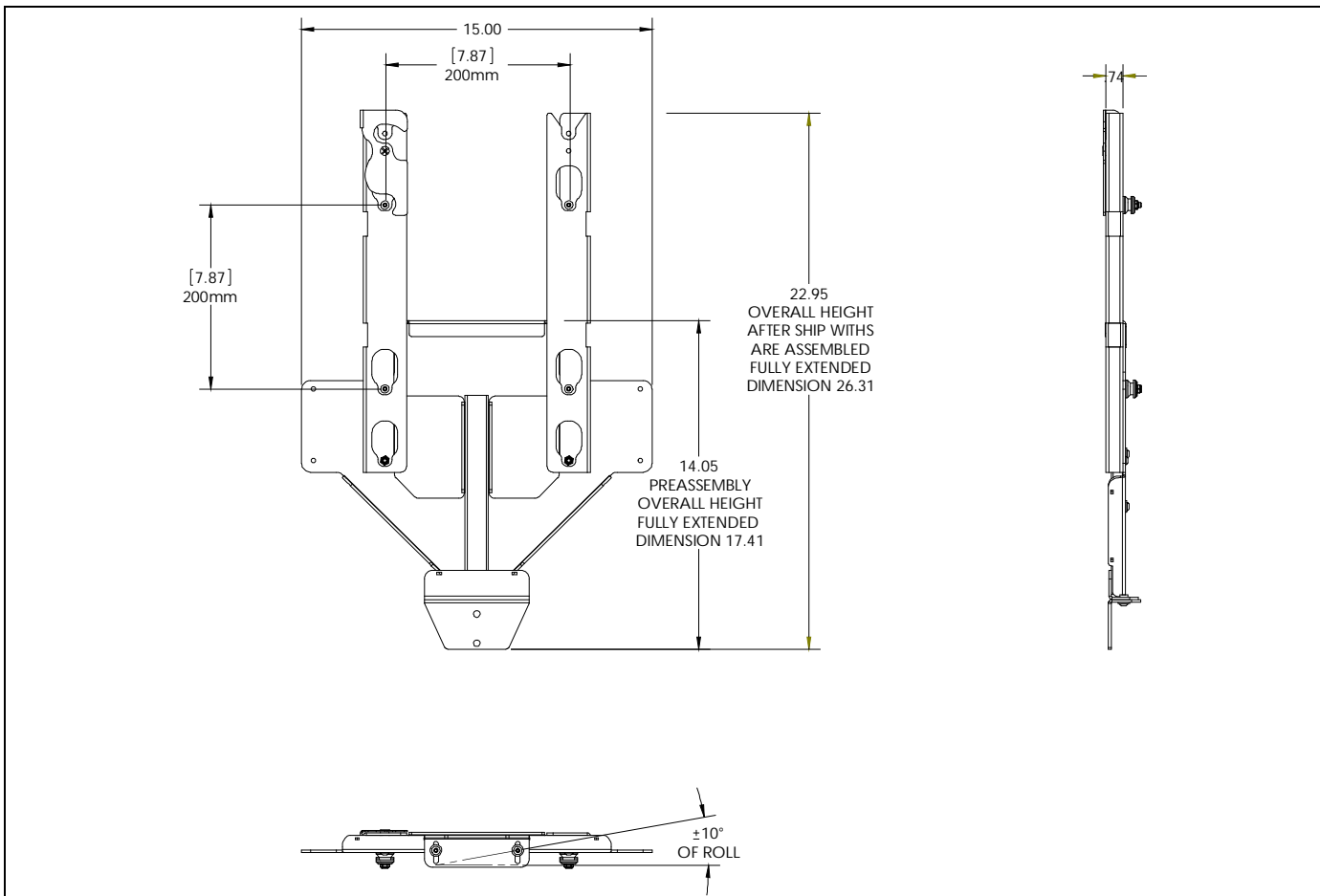
WARNING: A WARNING alerts you to the possibility of serious injury or death if you do not follow the instructions.

CAUTION: A CAUTION alerts you to the possibility of damage or destruction of equipment if you do not follow the corresponding instructions.

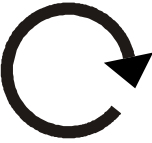
WARNING: Failure to read, thoroughly understand, and follow all instructions can result in serious personal injury, damage to equipment, or voiding of factory warranty! It is the installer's responsibility to make sure all components are properly assembled and installed using the instructions provided.


WARNING: Failure to provide adequate structural strength for this component can result in serious personal injury or damage to equipment! It is the installer's responsibility to make sure the structure to which this component is attached can support five times the combined weight of all equipment. Reinforce the structure as required before installing the component.


WARNING: Exceeding the weight capacity can result in serious personal injury or damage to equipment! It is the installer's responsibility to make sure the combined weight of all components attached to the MSP-WES1 does not exceed 10 lbs (4.54 kg).





LEGEND

| | |
|---|------------------------------|
|  | Tighten Fastener |
| | Apretar elemento de fijación |
| | Befestigungsteil festziehen |
| | Apertar fixador |
| | Serrare il fissaggio |
| | Bevestiging vastdraaien |
| Serrez les fixations | |

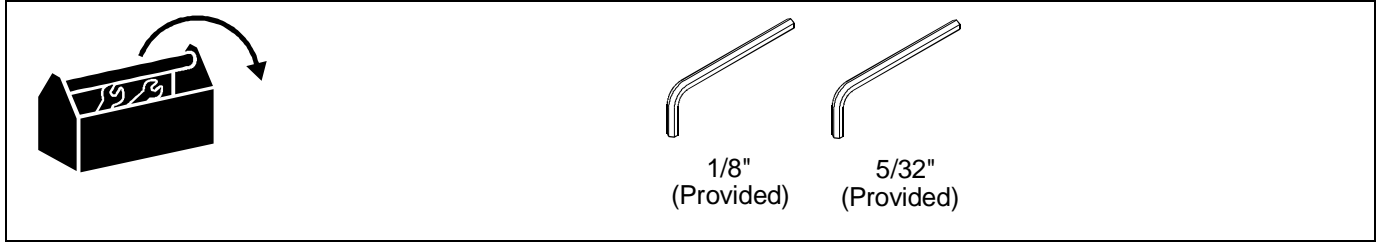
| | |
|--|---------------|
|  | Adjust |
| | Ajustar |
| | Einstellen |
| | Ajustar |
| | Regolare |
| | Afstellen |
| Ajuster | |

| | |
|---|------------------------------|
|  | Loosen Fastener |
| | Aflojar elemento de fijación |
| | Befestigungsteil lösen |
| | Desapertar fixador |
| | Allentare il fissaggio |
| | Bevestiging losdraaien |
| Desserrez les fixations | |

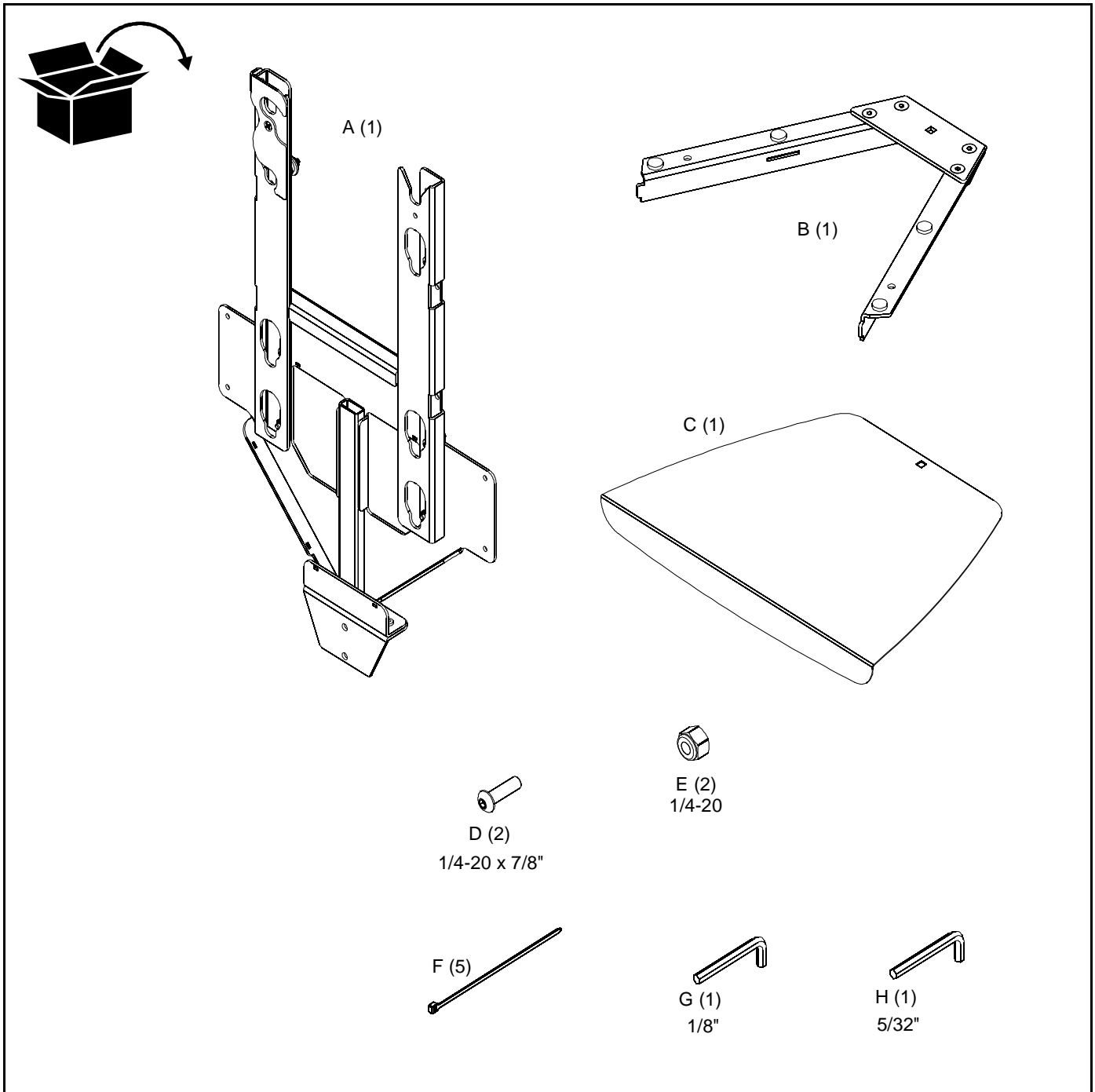
| | |
|--|------------------------|
|  | Security Wrench |
| | Llave de seguridad |
| | Sicherheitsschlüssel |
| | Chave de segurança |
| | Chiave di sicurezza |
| | Veiligheidssleutel |
| Clé de sécurité | |

| | |
|--|---------------------------|
|  | Hex-Head Wrench |
| | Llave de cabeza hexagonal |
| | Sechskantschlüssel |
| | Chave de cabeça sextavada |
| | Chiave esagonale |
| | Zeskantsleutel |
| Clé à tête hexagonale | |

TOOLS REQUIRED FOR INSTALLATION



PARTS



Assembly and Installation

Install Shelf (PAC101)

1. Attach shelf bracket (B) to MSP-WES1 (A) using two 1/4-20 x 7/8" button head cap screws (D) and two 1/4-20 Nylock lock nuts (E). (See Figure 1)

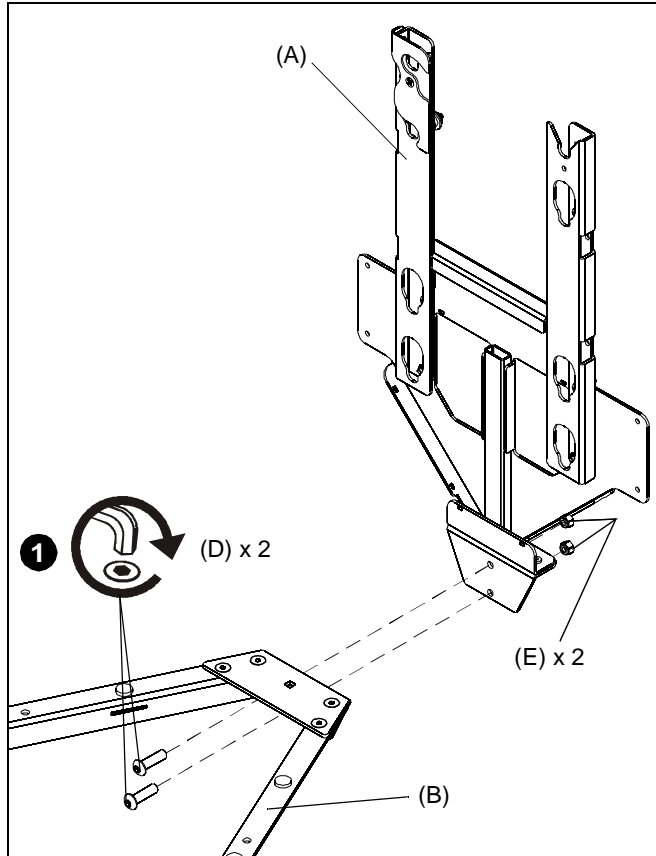


Figure 1

2. Attach shelf (C) to shelf bracket (B) following the PAC101 instructions.

⚠ WARNING: IMPROPER INSTALLATION CAN LEAD TO SEVERE PERSONAL INJURY OR DAMAGE TO EQUIPMENT! ALWAYS follow shelf installation instructions when mounting shelf to avoid possible damage to shelf.

Install MSP-WES1 to Mount and Display to MSP-WES1

1. Install MSP-WES1 to mount following the installation instructions provided with the mount. (See Figure 2)

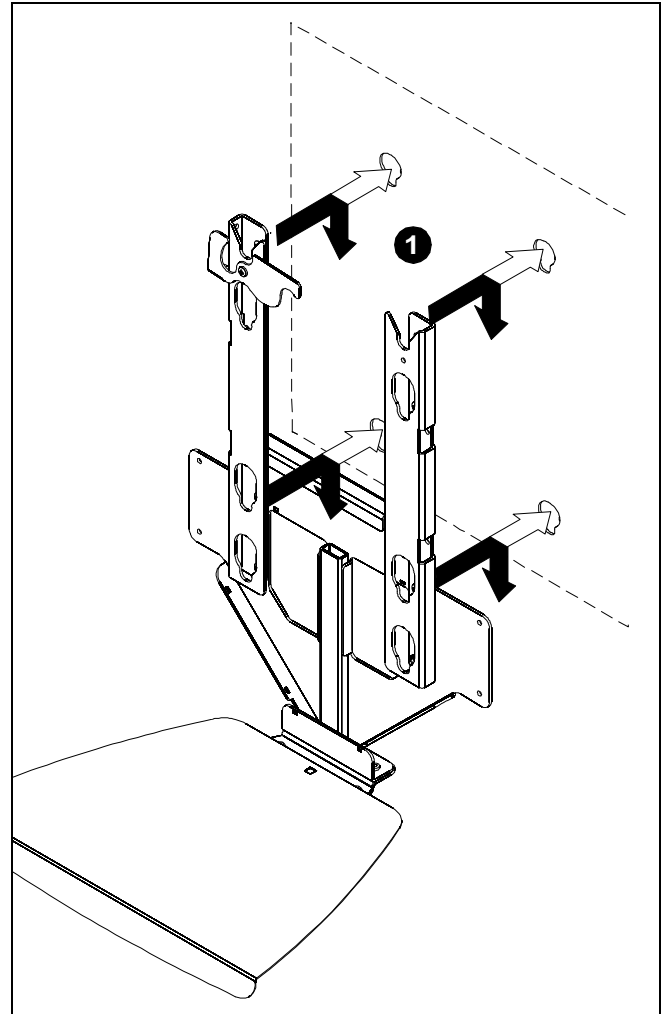


Figure 2

2. Verify latching flag is in the OPEN position. (See Figure 3)
3. Align four mounting buttons on display with four teardrop mounting holes in MSP-WES1.
4. Slide mounting buttons into teardrop mounting holes and lower display until recessed area of mounting buttons is seated in lower area of teardrop mounting holes.

⚠ WARNING: IMPROPER INSTALLATION CAN LEAD TO DISPLAY FALLING CAUSING SEVERE PERSONAL INJURY OR DAMAGE TO EQUIPMENT. Make sure ALL mounting buttons are properly seated in lower area of four teardrop mounting holes.

5. Move latching flag to CLOSED position to secure display on accessory. (See Figure 3)

NOTE: A padlock or similar device can be used to provide additional security.

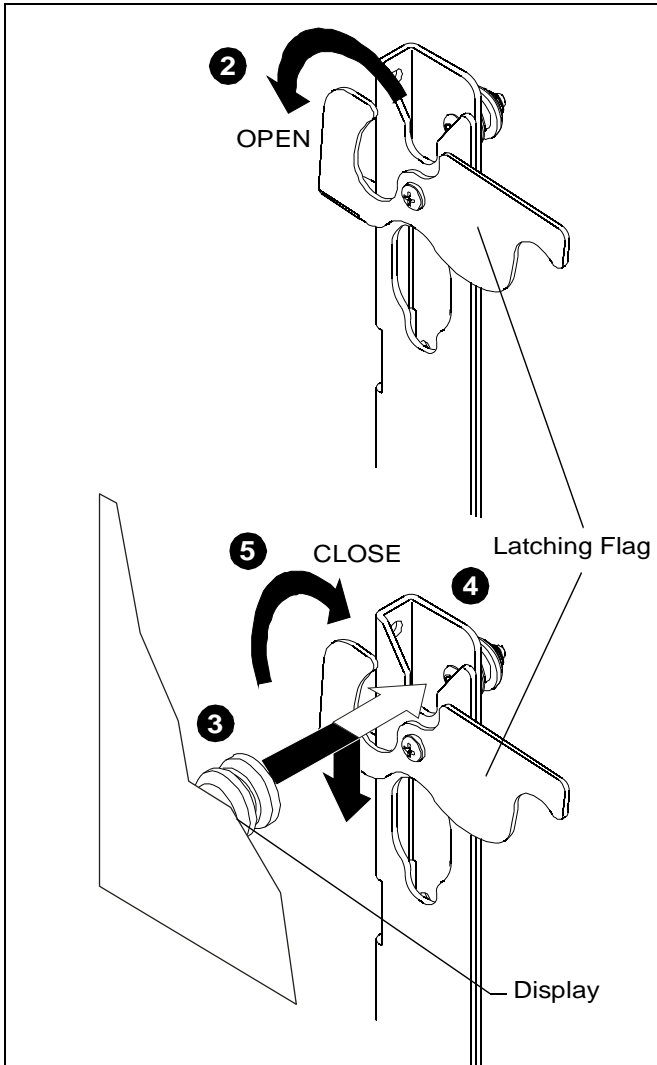


Figure 3

Adjustments

The MSP-WES1 allows for vertical adjustment of the shelf to provide a flush installation against the bottom of the display. The MSP-WES1 also provides up to 10° of YAW adjustment for proper shelf alignment with bottom of display.

To adjust shelf vertical position:

1. Loosen two button head cap screws securing shelf mounting bracket to support plate using 1/8" hex wrench (F). (See Figure 4)
2. Reposition shelf up or down to desired position.
3. Tighten two button head cap screws securing shelf mounting bracket to support plate using 1/8" hex wrench (G). (See Figure 4)

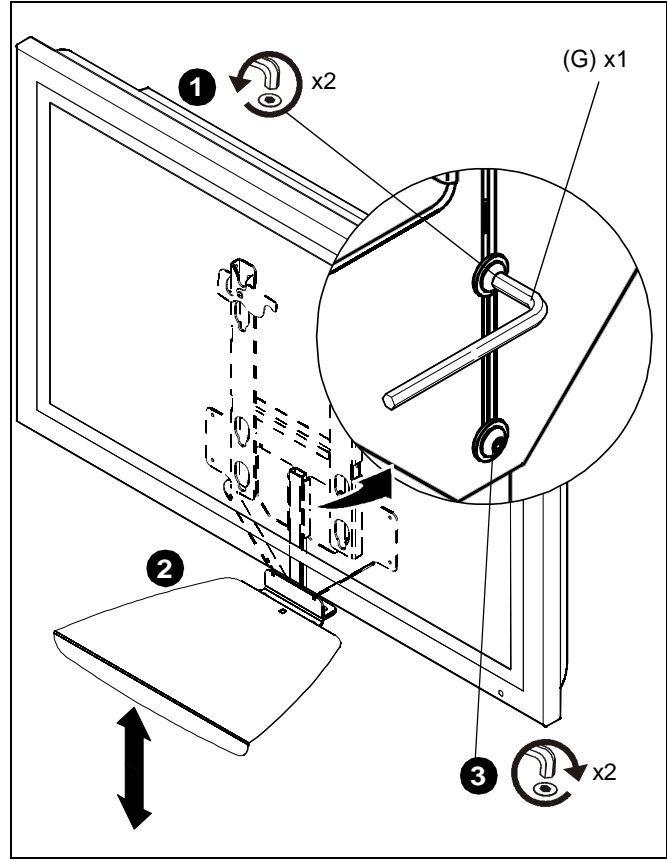


Figure 4

To adjust shelf YAW position:

1. Loosen two button head cap screws securing shelf mounting bracket to shelf vertical adjustment bracket using 1/8" hex wrench (G) provided. (See Figure 5)
2. Reposition shelf to desired position.
3. Tighten two button head cap screws securing shelf mounting bracket to shelf vertical adjustment bracket using 1/8" hex wrench (G) provided. (See Figure 5)

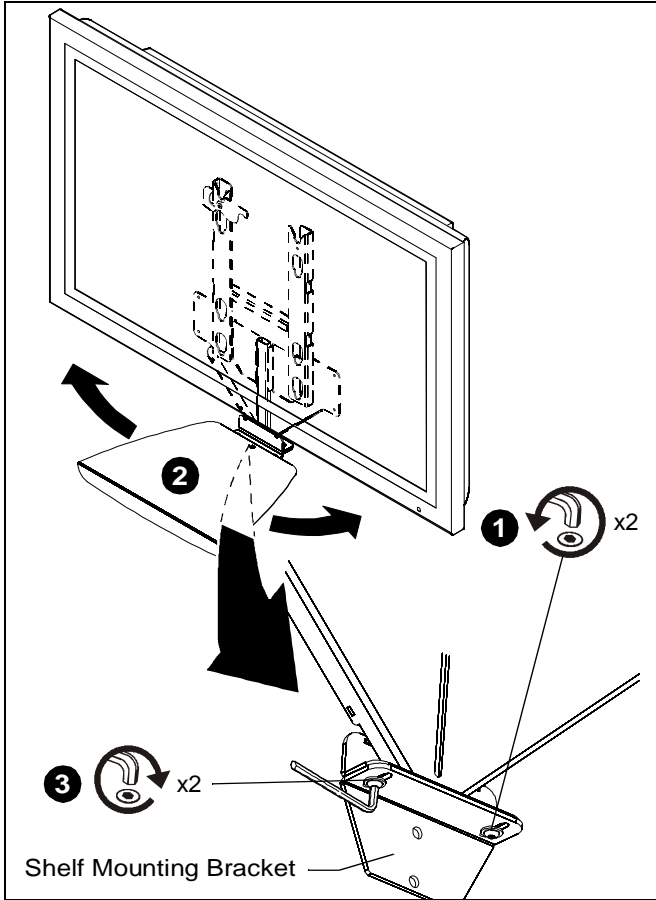


Figure 5

Route cables and wires to display and speakers following manufacturers installation instructions.



Chief Manufacturing, a division of
Milestone AV Technologies, Inc.

8832-000252
©2008 Milestone AV Technologies
www.chiefmfg.com
05/08

| | |
|--------------------------|--|
| USA/International | A 8401 Eagle Creek Parkway, Savage, MN 55378 P 800.582.6480 / 952.894.6280 F 877.894.6918 / 952.894.6918 |
| Europe | A Fellenoord 130 5611 ZB EINDHOVEN, The Netherlands P +31 (0)40 2668620 F +31 (0)40 2668615 |
| Asia Pacific | A Room 24F, Block D, Lily YinDu International Building LuoGang, BuJi Town, Shenzhen, CHINA. 深圳市布吉罗岗村百合银都国际大厦D栋24F P +86-755-8996 9226 F +86-755-8996 9217 |