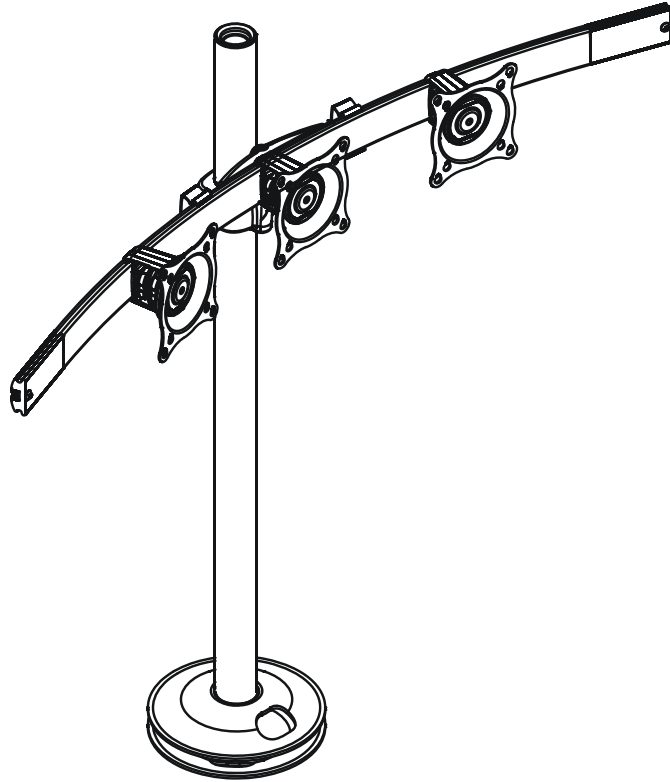

INSTALLATION INSTRUCTIONS



54" Array Extrusion with 3 heads

DISCLAIMER

Milestone AV Technologies and its affiliated corporations and subsidiaries (collectively "Milestone"), intend to make this manual accurate and complete. However, Milestone makes no claim that the information contained herein covers all details, conditions or variations, nor does it provide for every possible contingency in connection with the installation or use of this product. The information contained in this document is subject to change without notice or obligation of any kind. Milestone makes no representation of warranty, expressed or implied, regarding the information contained herein. Milestone assumes no responsibility for accuracy, completeness or sufficiency of the information contained in this document.

Chief® and Centris™ are registered trademarks of Milestone AV Technologies. All rights reserved.



IMPORTANT WARNINGS AND CAUTIONS!



WARNING: A WARNING alerts you to the possibility of serious injury or death if you do not follow the instructions.



CAUTION: A CAUTION alerts you to the possibility of damage or destruction of equipment if you do not follow the corresponding instructions.



WARNING: Failure to read, thoroughly understand, and follow all instructions can result in serious personal injury, damage to equipment, or voiding of factory warranty! It is the installer's responsibility to make sure all components are properly assembled and installed using the instructions provided.

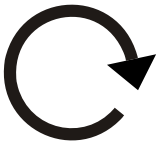

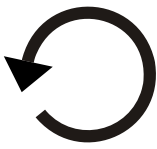











WARNING: Failure to provide adequate structural strength for this component can result in serious personal injury or damage to equipment! It is the installer's responsibility to make sure the structure to which this component is attached can support five times the combined weight of all equipment. Reinforce the structure as required before installing the component.

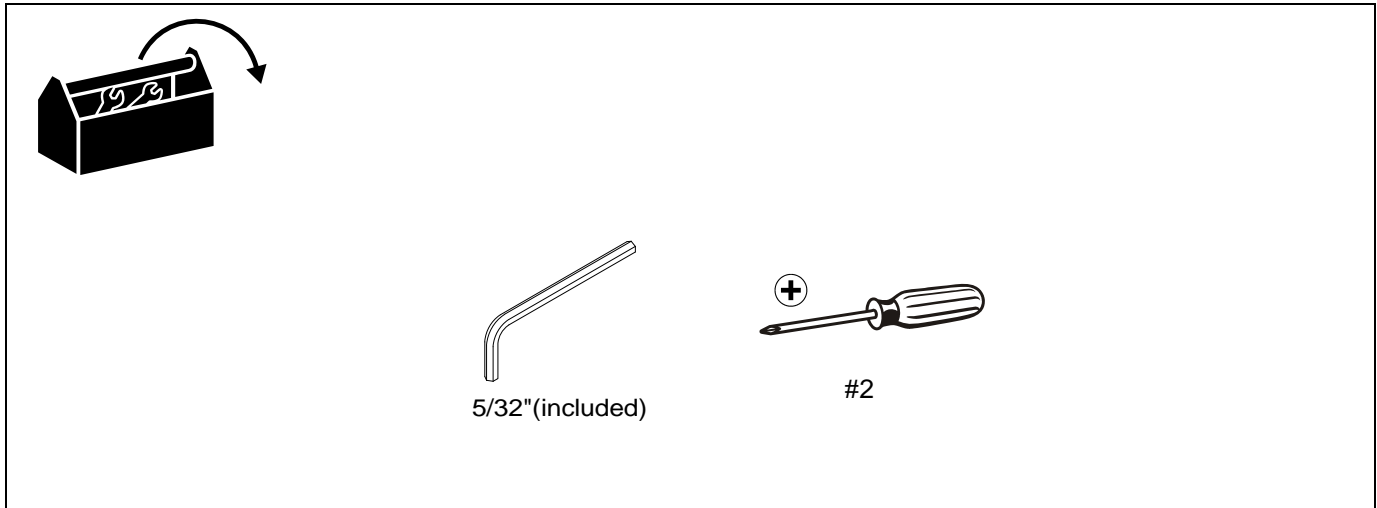


WARNING: Exceeding the weight capacity can result in serious personal injury or damage to equipment! It is the installer's responsibility to make sure the combined weight of all components attached to the MSP-WINST1 array mount does not exceed 90 lbs (22.68 kg). No individual display can exceed 30 lbs (13.6 kg).

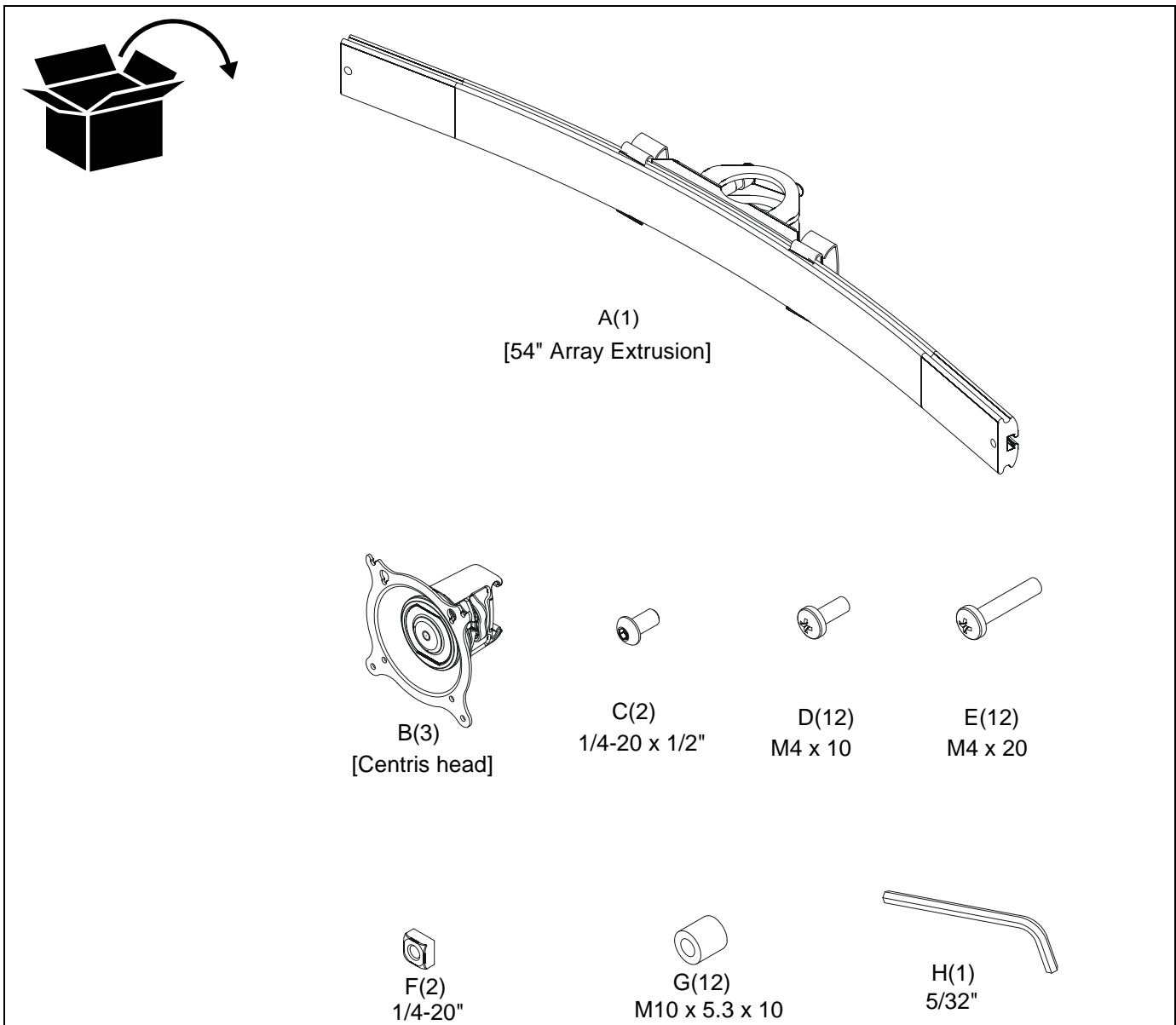
LEGEND

	<p>Tighten Fastener Apretar elemento de fijación Befestigungsteil festziehen Apertar fixador Serrare il fissaggio Bevestiging vastdraaien Serrez les fixations</p>		<p>Pencil Mark Marcar con lápiz Stiftmarkierung Marcar com lápis Segno a matita Potloodmerkten Marquage au crayon</p>
	<p>Loosen Fastener Aflojar elemento de fijación Befestigungsteil lösen Desapertar fixador Allentare il fissaggio Bevestiging losdraaien Desserrez les fixations</p>		<p>Drill Hole Perforar Bohrloch Fazer furo Praticare un foro Gat boren Percez un trou</p>
	<p>Phillips Screwdriver Destornillador Phillips Kreuzschlitzschraubendreher Chave de fendas Phillips Cacciavite a stella Kruiskopschroevendraaier Tournevis à pointe cruciforme</p>		<p>Socket Wrench Llave de cubo Llave de cubo Chave de caixa Chiave a brugola Dopsleutel Clé à douilles</p>
	<p>Open-Ended Wrench Llave de boca Gabelschlüssel Chave de bocas Chiave a punte aperte Steeksleutel Clé à fourche</p>		<p>Remove Quitar Entfernen Remover Rimuovere Verwijderen Retirez</p>
	<p>By Hand A mano Von Hand Com a mão A mano Met de hand À la main</p>		<p>Optional Opcional Optional Opcional Opzionale Optie En option</p>
	<p>Hex-Head Wrench Llave de cabeza hexagonal Sechskantschlüssel Chave de cabeça sextavada Chiave esagonale Zeskantsleutel Clé à tête hexagonale</p>		<p>Security Wrench Llave de seguridad Sicherheitsschlüssel Chave de segurança Chiave di sicurezza Veiligheidsleutel Clé de sécurité</p>

TOOLS REQUIRED FOR INSTALLATION



PARTS



Assembly And Installation

Installation to Pole

1. Remove pole clamp from 54" array extrusion by unscrewing clamp handle and 1/4-20 x 7/8" button head cap screw. Set removed parts aside for reuse. (See Figure 1)

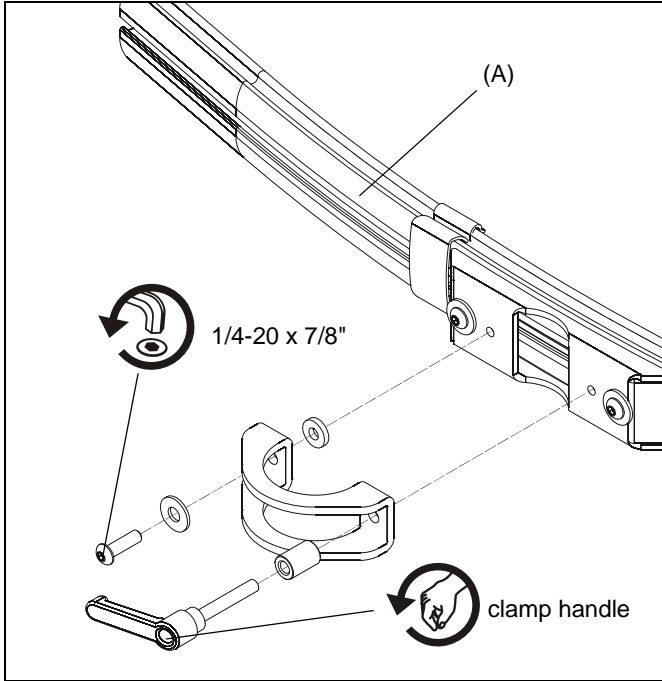


Figure 1

2. Position 54" array extrusion on pole in desired mounting location.
3. Place pole clamp around pole on opposite side of the array extrusion.
4. Reattach pole clamp to array extrusion by inserting clamp handle through M15 x 6.5 x 3 spacer and pole clamp hole and into right array hole. Insert removed 1/4-20 x 7/8" button head cap screw through 1/4" washer, pole clamp hole, .500 x .252 x .750 spacer and into left array hole. (See Figure 2)

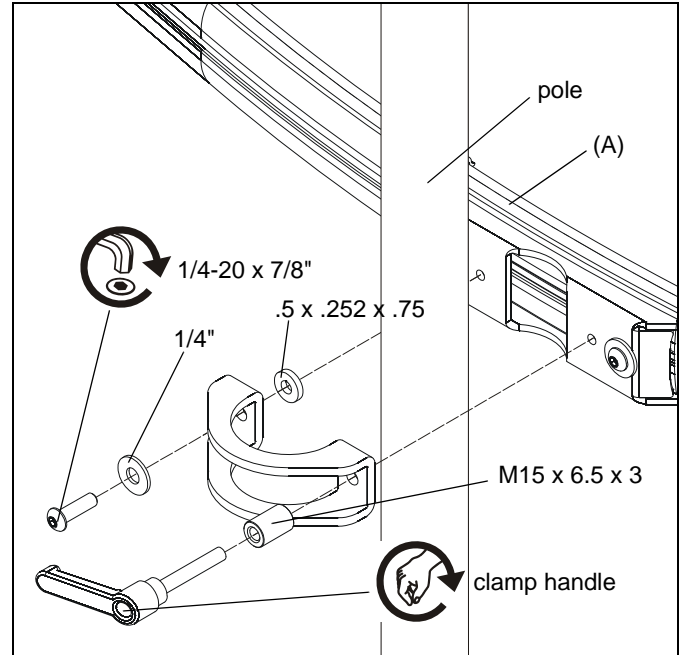


Figure 2

Display Installation

The mounting holes on the rear of your display will either be flush with the rear surface, or recessed into the rear surface. Refer to the applicable installation procedure.

Flush Mounting Holes

1. Carefully place display face down on protective surface.
2. Place the Centris head (B) onto the back of the display, aligning the mounting holes on the Centris bracket with the mounting holes on the display.



CAUTION: Using screws of improper size may damage your display! Proper screws will easily and completely thread into display mounting holes.

3. Using Phillips screwdriver, install four M4 x 10 screws (D) through the mounting holes in Centris bracket and into the display. (See Figure 3)
4. Tighten all four screws (D). Do not overtighten!

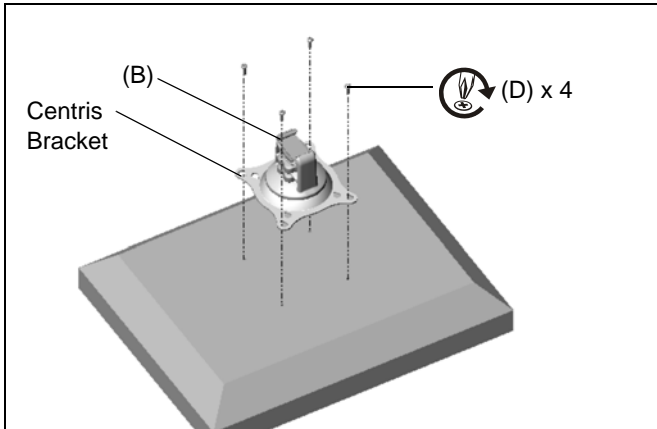


Figure 3

5. Repeat Steps #1-4 for remaining displays.
6. Proceed to "ARRAY ASSEMBLY."

Recessed Mounting Holes

1. Carefully place display face down on protective surface.
2. Place four M10 x 5.3 x 10 spacers (G) over each of the mount holes on the back of the display.
3. Place the Centris head (B) onto the spacers, aligning the mounting holes on the Centris bracket with the holes in the spacers. (See Figure 4)

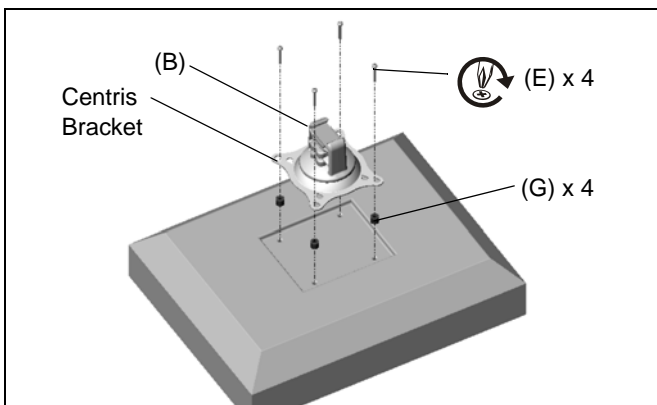


Figure 4



CAUTION: Using screws of improper size may damage your display! Proper screws will easily and completely thread into display mounting holes.

4. Using Phillips screwdriver, install four M4 x 20 screws (E) through the mounting holes in Centris bracket, the spacers (G), into the display. (See Figure 4)
5. Tighten all four screws (E). Do not overtighten!
6. Repeat Steps #1-5 for remaining displays.

Array Assembly



CAUTION: Make sure 54" array extrusion is fully secured to pole prior to mounting displays.



WARNING: Exceeding the weight capacity can result in serious personal injury or damage to equipment! It is the installer's responsibility to make sure the combined weight of all components attached to the MSP-WINST1 array mount does not exceed 90 lbs (22.68 kg). No individual display can exceed 30 lbs (13.6 kg).

1. Slide three displays with Centris brackets onto 54" array extrusion (A). (See Figure 5)

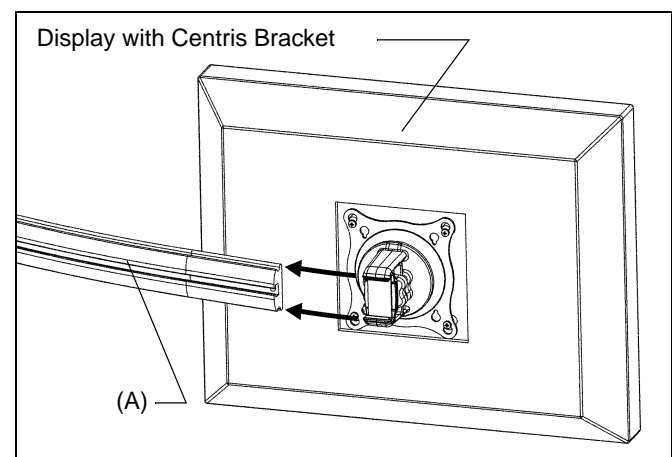


Figure 5

2. Slide two 1/4-20" end locks (F) into mounting rail on opposite ends of the array. (See Figure 6)
3. Line up end locks (F) with holes located at each end of the array. (See Figure 6)
4. Install two 1/4-20 x 1/2" button head cap screws into array holes and end locks (F) at each end of the array. (See Figure 6)

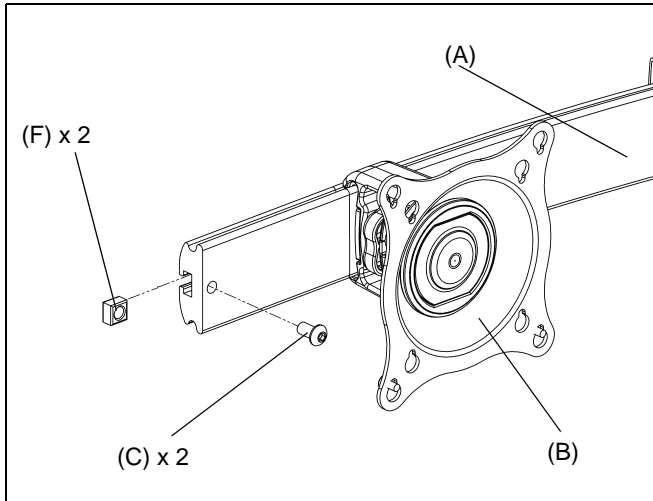


Figure 6

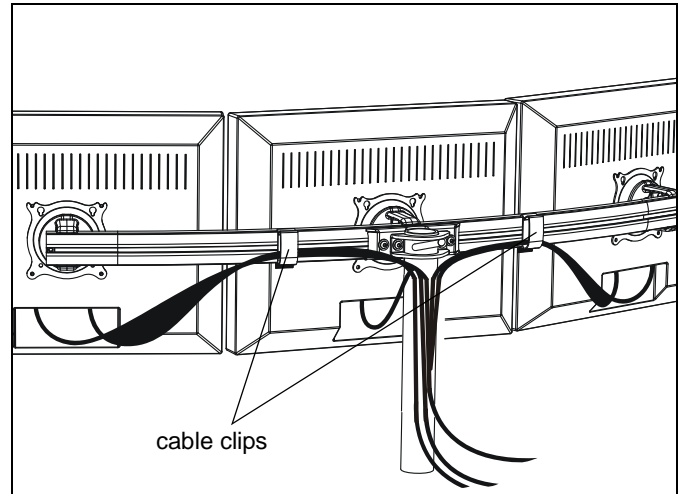


Figure 8

Adjustments

Lateral Position on Array

1. Using your fingers, slightly loosen adjustment knob "A" . (See Figure 7)
2. Slide display to desired position.
3. Using your fingers, tighten adjustment knob "A".

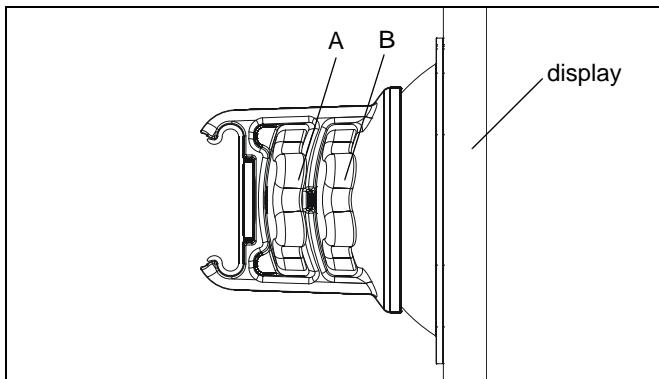


Figure 7

Pitch/Yaw/Roll

1. Using your fingers, slightly loosen adjustment knob "B". (See Figure 7)
2. Adjust display as desired.
3. Using your fingers, tighten adjustment knob "B".

CABLE MANAGEMENT

1. Connect cables to display.
2. Route cables through cable clips on array rail.
3. Route cables down pole and away from mount. (See Figure 8)

NOTE: Cable ties (not included) may be used to secure cables to pole.



Our Mounts. **Your Vision.**

Chief Manufacturing, a products division
of Milestone AV Technologies

8832-002004 Rev00
©2009 Milestone AV Technologies, a
Duchossois Group Company
www.chiefmfg.com
02/09

USA/International A 8401 Eagle Creek Parkway, Savage, MN 55378
P 800.582.6480 / 952.894.6280
F 877.894.6918 / 952.894.6918

Europe A Fellenoord 130 5611 ZB EINDHOVEN, The Netherlands
P +31 (0)40 2668620
F +31 (0)40 2668615

Asia Pacific A Room 24F, Block D, Lily YinDu International Building
LuoGang, BuJi Town, Shenzhen, CHINA.
深圳市布吉罗岗村百合银都国际大厦D栋24F
P +86-755-8996 9226
F +86-755-8996 9217

