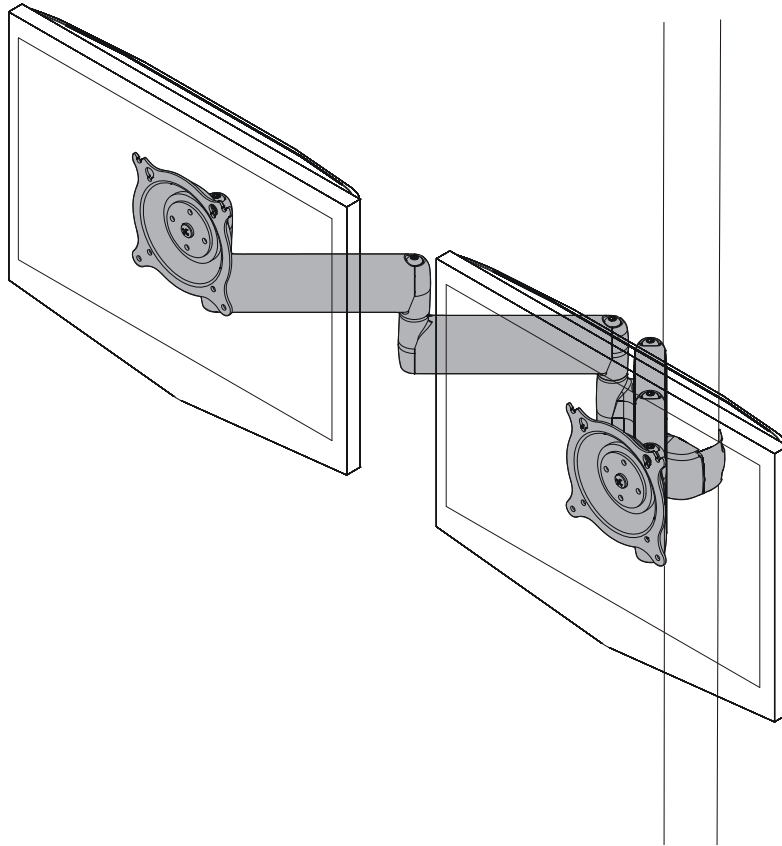

INSTALLATION INSTRUCTIONS



MULTI-ARM POLE MOUNT

DISCLAIMER

Milestone AV Technologies and its affiliated corporations and subsidiaries (collectively "Milestone"), intend to make this manual accurate and complete. However, Milestone makes no claim that the information contained herein covers all details, conditions or variations, nor does it provide for every possible contingency in connection with the installation or use of this product. The information contained in this document is subject to change without notice or obligation of any kind. Milestone makes no representation of warranty, expressed or implied, regarding the information contained herein. Milestone assumes no responsibility for accuracy, completeness or sufficiency of the information contained in this document.

Chief® and Centris™ are registered trademarks of Milestone AV Technologies. All rights reserved.



IMPORTANT WARNINGS AND CAUTIONS!



WARNING: A WARNING alerts you to the possibility of serious injury or death if you do not follow the instructions.



CAUTION: A CAUTION alerts you to the possibility of damage or destruction of equipment if you do not follow the corresponding instructions.



WARNING: Failure to read, thoroughly understand, and follow all instructions can result in serious personal injury, damage to equipment, or voiding of factory warranty! It is the installer's responsibility to make sure all components are properly assembled and installed using the instructions provided.

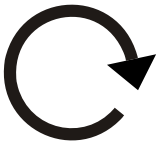

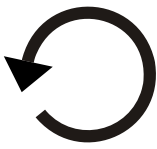











WARNING: Failure to provide adequate structural strength for this component can result in serious personal injury or damage to equipment! It is the installer's responsibility to make sure the structure to which this component is attached can support five times the combined weight of all equipment. Reinforce the structure as required before installing the component.

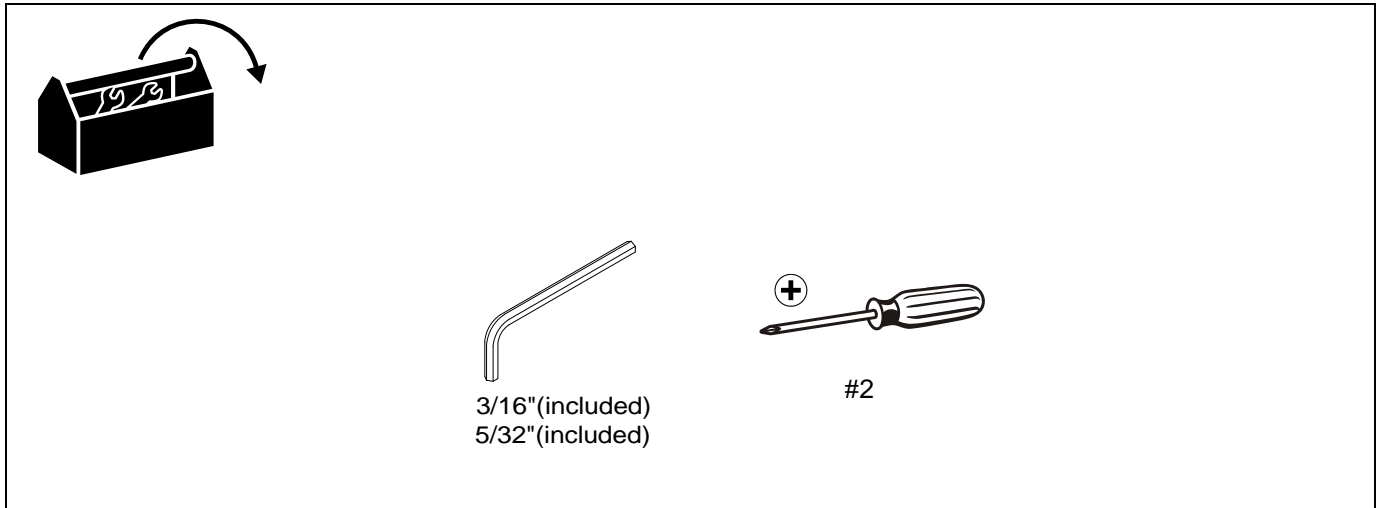


WARNING: Exceeding the weight capacity can result in serious personal injury or damage to equipment! It is the installer's responsibility to make sure the combined weight of all components attached to the MSP-WINST2 does not exceed 40 lbs (18.14 kg).

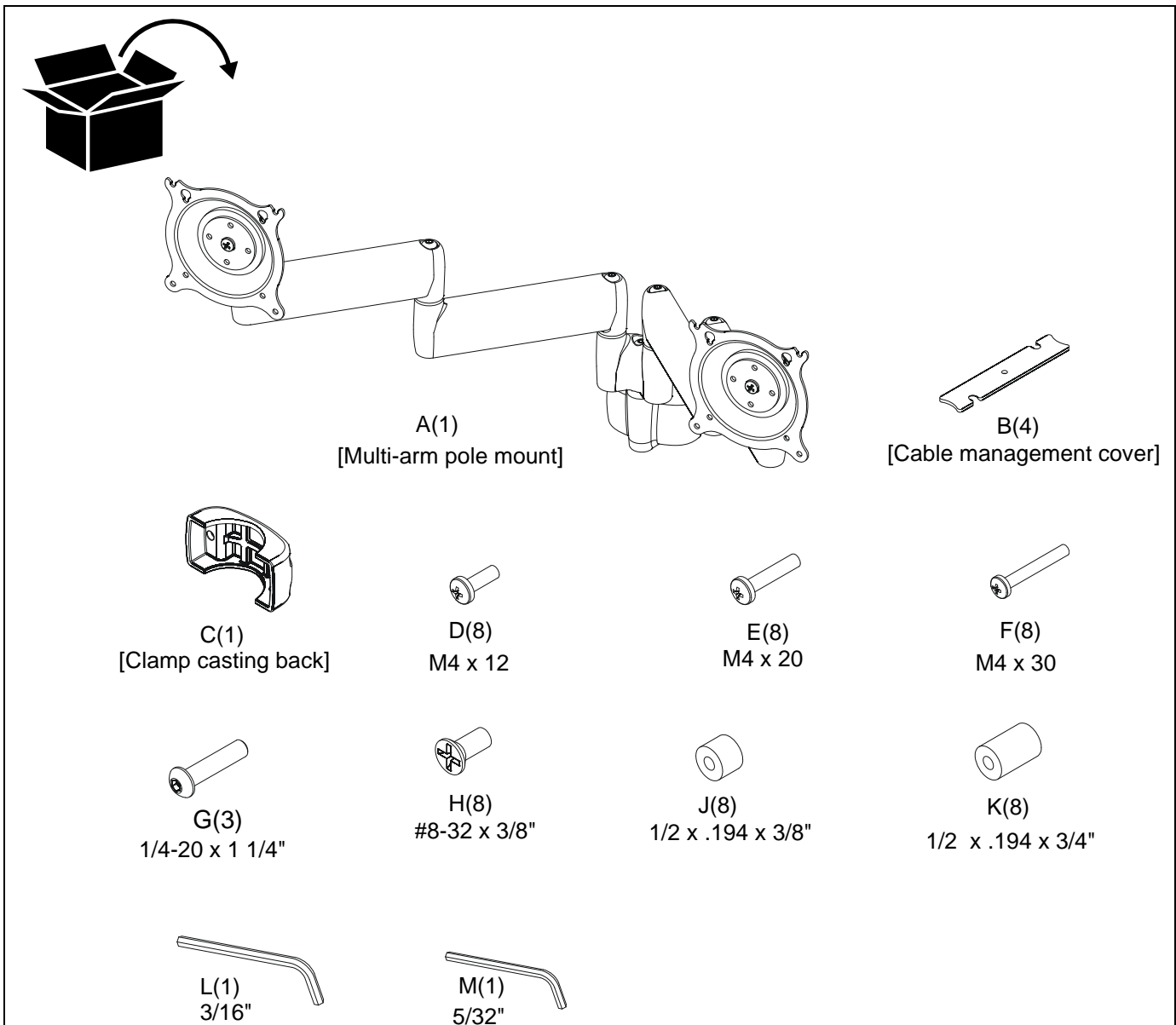
LEGEND

	<p>Tighten Fastener Apretar elemento de fijación Befestigungsteil festziehen Apertar fixador Serrare il fissaggio Bevestiging vastdraaien Serrez les fixations</p>		<p>Pencil Mark Marcar con lápiz Stiftmarkierung Marcar com lápis Segno a matita Potloodmerkten Marquage au crayon</p>
	<p>Loosen Fastener Aflojar elemento de fijación Befestigungsteil lösen Desapertar fixador Allentare il fissaggio Bevestiging losdraaien Desserrez les fixations</p>		<p>Drill Hole Perforar Bohrloch Fazer furo Praticare un foro Gat boren Percez un trou</p>
	<p>Phillips Screwdriver Destornillador Phillips Kreuzschlitzschraubendreher Chave de fendas Phillips Cacciavite a stella Kruiskopschroevendraaier Tournevis à pointe cruciforme</p>		<p>Socket Wrench Llave de cubo Llave de cubo Chave de caixa Chiave a brugola Dopsleutel Clé à douilles</p>
	<p>Open-Ended Wrench Llave de boca Gabelschlüssel Chave de bocas Chiave a punte aperte Steeksleutel Clé à fourche</p>		<p>Remove Quitar Entfernen Remover Rimuovere Verwijderen Retirez</p>
	<p>By Hand A mano Von Hand Com a mão A mano Met de hand À la main</p>		<p>Optional Opcional Optional Opcional Opzionale Optie En option</p>
	<p>Hex-Head Wrench Llave de cabeza hexagonal Sechskantschlüssel Chave de cabeça sextavada Chiave esagonale Zeskantsleutel Clé à tête hexagonale</p>		<p>Security Wrench Llave de seguridad Sicherheitsschlüssel Chave de segurança Chiave di sicurezza Veiligheidsleutel Clé de sécurité</p>

TOOLS REQUIRED FOR INSTALLATION



PARTS



Assembly And Installation

Installation to Pole

1. Determine approximate location for mount keeping in mind display size, extension, height adjustment (if applicable), and pitch/roll requirements.
2. Place multi-arm pole mount (A) against pole with clamp (C) on opposite side of pole. (See Figure 1)
3. Using 5/32" hex key, loosely connect multi-arm pole mount to clamp using three 1/4-20 x 1 1/4" button head cap screws (G). (See Figure 1)

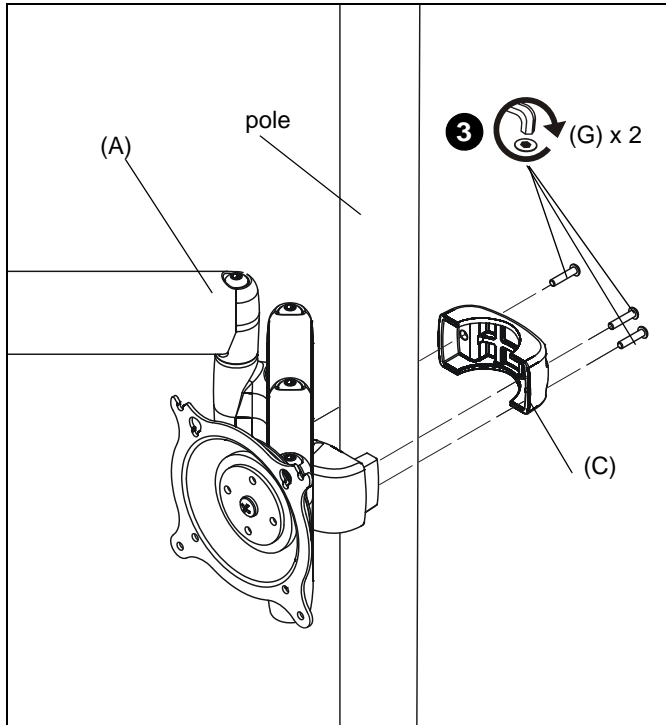


Figure 1

NOTE: Equally tighten screws (G) against pole and the pole clamp (C). (See Figure 2)

4. Position mount at desired height and orientation. Tighten screws (G) securely. (See Figure 2)

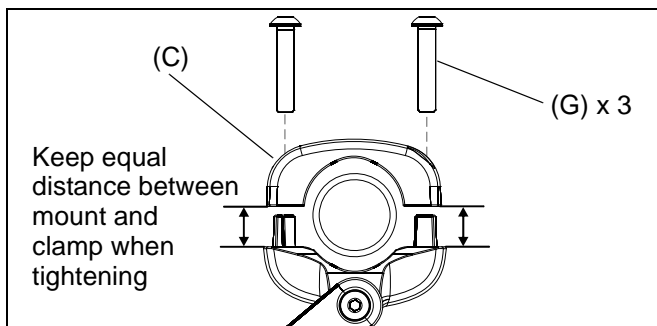


Figure 2

Display Installation

The mounting holes on the back of your display will either be *flush with* the back surface, or *recessed into* the back surface. Refer to the applicable installation procedure.



WARNING: Exceeding the weight capacity can result in serious personal injury or damage to equipment! It is the installer's responsibility to make sure the combined weight of all components attached to the MSP-WINST2 does not exceed 40 lbs (18.14 kg).

Flush Mounting Holes



CAUTION: Using screws of improper size may damage your display! Proper screws will easily and completely thread into display mounting holes.



CAUTION: Inadequate thread engagement in display may cause display to fall! Back out screws **ONLY** as necessary to allow installation of Centris bracket!

1. Ensure Centris bracket is able to swivel and tilt easily, yet still be tight enough to hold display in desired position. Adjust as required before proceeding. See "ADJUSTMENT" for detail.
2. Using Phillips screwdriver, carefully install two M4 x 12 screws (D) into the *upper* mounting holes on the display. Thread screws completely into display, then back out 3 complete turns. (See Figure 3)
3. Pick up and align display so that screws (D) (installed on the back of the display in the previous step) fit into the top two mounting holes on the Centris bracket; rotate the bracket as required. Lower the display firmly into place. (See Figure 3)

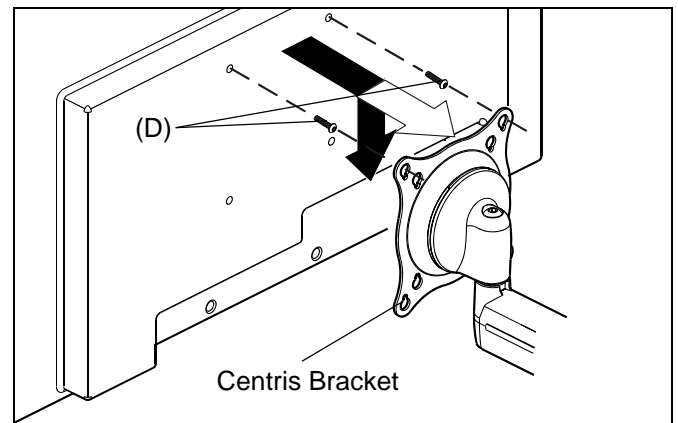


Figure 3

4. Using Phillips screwdriver, install two remaining screws (D) through the *lower* mounting holes in Centris bracket into the display.
5. Tighten all four screws (D). Do not overtighten!
6. Repeat Steps 1-5 for second display.
7. Proceed to "CABLE MANAGEMENT."

Recessed Mounting Holes

1. Ensure Centris bracket is able to swivel and tilt easily, yet still be tight enough to hold display in desired position. Adjust as required before proceeding. See "ADJUSTMENT" for detail.
2. Determine depth of recessed mounting holes relative to back surface of display (against which Centris head will contact).
3. Select proper length spacer and screw from table below:

NOTE: All spacers used should be the same length. If the recess depths result in multiple spacer lengths, then select the longer spacer.

IF recess DEPTH is:	THEN use spacer:	AND screw:
3/8" or less	J (3/8" long)	E (M4 x 20)
More than 3/8" up to and including 3/4"	K (3/4" long)	F (M4 x 30)

4. Using Phillips screwdriver, carefully install two screws (E or F) through corresponding spacers (J or K) and into the *upper* mounting holes on the display. Thread screws completely into display, then back out 3 complete turns. (See Figure 4)
5. Pick up and align display so that screws (E or F) (installed on the back of the display in the previous step) fit into the top two mounting holes on the Centris bracket; rotate the bracket as required. Lower the display firmly into place. (See Figure 4)

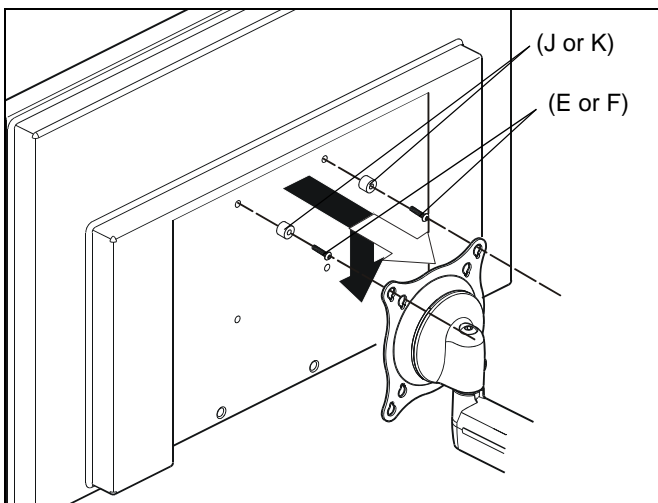


Figure 4



CAUTION: Using screws of improper size may damage your display! Proper screws will easily and completely thread into display mounting holes.

6. Using Phillips screwdriver, install two remaining screws (E or F) through corresponding spacers (J or K) and into the *lower* mounting holes in Centris bracket into the display.
7. Tighten all four screws (E or F). Do not overtighten!
8. Repeat Steps 1-7 for second display.

Cable Management

1. Attach all cables to display.



CAUTION: Ensure that adequate cable slack exists for movement of display, and that cables will not be pinched by installation of cable management covers (B) or screws (H).

2. Carefully insert cables in cavity located in upper portion of static mount arm. (See Figure 5)
3. Using Phillips screwdriver, install cable management cover (B) with two #8-32 x 3/8" screws (H).

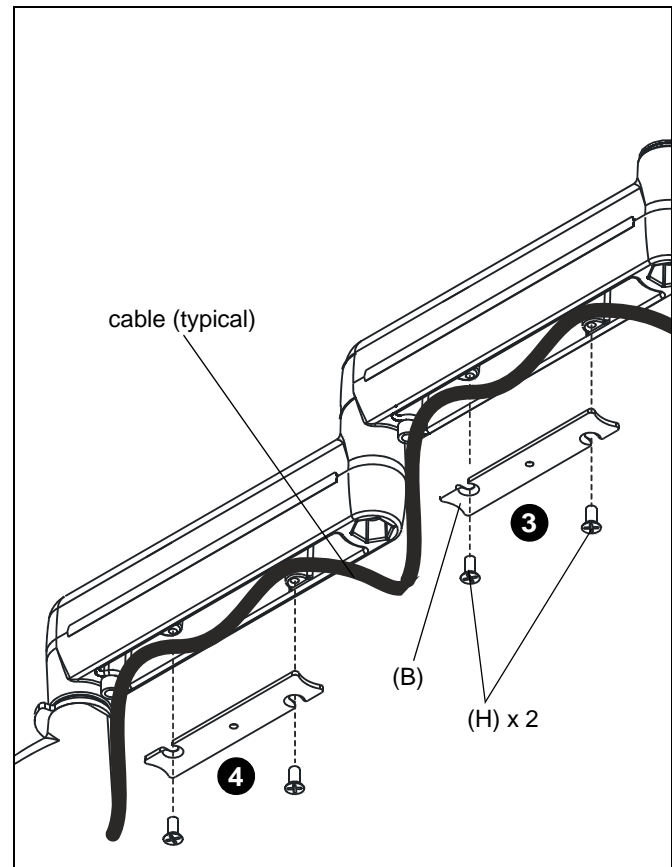


Figure 5

4. Repeat Steps 2-3 for lower portion of arm.
5. Repeat Steps 1-4 for the other display and arm.

ADJUSTMENT

ARM

PIVOT / SWING

1. Using 3/16" hex key, slightly loosen or tighten the adjustment screw(s) as necessary. (See Figure 6)

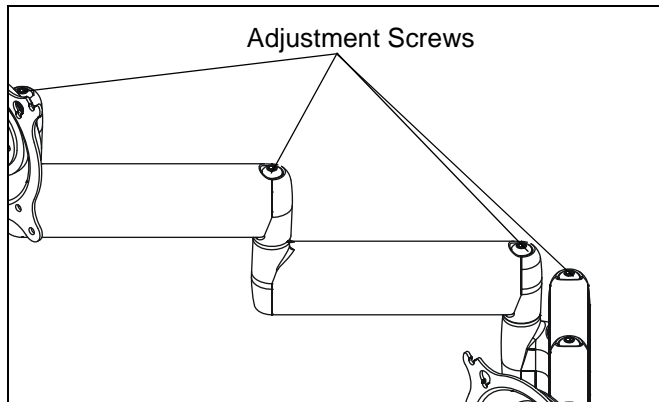


Figure 6

CENTRIS HEAD

1. If previously attached, disconnect cables from display, then remove display.
2. Using Phillips screwdriver, slightly loosen or tighten the adjustment screw as necessary. (See Figure 7)

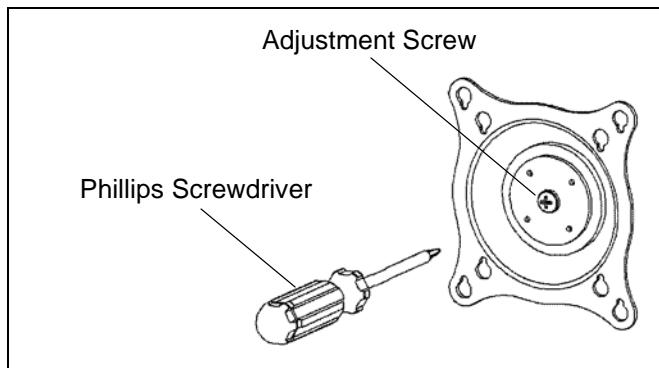


Figure 7

3. Install mount and then display cables. See "DISPLAY INSTALLATION."



Our Mounts. **Your Vision.**

Chief Manufacturing, a products division
of Milestone AV Technologies

8832-002005 Rev00
©2009 Milestone AV Technologies, a
Duchossois Group Company
www.chiefmfg.com
02/09

USA/International A 8401 Eagle Creek Parkway, Savage, MN 55378
P 800.582.6480 / 952.894.6280
F 877.894.6918 / 952.894.6918

Europe A Fellenoord 130 5611 ZB EINDHOVEN, The Netherlands
P +31 (0)40 2668620
F +31 (0)40 2668615

Asia Pacific A Room 24F, Block D, Lily YinDu International Building
LuoGang, BuJi Town, Shenzhen, CHINA.
深圳市布吉罗岗村百合银都国际大厦D栋24F
P +86-755-8996 9226
F +86-755-8996 9217

