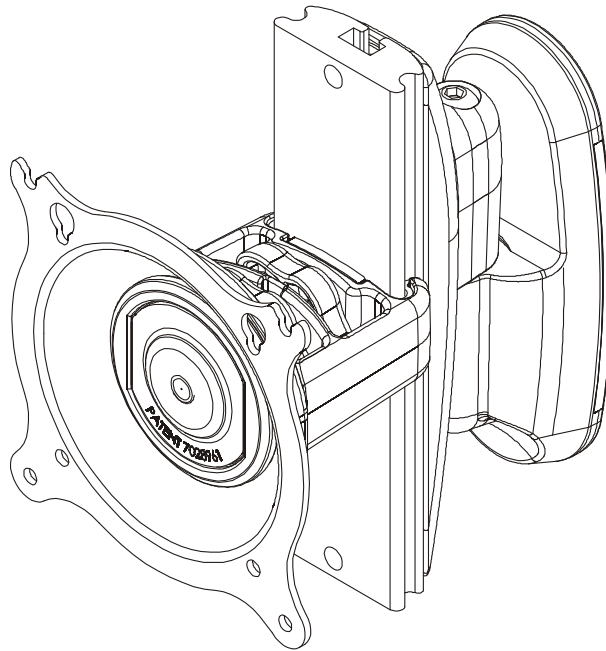

INSTALLATION INSTRUCTIONS



Slat Wall Mount

DISCLAIMER

Milestone AV Technologies and its affiliated corporations and subsidiaries (collectively "Milestone"), intend to make this manual accurate and complete. However, Milestone makes no claim that the information contained herein covers all details, conditions or variations, nor does it provide for every possible contingency in connection with the installation or use of this product. The information contained in this document is subject to change without notice or obligation of any kind. Milestone makes no representation of warranty, expressed or implied, regarding the information contained herein. Milestone assumes no responsibility for accuracy, completeness or sufficiency of the information contained in this document.

Chief® is a registered trademark of Milestone AV Technologies. All rights reserved.

! IMPORTANT WARNINGS AND CAUTIONS!

! WARNING: A WARNING alerts you to the possibility of serious injury or death if you do not follow the instructions.

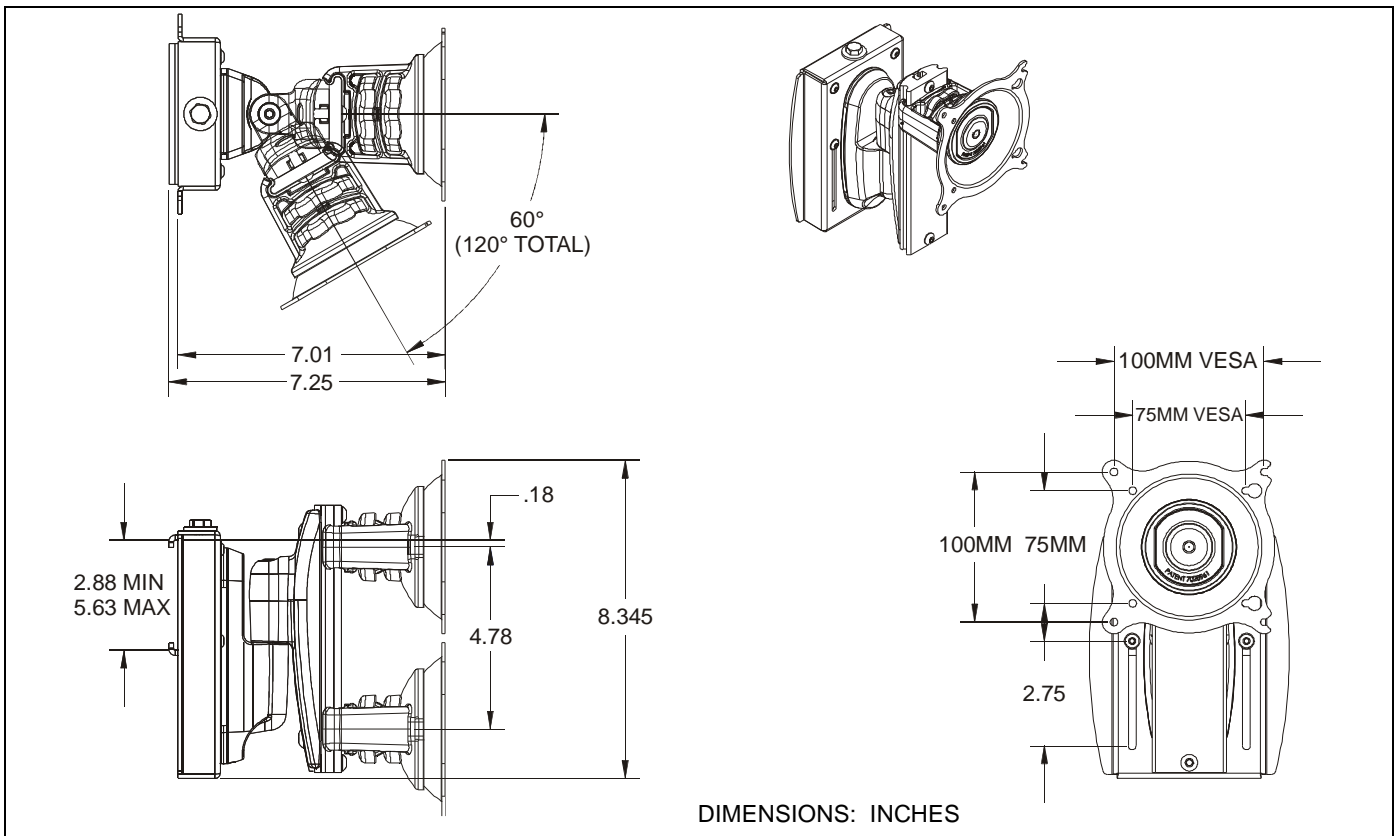
! CAUTION: A CAUTION alerts you to the possibility of damage or destruction of equipment if you do not follow the corresponding instructions.

! WARNING: Failure to read, thoroughly understand, and follow all instructions can result in serious personal injury, damage to equipment, or voiding of factory warranty! It is the installer's responsibility to make sure all components are properly assembled and installed using the instructions provided.

! WARNING: Failure to provide adequate structural strength for this component can result in serious personal injury or damage to equipment! It is the installer's responsibility to make sure the structure to which this component is attached can support five times the combined weight of all equipment. Reinforce the structure as required before installing the component. The wall to which the mount is being attached may have a maximum drywall thickness of 5/8" (1.6cm).

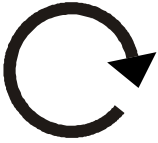

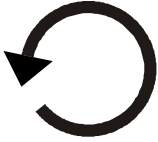



! WARNING: Exceeding the weight capacity can result in serious personal injury or damage to equipment! It is the installer's responsibility to make sure the combined weight of all components attached to the MSP-WL3A does not exceed 40 lbs (18.1 kg). Use with products heavier than the maximum weight indicated may result in collapse of the mount and its accessories causing possible injury.

DIMENSIONS

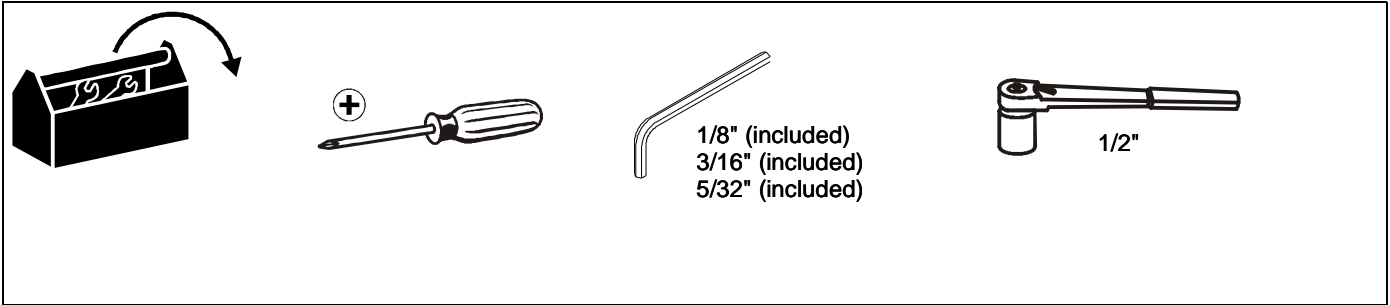


DIMENSIONS: INCHES

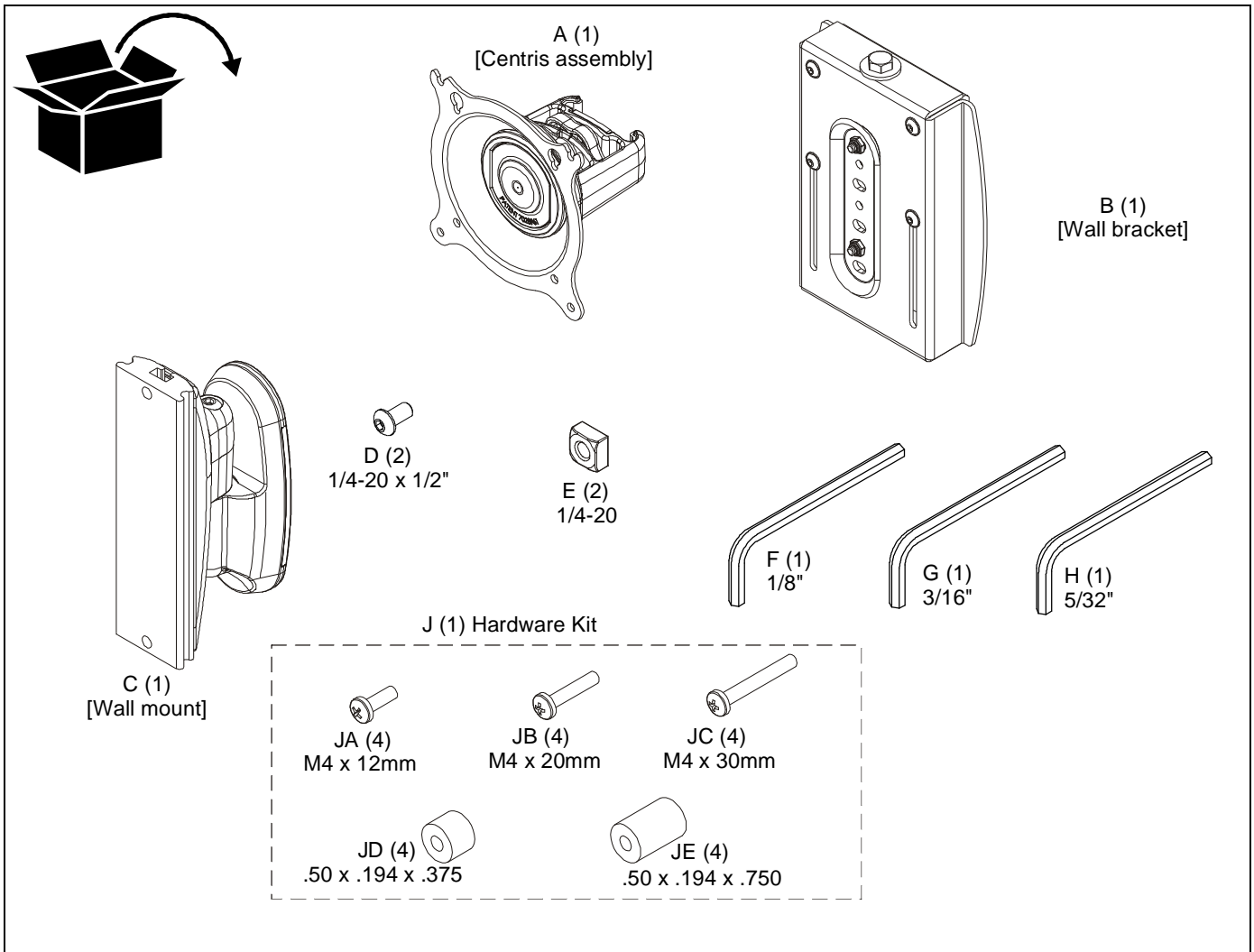
LEGEND

	<p>Tighten Fastener</p> <p>Apretar elemento de fijación</p> <p>Befestigungsteil festziehen</p> <p>Apertar fixador</p> <p>Serrare il fissaggio</p> <p>Bevestiging vastdraaien</p> <p>Serrez les fixations</p>		<p>Adjust</p> <p>Ajustar</p> <p>Einstellen</p> <p>Ajustar</p> <p>Regolare</p> <p>Afstellen</p> <p>Ajuster</p>
	<p>Loosen Fastener</p> <p>Aflojar elemento de fijación</p> <p>Befestigungsteil lösen</p> <p>Desapertar fixador</p> <p>Allentare il fissaggio</p> <p>Bevestiging losdraaien</p> <p>Desserrez les fixations</p>		<p>Hex-Head Wrench</p> <p>Llave de cabeza hexagonal</p> <p>Sechskantschlüssel</p> <p>Chave de cabeça sextavada</p> <p>Chiave esagonale</p> <p>Zeskantsleutel</p> <p>Clé à tête hexagonale</p>
	<p>Phillips Screwdriver</p> <p>Destornillador Phillips</p> <p>Kreuzschlitzschraubendreher</p> <p>Chave de fendas Phillips</p> <p>Cacciavite a stella</p> <p>Kruiskopschroevendraaier</p> <p>Tournevis à pointe cruciforme</p>		<p>By Hand</p> <p>A mano</p> <p>Von Hand</p> <p>Com a mão</p> <p>A mano</p> <p>Met de hand</p> <p>À la main</p>

TOOLS REQUIRED FOR INSTALLATION



PARTS



INSTALLATION



WARNING: FAILURE TO PROVIDE ADEQUATE STRUCTURAL STRENGTH FOR THIS COMPONENT CAN RESULT IN SERIOUS PERSONAL INJURY OR DAMAGE TO EQUIPMENT! It is the installer's responsibility to make sure the structure to which this component is attached can support five times the combined weight of all equipment. Reinforce the structure as required before installing the component.

Wall Bracket Installation

1. Verify mounting brackets on wall bracket (B) can move freely. If necessary, loosen four button head cap screws. (See Figure 1)

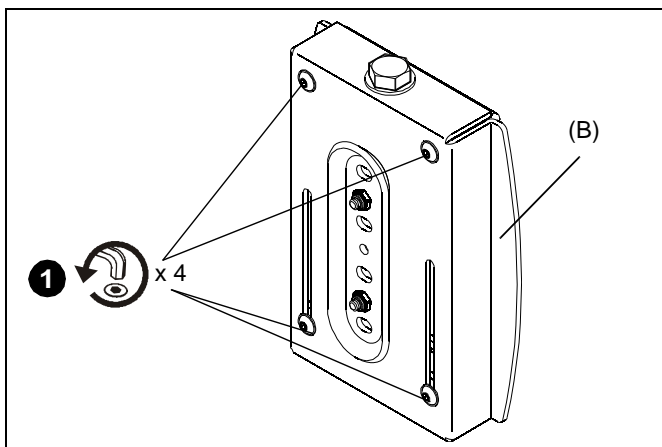


Figure 1

2. Locate desired installation location and slide upper mounting plate into slat wall making sure bracket is seated in channel bottom. (See Figure 2)
3. Let lower mounting plate rest against wall.
4. Using 1/2" socket, tighten tension hex head bolt until lower mounting plate slides into channel in wall and continue tightening until resistance is felt. (See Figure 2)

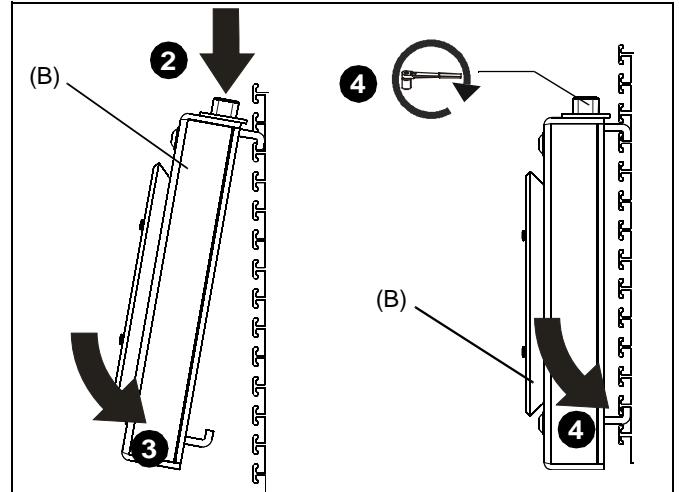


Figure 2

5. Tighten two upper and two lower button head cap screws to secure wall bracket (B) to wall. (See Figure 3)

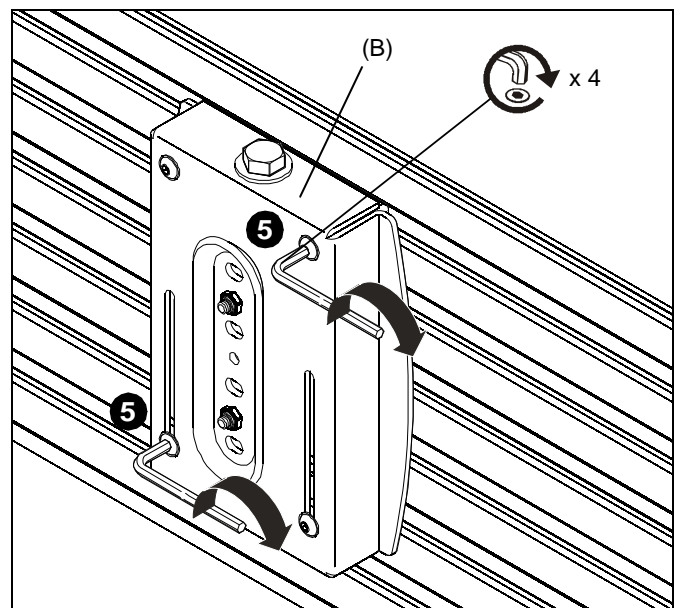


Figure 3

IMPORTANT ! : If the display being installed has a recessed mounting surface, the display must be assembled to the mount prior to mount installation. See **Display Installation** section before proceeding.

6. Insert top of mount (C) over lip on top of wall bracket (B).
(See Figure 4)

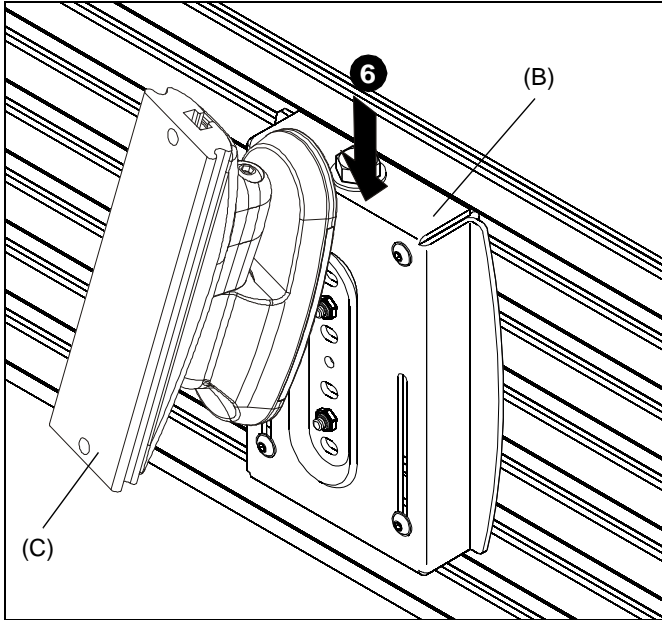


Figure 4

7. Swing mount (C) down flush against wall bracket (B). (See Figure 5)

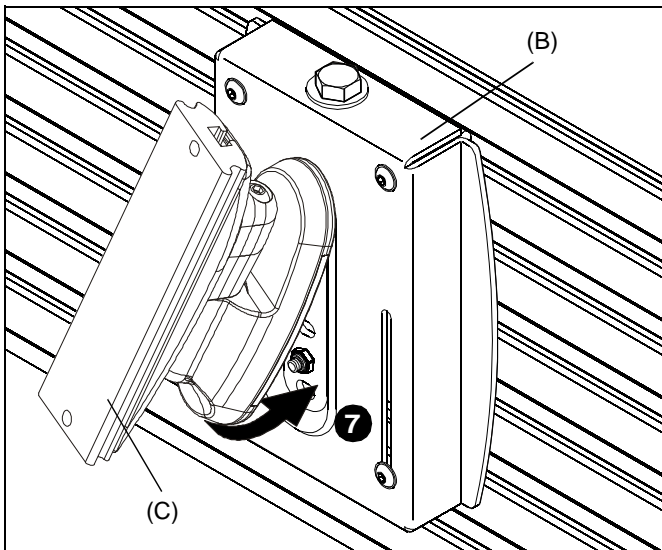


Figure 5

8. Tighten set screw using 5/32" hex key (H). (See Figure 6)



CAUTION: IMPROPER INSTALLATION CAN LEAD TO DISPLAY FALLING CAUSING SERIOUS PERSONAL INJURY OR DAMAGE TO EQUIPMENT! Make sure set screw engages back side of mounting dish on wall bracket (B). (See Figure 6)

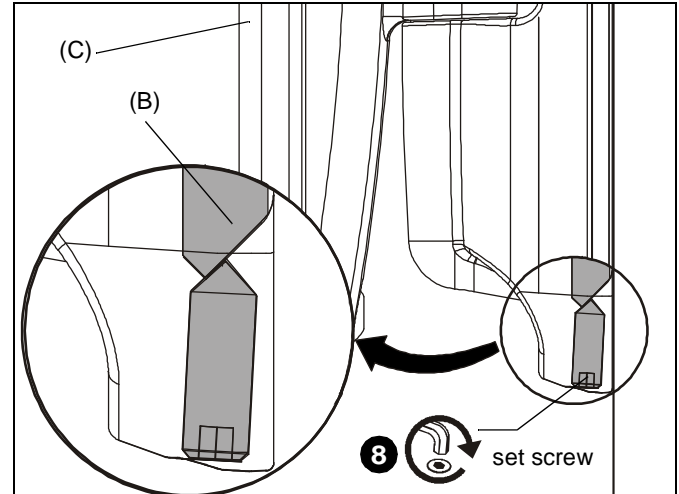


Figure 6

Centris Assembly Installation

IMPORTANT ! : If you will be installing a display with RECESSED mounting holes, proceed to **Display Installation** section *before continuing* with this mount installation procedure.

1. Install 1/4-20" square nut (E) into back groove of wall mount (C) and line up with bottom hole on plate. (See Figure 7)
2. Install 1/4-20 x 1/2" button head cap screw (D) into lower hole on wall mount (C) and through square nut (E)

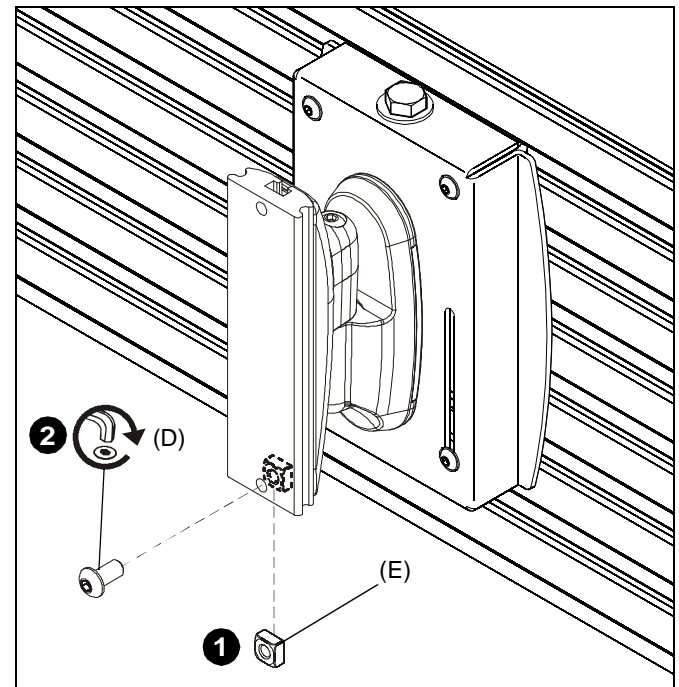


Figure 7

- Slide the Centris assembly (A) over wall mount (C). (See Figure 8)

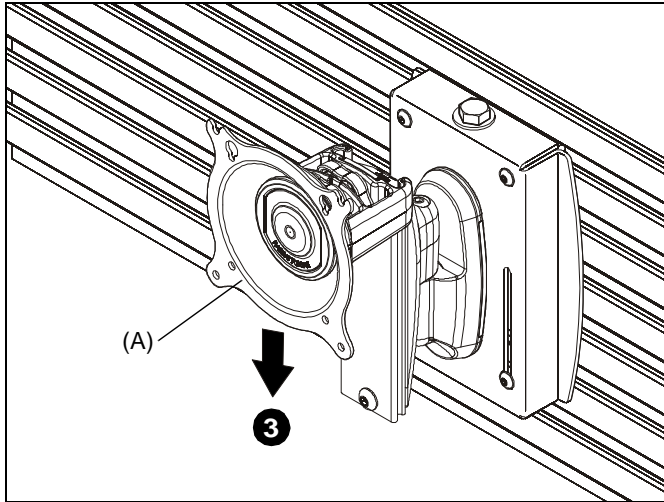


Figure 8

- Adjust Centris assembly (A) to desired height and tighten the height adjustment knob closest to secure Centris assembly to wall mount. (See Figure 9)

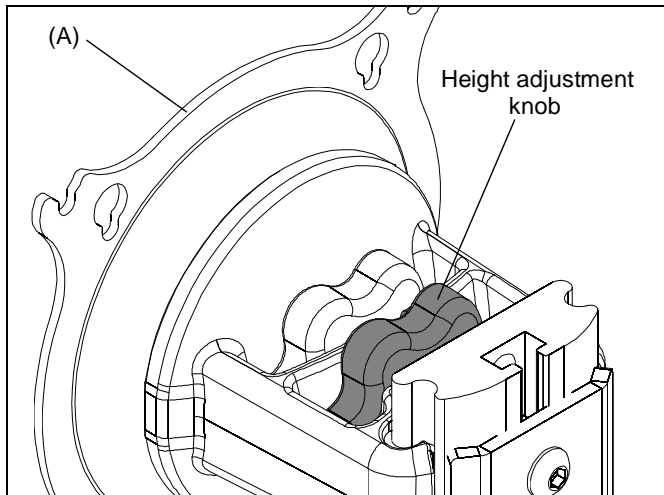


Figure 9

- Install 1/4-20" square nut (E) into the top of the back groove of wall mount (C) and line up with top hole on plate. (See Figure 10)
- Install 1/4-20 x 1/2" button head cap screw (D) into upper hole on wall mount and through square nut (E). (See Figure 10)

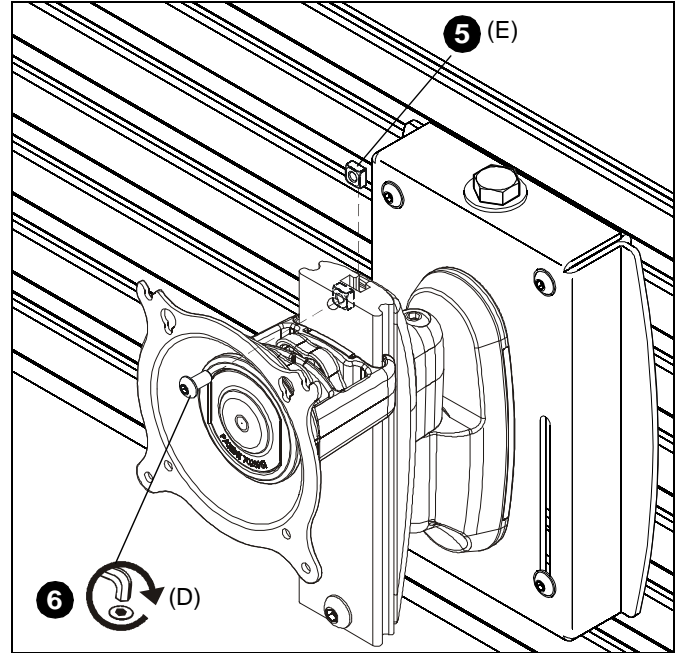


Figure 10

Display Installation

The mounting holes on the back of the display will either be *flush with* the back surface, or *recessed into* the back surface. Refer to the applicable installation procedure.



WARNING: Exceeding the weight capacity can result in serious personal injury or damage to equipment! It is the installer's responsibility to make sure the combined weight of all components attached to this accessory does not exceed 40 lbs (18.1 kg).

FLUSH MOUNTING HOLES



CAUTION: Using screws of improper size may damage your display! Proper screws will easily and completely thread into display mounting holes.



CAUTION: Inadequate thread engagement in display may cause display to fall! Back out screws **ONLY** as necessary to allow installation of Centris assembly!

- Ensure Centris faceplate is able to swivel and tilt easily, yet still be tight enough to hold display in desired position. Adjust as required before proceeding. See **Adjustments** section for detail.

- Using Phillips screwdriver, carefully install two M4 x 12mm Phillips pan machine screws (JA) into the *upper* mounting holes on the display. Thread screws completely into display, then back out 3 complete turns. (See Figure 11)
- Pick up and align display so that screws (JA) (installed on the back of the display in the previous step) fit into the mounting holes on the Centris bracket; rotate the bracket as required. Lower the display firmly into place. (See Figure 11)

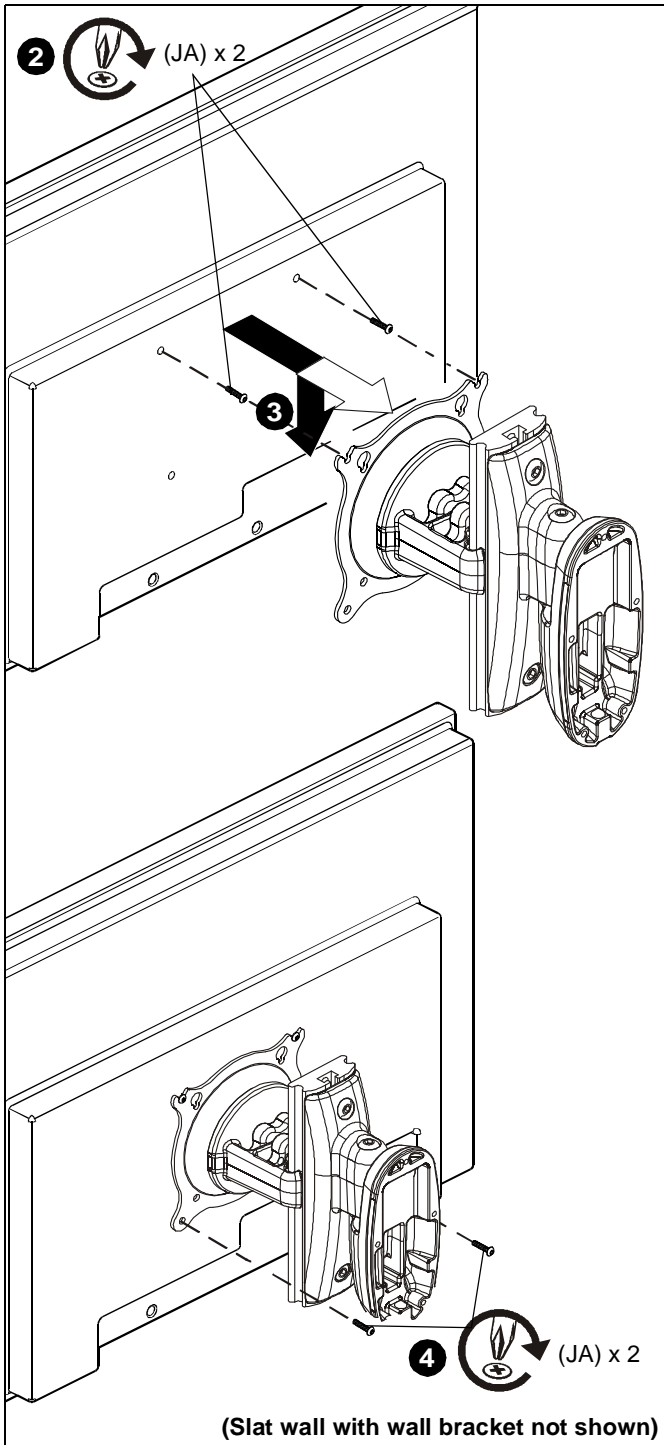


Figure 11

- Using Phillips screwdriver, install two remaining M4 x 12mm Phillips pan machine screws (JA) through the *lower* mounting holes in Centris bracket into the display. (See Figure 11)
- Tighten all four screws (JA). Do not overtighten!

RECESSED MOUNTING HOLES

- Carefully place display face down on protective surface.
- Determine depth of recessed mounting holes relative to back surface of display (against which Centris head will contact).
- Select proper length spacer and screw from table below:

NOTE: All spacers used should be the same length. If the recess depths result in multiple spacer lengths, then select the longer spacer.

IF recess DEPTH is:	THEN use spacer:	AND screw:
3/8" or less	JD (3/8" long)	JB (M4 x 20mm)
More than 3/8" up to and including 3/4"	JE (3/4" long)	JC (M4 x 30mm)

- Place the four selected spacers over each of the mount holes on the back of the display.
- Pick up and orient the Centris assembly (A) so that the mounting holes are aligned with the holes in the spacers; rotate the Centris bracket as required. (See Figure 12)

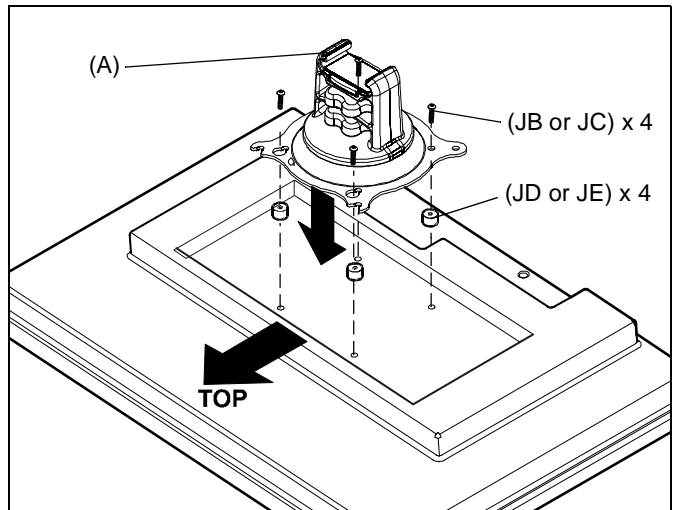


Figure 12



CAUTION: Using screws of improper size may damage your display! Proper screws will easily and completely thread into display mounting holes.

- Using Phillips screwdriver, install four selected screws (JB or JC) through the mounting holes in Centris bracket, spacers (JD or JE), into the display. (See Figure 12) Tighten all four screws. Do not overtighten!

Return to **Centris Assembly Installation** section to complete installation.

Display Adjustment

Vertical position of display

1. Using your fingers, slightly loosen height adjustment knob. (See Figure 13)
2. Slide display to desired position.
3. Using your fingers, tighten height adjustment knob. (See Figure 13)

Pitch / Yaw / Roll Tension

1. Using your fingers, slightly loosen tension knob. (See Figure 13)
2. Adjust display as desired.
3. Using your fingers, tighten tension knob.

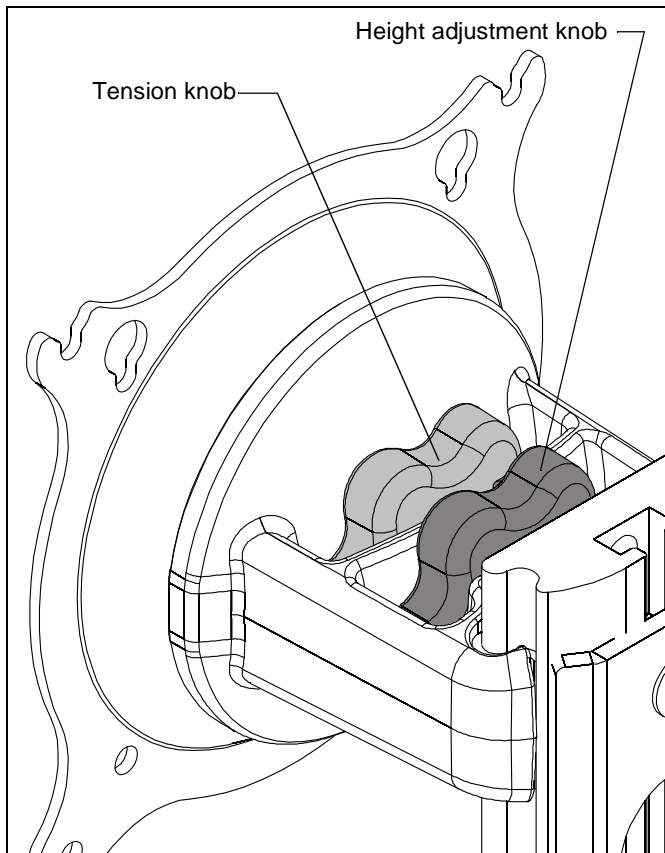


Figure 13

