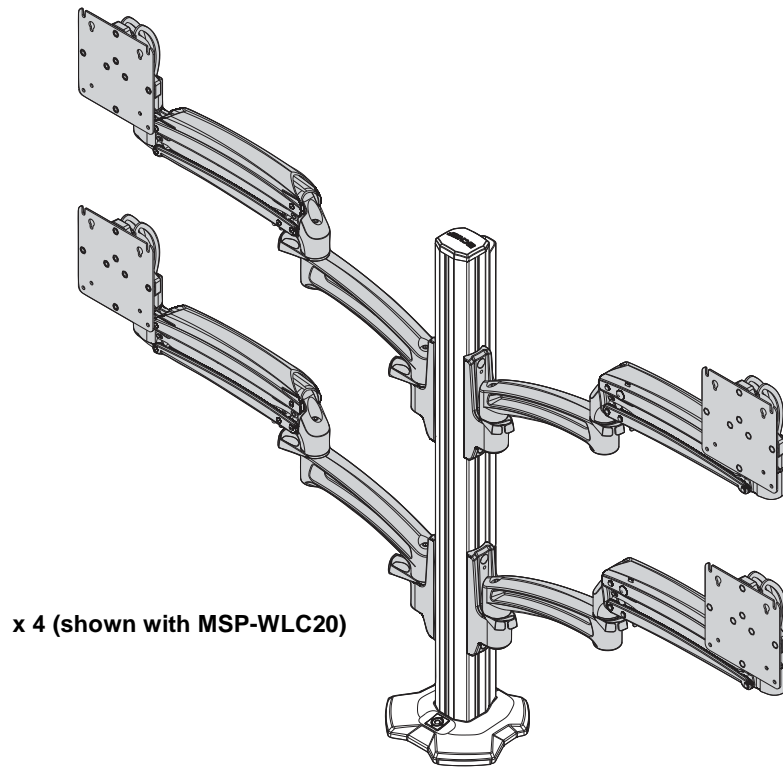

INSTALLATION INSTRUCTIONS



Kontour™ Arm Assembly

DISCLAIMER

Milestone AV Technologies and its affiliated corporations and subsidiaries (collectively "Milestone"), intend to make this manual accurate and complete. However, Milestone makes no claim that the information contained herein covers all details, conditions or variations, nor does it provide for every possible contingency in connection with the installation or use of this product. The information contained in this document is subject to change without notice or obligation of any kind. Milestone makes no representation of warranty, expressed or implied, regarding the information contained herein. Milestone assumes no responsibility for accuracy, completeness or sufficiency of the information contained in this document.

Chief® and Kontour™ are registered trademarks of Milestone AV Technologies. All rights reserved.

DEFINITIONS

MOUNTING SYSTEM: A MOUNTING SYSTEM is the primary Chief product to which an accessory and/or component is attached.

ACCESSORY: AN ACCESSORY is the secondary Chief product which is attached to a primary Chief product, and may have a component attached or setting on it.

COMPONENT: A COMPONENT is an audiovisual item designed to be attached or resting on an accessory or mounting system such as a video camera, CPU, screen, display, projector, etc.



WARNING: A WARNING alerts you to the possibility of serious injury or death if you do not follow the instructions.



CAUTION: A CAUTION alerts you to the possibility of damage or destruction of equipment if you do not follow the corresponding instructions.



IMPORTANT SAFETY INSTRUCTIONS!



WARNING: Failure to read, thoroughly understand, and follow all instructions can result in serious personal injury, damage to equipment, or voiding of factory warranty! It is the installer's responsibility to make sure all accessories are properly assembled and installed using the instructions provided.



WARNING: Exceeding the weight capacity can result in serious personal injury or damage to equipment! It is the installer's responsibility to make sure the combined weight of all components attached to the MSP-WLK1 mount does not exceed 25 lbs (11.34 lbs) per display. Use with products heavier than the maximum weight indicated may result in collapse of the mount and its accessories causing possible injury.



WARNING: Use this accessory only for its intended use as described in these instructions. Do not use attachments not recommended by the manufacturer.



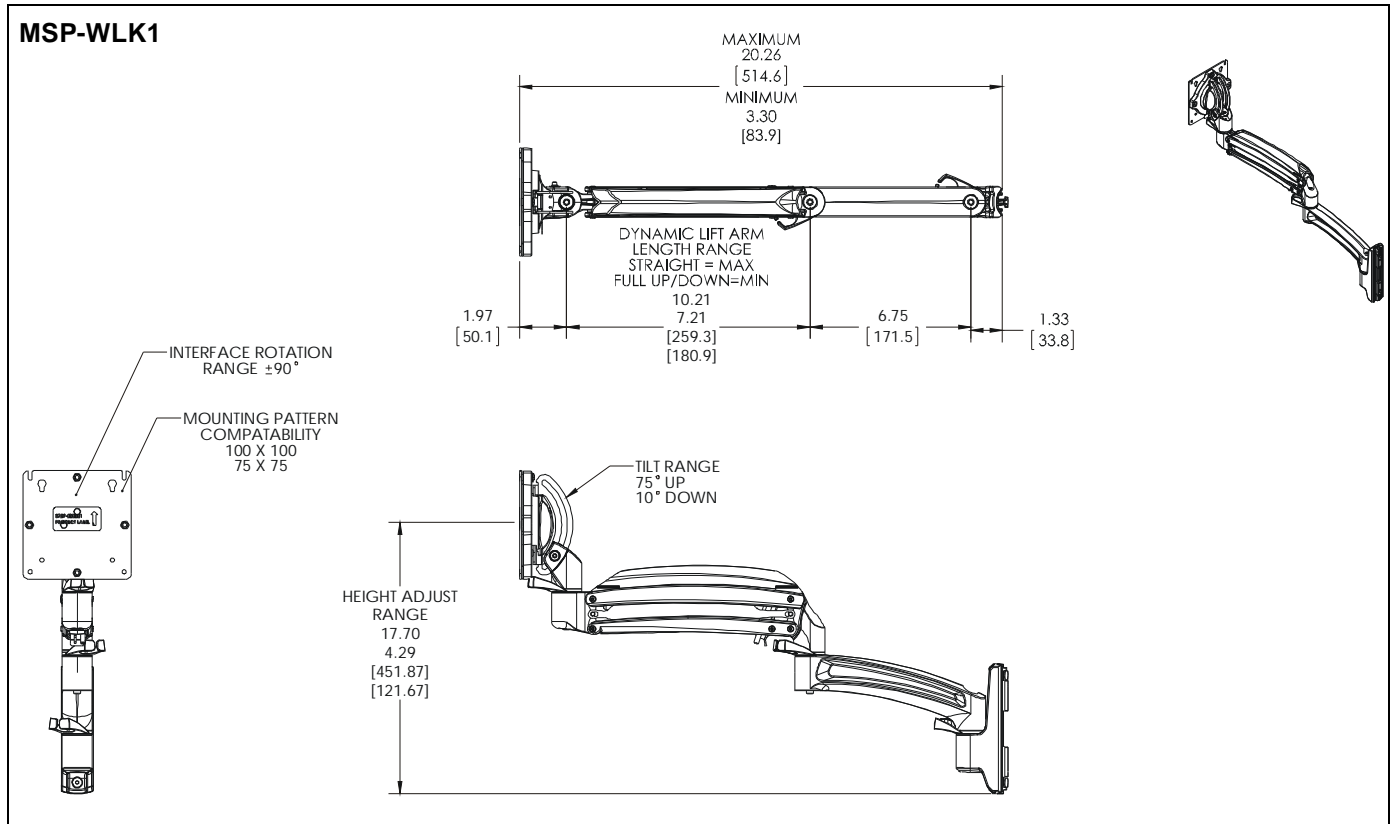
WARNING: Never operate this accessory if it is damaged. Return the accessory to a service center for examination and repair.



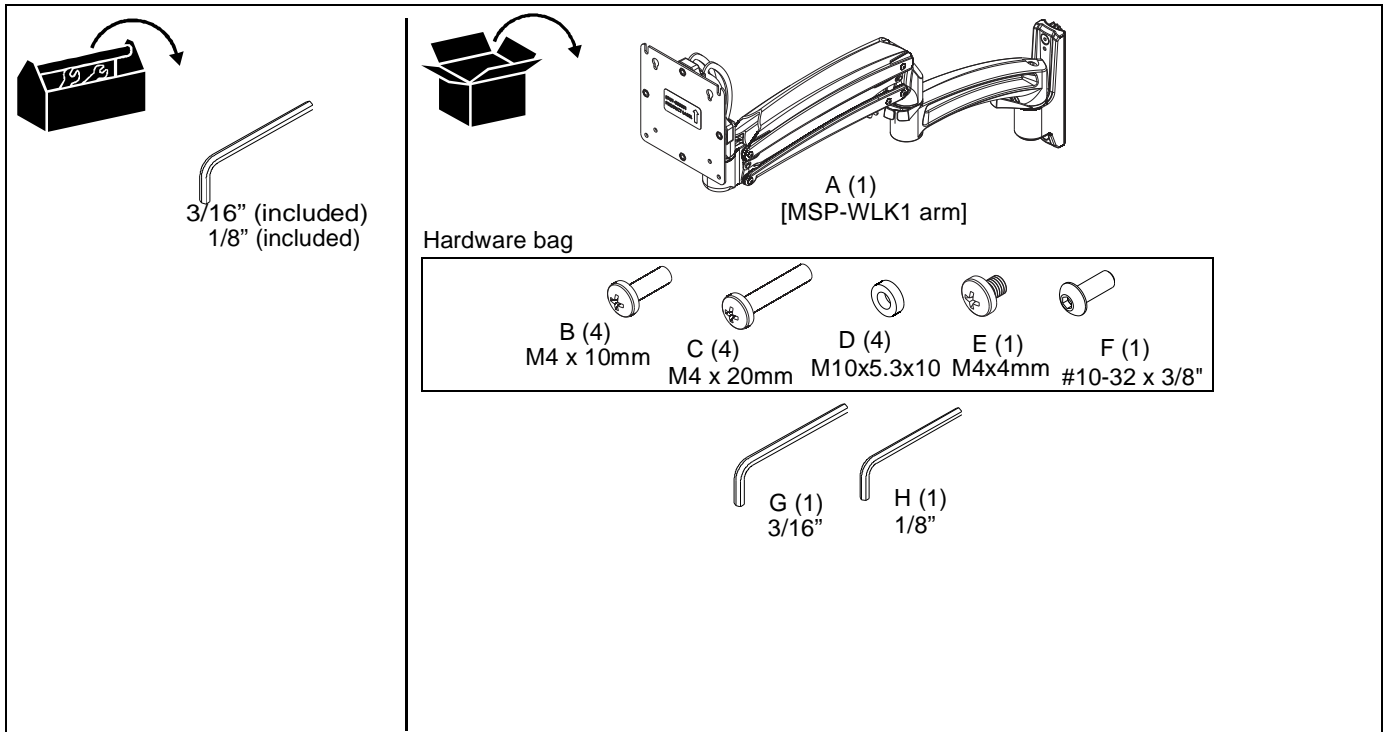
WARNING: Do not use this product outdoors.

--SAVE THESE INSTRUCTIONS--

DIMENSIONS



TOOLS / PARTS FOR INSTALLATION



ASSEMBLY AND INSTALLATION

The MSP-WLK1 mounting arms are designed to be mounted to MSP-WLC20 or MSP-WLC30 columns. These arms can be used to create multiple display configurations as long as the total weight capacity does not exceed the weight capacity of the MSP-WLC20 or MSP-WLC30 that it is attached to.

IMPORTANT ! : The only acceptable two display configuration is for the arms to be installed on opposite sides of the column!

1. Install MSP-WLC20 or MSP-WLC30 column to mounting surface following MSP-WLC20/30 installation instructions. Do NOT install column cap until after the arms have been installed.
2. Slide MSP-WLK1 arm(s) (A) onto MSP-WLC20/30 column in channels to be used for mounting. (See Figure 1)
3. Tighten screws to secure each arm to column at desired mounting height. (See Figure 1)
4. Replace cap on top of column. (See Figure 1)

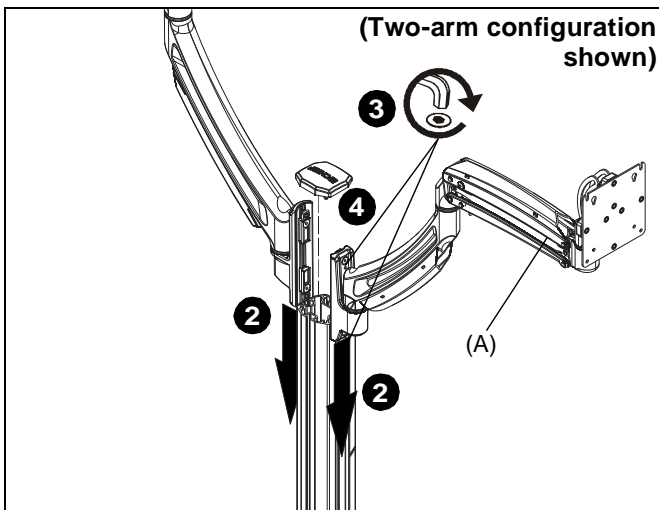


Figure 1

Display Installation

1. Remove quick release faceplate from mount by pulling quick release lever and sliding faceplate off mount. (See Figure 2)

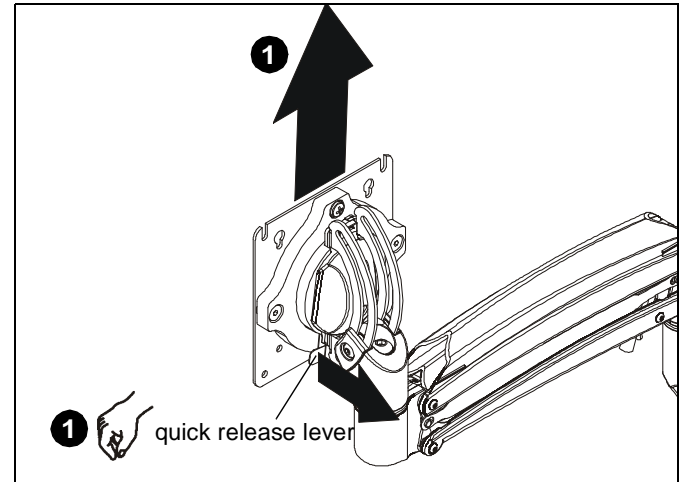


Figure 2



WARNING: Exceeding the weight capacity can result in serious personal injury or damage to equipment! It is the installer's responsibility to make sure the combined weight of all components attached to the MSP-WLK1 mount does not exceed 25 lbs (11.34 lbs) per display. Use with products heavier than the maximum weight indicated may result in collapse of the mount and its accessories causing possible injury.

2. Carefully place display face down on protective surface.
3. Connect faceplate to display

For flush mounting hole installation:

- Using Phillips screwdriver, carefully install four M4x10mm screws (B) through corresponding holes on faceplate and into the mounting holes on the display. (See Figure 3)

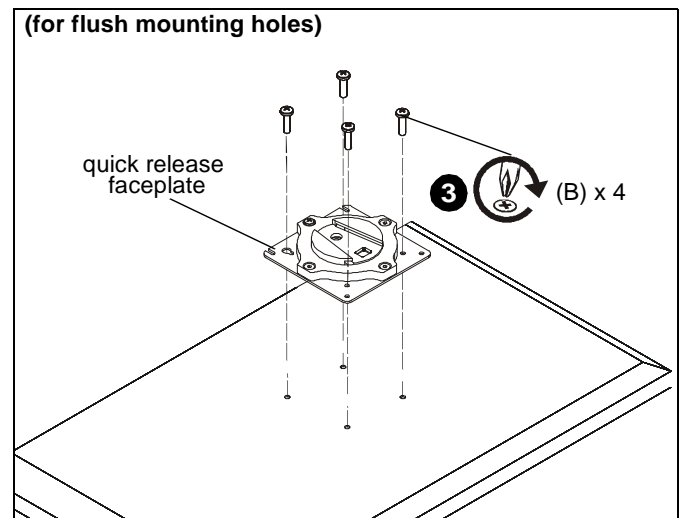


Figure 3

For recessed mounting hole installation:

- Place four spacers (D) on top of mounting holes on back of display. (See Figure 4)
- Using Phillips screwdriver, carefully install four M4x20mm screws (C) through corresponding holes on faceplate, spacers (D) and into the mounting holes on the display. (See Figure 4)

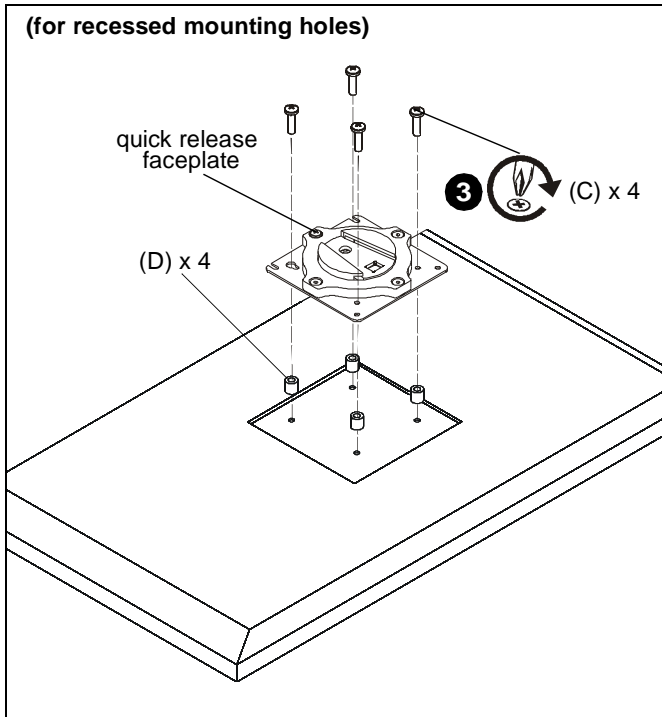


Figure 4

4. Position display with faceplate attached above mount. (See Figure 5)
5. Slide faceplate onto mounting head until quick release tab clicks into place. (See Figure 5)

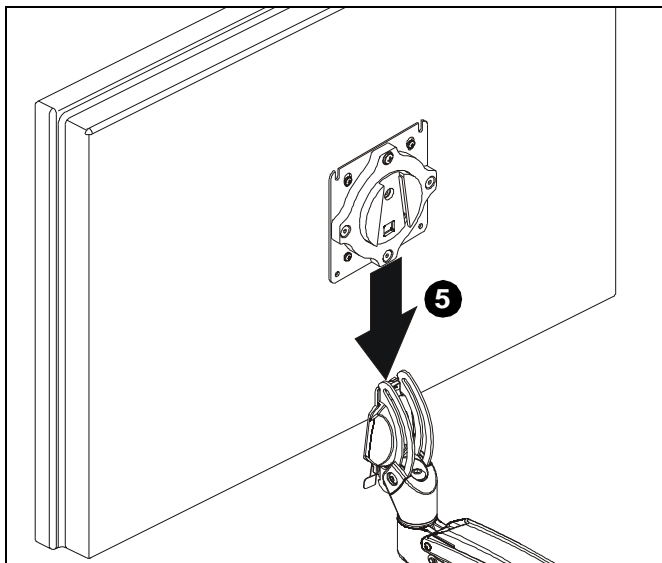


Figure 5

Adjustments

Pitch Adjustment (non-array models)

1. Adjust pitch to desired tilt position. (See Figure 6)
2. Adjust pitch tension screw to change the adjustment tension. (See Figure 6)

Pivot Adjustment (non-array models)

3. Adjust pivot position as desired. (See Figure 6)
4. Use 3/16" hex key (G) to adjust pivot point tension screws to change pivot adjustment tension. (See Figure 6)

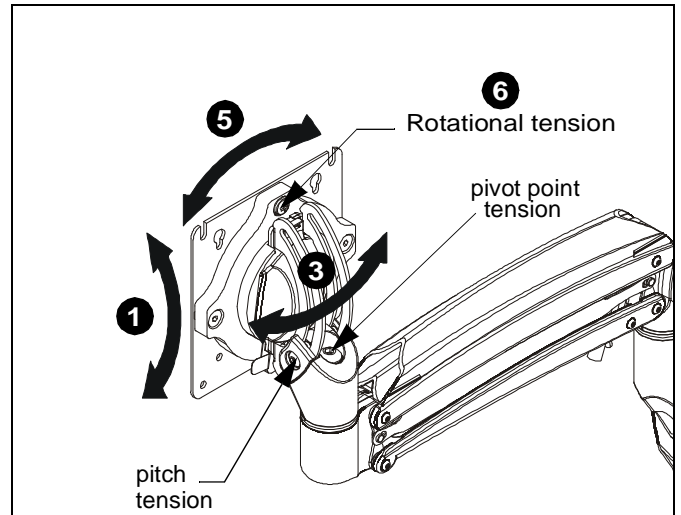


Figure 6

Rotational Adjustment

NOTE: (Optional) Rotational adjustment may be locked by installing rotational locking screw (F) into back of faceplate. (See Figure 7)

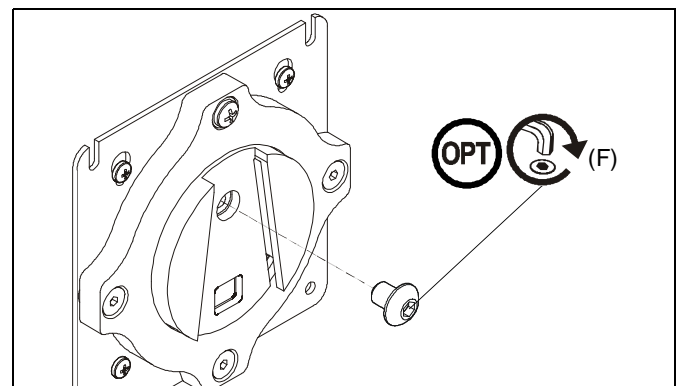


Figure 7

5. The monitor may be adjusted 90 degrees in either direction in order to provide a portrait view of the monitor. (See Figure 6)
6. Use 3/16" hex key (G) to adjust rotational adjustment screw to adjust rotational tension. (See Figure 6)

Lift Arm Tension Adjustment

1. Tension may be adjusted with tension adjustment screw inside cable management cover and 1/8" hex key (H). Turn clockwise to reduce tension or counter-clockwise to increase tension. (See Figure 8)

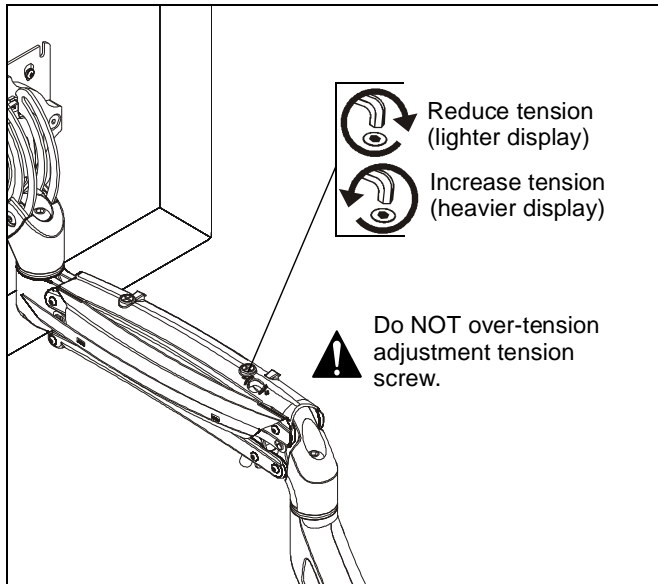


Figure 8

Display Removal

WARNING: Only remove display from mount when the display can be lifted up from the mount! DO NOT remove display unless the display is in the upright position! (See Figure 9)

1. Make sure display is in the upright position.
2. Remove quick release faceplate from mount by pulling quick release lever and sliding faceplate off mount. (See Figure 9)

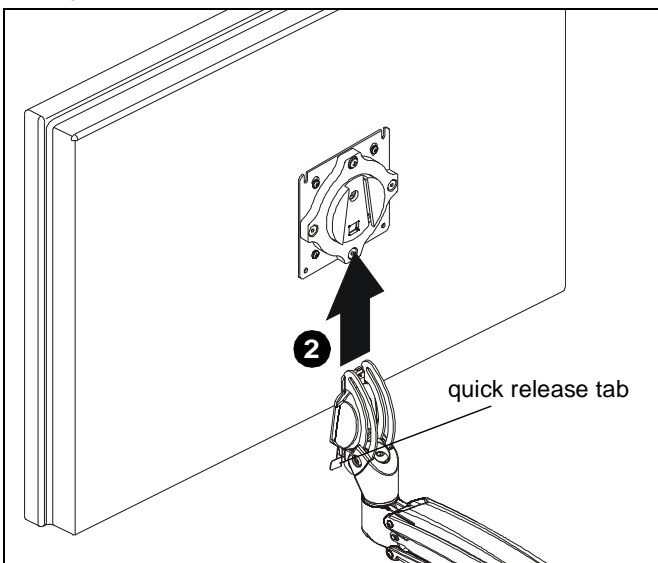


Figure 9

Display Removal Security Screw

NOTE: In order to prevent display from being easily removed from mount using the quick release lever, install M4x4mm security screw (E) into lower hole on back of faceplate. (See Figure 10)

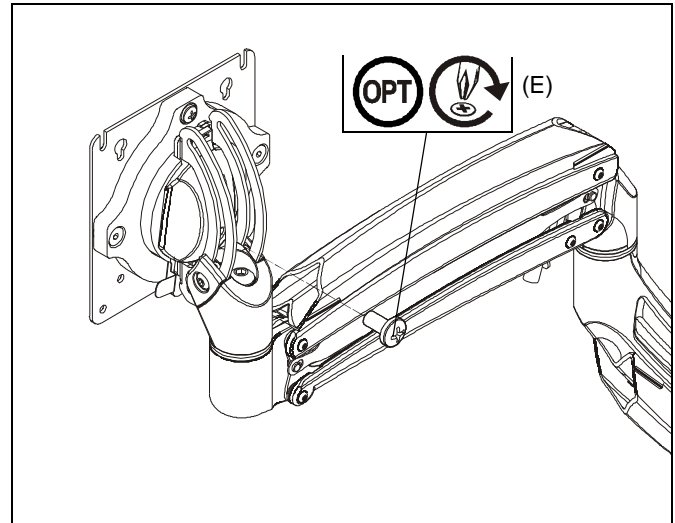


Figure 10

Pivot Adjustment Range

Two-arm Configuration

1. Adjust arm angles as desired within a 90 degree range from the pivot point of the arm and a perpendicular centerline of mount. (See Figure 11)

WARNING: Swinging the arm beyond this range may result in the mount slipping of the desk causing serious injury!

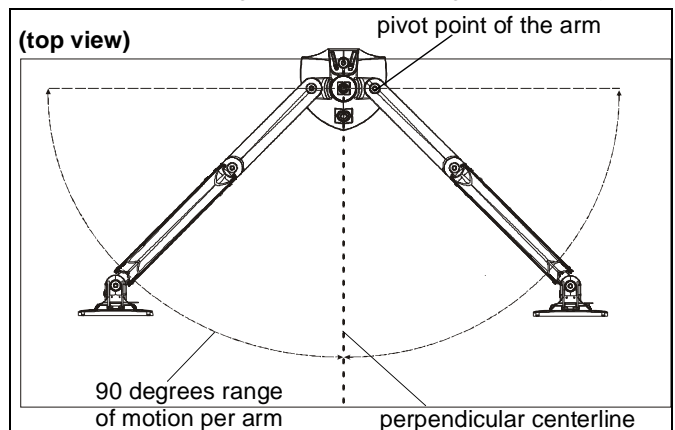


Figure 11



Our Mounts. **Your Vision.**

Chief, a products division of
Milestone AV Technologies

8800-002890 Rev00
©2017 Milestone AV Technologies
www.milestone.com
02/17

USA/International	A 6436 City West Parkway, Eden Prairie, MN 55344 P 800.582.6480 / 952.225.6000 F 877.894.6918 / 952.894.6918
Europe	A Franklinstraat 14, 6003 DK Weert, Netherlands P +31 (0) 495 580 852 F +31 (0) 495 580 845
Asia Pacific	A Office No. 9 on 918/F, Shatin Galleria 18-24 Shan Mei Street Fotan, Shatin, Hong Kong P 852 2145 4099 F 852 2145 4477

