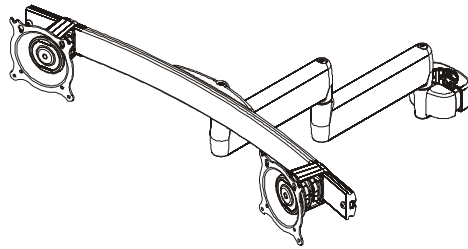
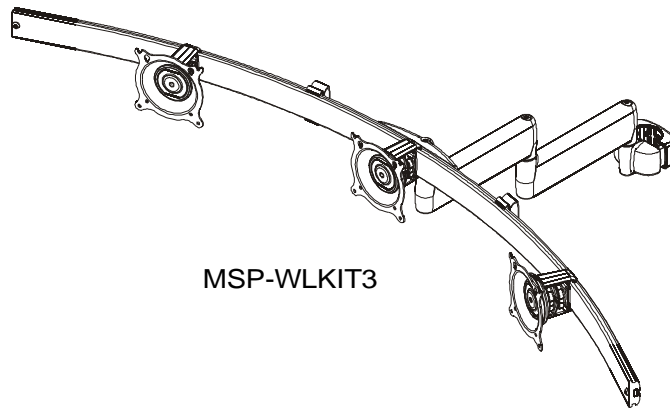

INSTALLATION INSTRUCTIONS



MSP-WLKIT1/WLKIT2



MSP-WLKIT3

Pole Mount Array Kits

DISCLAIMER

Milestone AV Technologies, Inc., and its affiliated corporations and subsidiaries (collectively, "Milestone"), intend to make this manual accurate and complete. However, Milestone makes no claim that the information contained herein covers all details, conditions or variations, nor does it provide for every possible contingency in connection with the installation or use of this product. The information contained in this document is subject to change without notice or obligation of any kind. Milestone makes no representation of warranty, expressed or implied, regarding the information contained herein. Milestone assumes no responsibility for accuracy, completeness or sufficiency of the information contained in this document.

Chief® and Centris™ are trademarks of Milestone AV Technologies, Inc. All rights reserved.



WARNING: Never operate this mounting system if it is damaged. Return the mounting system to a service center for examination and repair.



WARNING: Do not use this product outdoors.

--SAVE THESE INSTRUCTIONS--



IMPORTANT SAFETY INSTRUCTIONS!



WARNING: A WARNING alerts you to the possibility of serious injury or death if you do not follow the instructions.



CAUTION: A CAUTION alerts you to the possibility of damage or destruction of equipment if you do not follow the corresponding instructions.



WARNING: Failure to read, thoroughly understand, and follow all instructions can result in serious personal injury, damage to equipment, or voiding of factory warranty! It is the installer's responsibility to make sure all components are properly assembled and installed using the instructions provided.



WARNING: Failure to provide adequate structural strength for this component can result in serious personal injury or damage to equipment! It is the installer's responsibility to make sure the structure to which this component is attached can support five times the combined weight of all equipment. Reinforce the structure as required before installing the component.

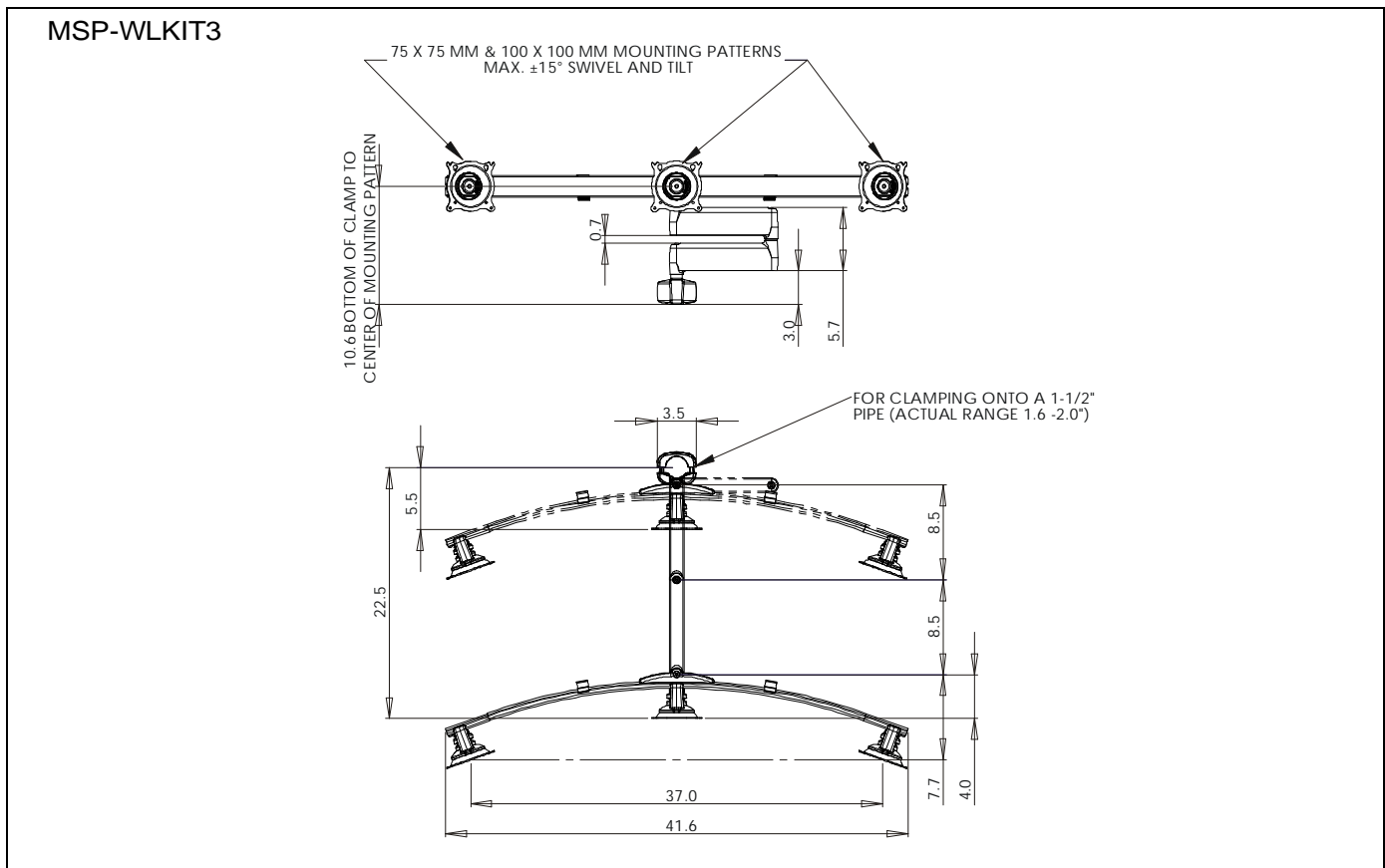
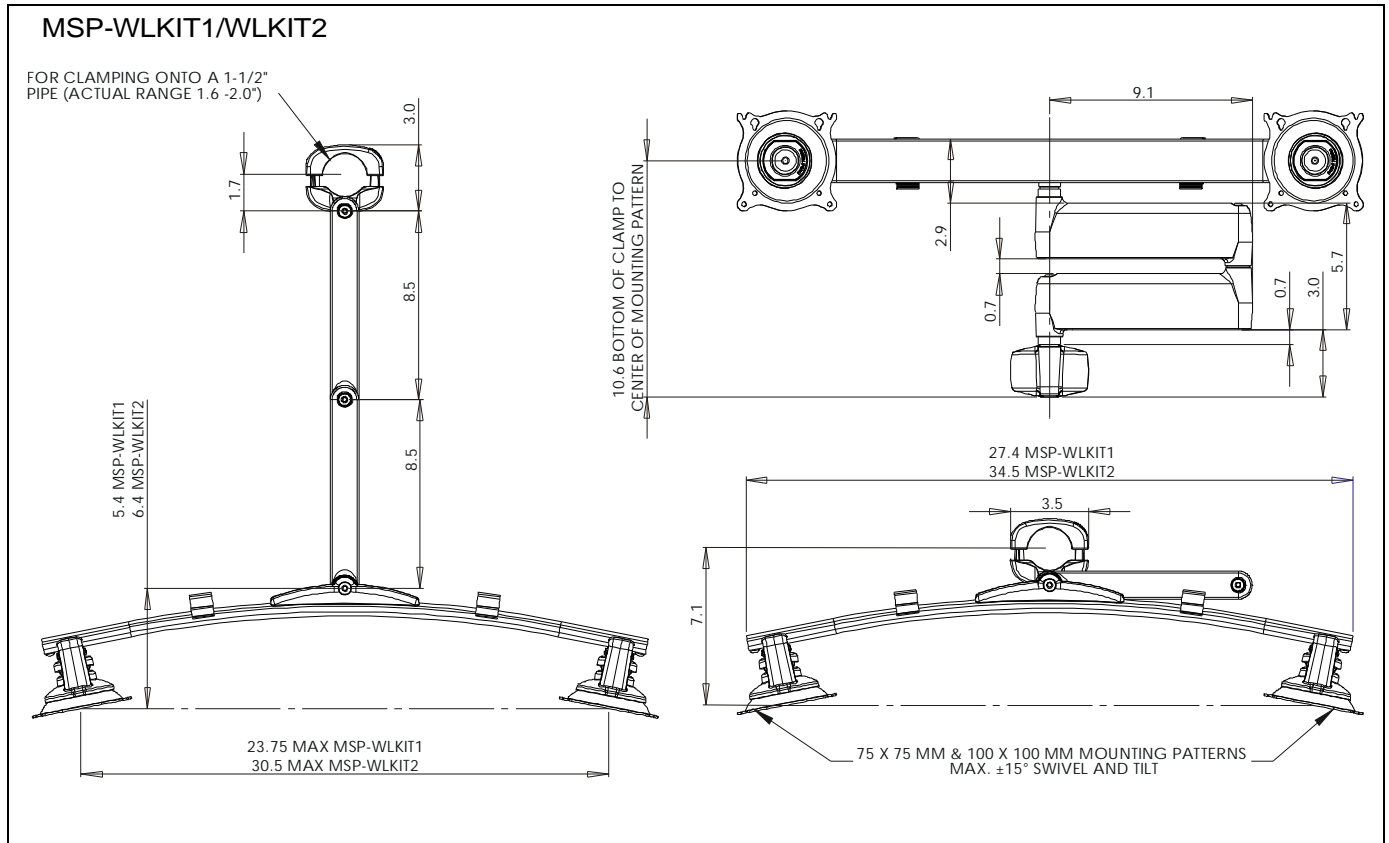


WARNING: Exceeding the weight capacity can result in serious personal injury or damage to equipment! It is the installer's responsibility to make sure the combined weight of all components located between the MSP-WLKIT Series mounts up to (and including) the displays does not exceed a total of 24 lbs (10.89 kg). For the MSP-WLKIT1 and MSP-WLKIT2, each display cannot exceed 12 lbs (5.44 kg). For the MSP-WLKIT3, each display cannot exceed 8 lbs (3.63 kg).



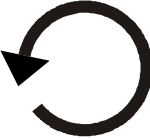











WARNING: Use this mounting system only for its intended use as described in these instructions. Do not use attachments not recommended by the manufacturer.

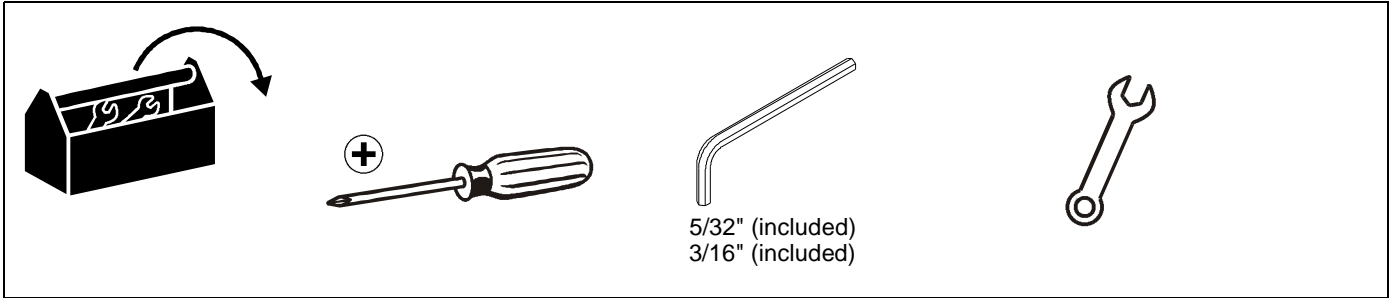
DIMENSIONS



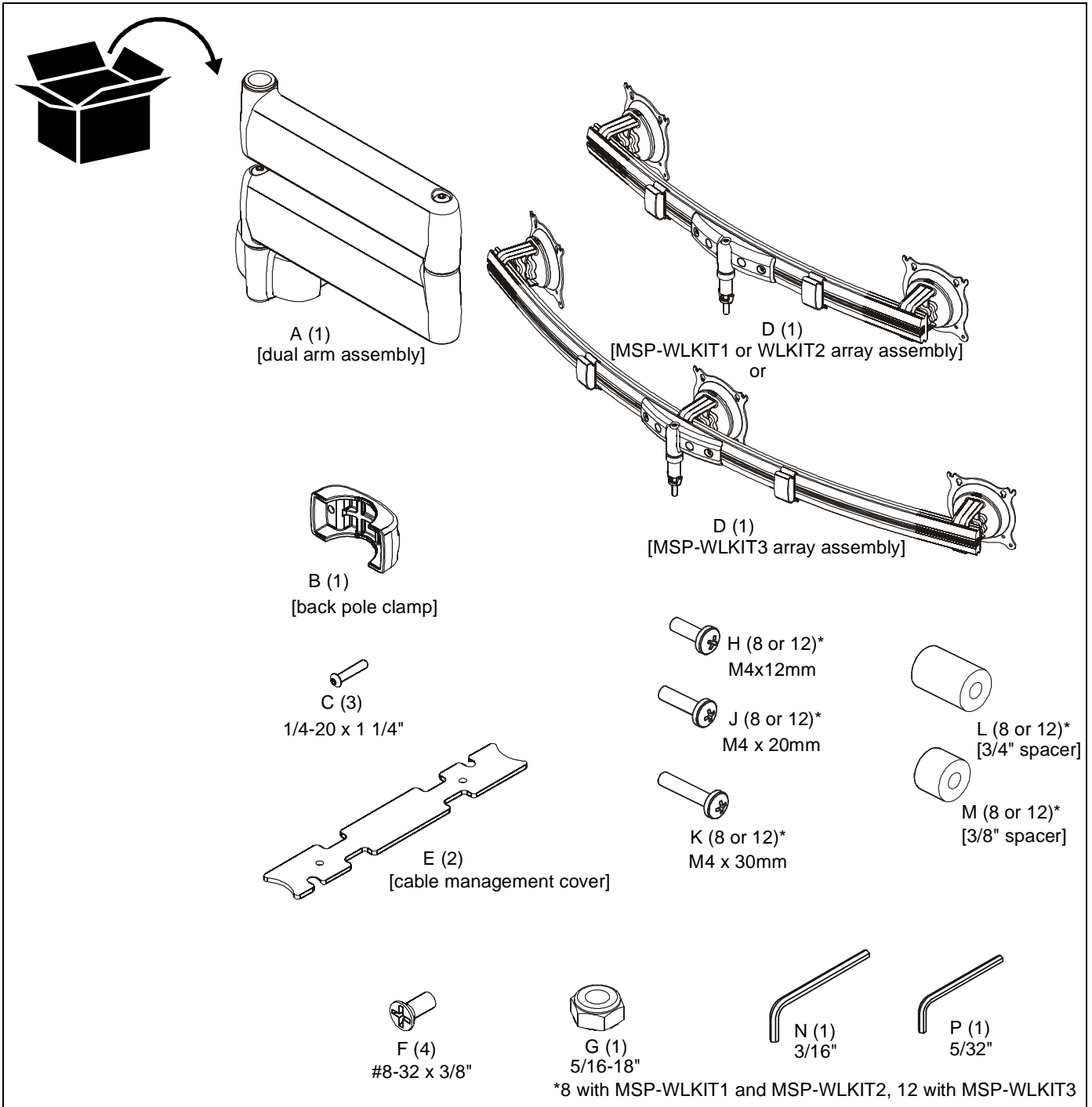
LEGEND

	Tighten Fastener Apretar elemento de fijación Befestigungsteil festziehen Apertar fixador Serrare il fissaggio Bevestiging vastdraaien Serrez les fixations		Pencil Mark Marcar con lápiz Stiftmarkierung Marcar com lápis Segno a matita Potloodmerkteken Marquage au crayon
	Loosen Fastener Aflojar elemento de fijación Befestigungsteil lösen Desapertar fixador Allentare il fissaggio Bevestiging losdraaien Desserrez les fixations		Drill Hole Perforar Bohrloch Fazer furo Praticare un foro Gat boren Percez un trou
	Phillips Screwdriver Destornillador Phillips Kreuzschlitzschraubendreher Chave de fendas Phillips Cacciavite a stella Kruiskopschroevendraaier Tournevis à pointe cruciforme		Adjust Ajustar Einstellen Ajustar Regolare Afstellen Ajuster
	Open-Ended Wrench Llave de boca Gabelschlüssel Chave de bocas Chiave a punte aperte Steeksleutel Clé à fourche		Remove Quitar Entfernen Remover Rimuovere Verwijderen Retirez
	By Hand A mano Von Hand Com a mão A mano Met de hand À la main		Optional Opcional Optional Opcional Opzionale Optie En option
	Hex-Head Wrench Llave de cabeza hexagonal Sechskantschlüssel Chave de cabeça sextavada Chiave esagonale Zeskantsleutel Clé à tête hexagonale		Security Wrench Llave de seguridad Sicherheitsschlüssel Chave de segurança Chiave di sicurezza Veiligheidsleutel Clé de sécurité

TOOLS REQUIRED FOR INSTALLATION



PARTS



INSTALLATION

Installation to Column

IMPORTANT ! : The following installation instructions assume that a 1-1/2" NPT pipe has been properly installed and is in place.

1. Determine approximate location for mount keeping in mind display size, extension, height adjustment (if applicable), and pitch/roll requirements.
2. Place dual arm assembly (A) against pole, with back pole clamp (B) on opposite side of pole. Using 5/32" hex key, loosely assemble with three 1/4-20 x 1-1/4" button head cap screws (C). (See Figure 1)

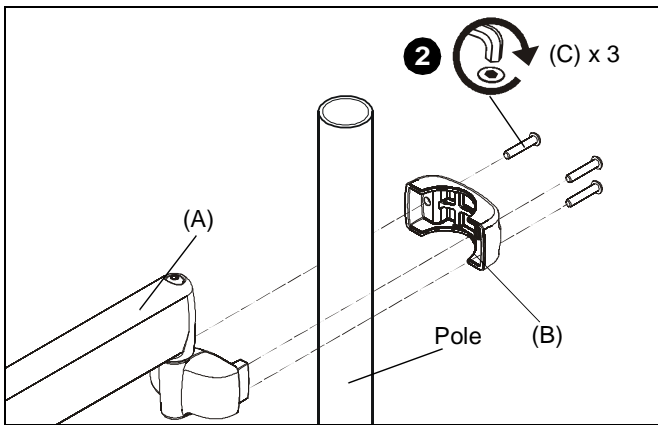


Figure 1

NOTE: Equally tighten screws (C) against clamp (B) and mount (A). (See Figure 2)

3. Position mount at desired height and orientation. Tighten screws (C) securely.

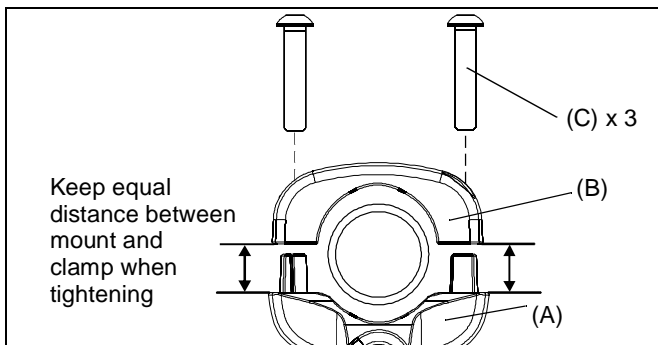


Figure 2

DISPLAY INSTALLATION



WARNING: Exceeding the weight capacity can result in serious personal injury or damage to equipment! It is the installer's responsibility to make sure the combined weight of all components located between the MSP-WLKIT Series mounts up to (and including) the displays does not exceed a total of 24 lbs (10.89 kg). For the MSP-WLKIT1 and MSP-WLKIT2, each display cannot exceed 12 lbs (5.44 kg). For the MSP-WLKIT3, each display cannot exceed 8 lbs (3.63 kg).

1. Uninstall end lock using the 5/32" hex key (N). (See Figure 3)
2. Remove Centris head from mounting rail.

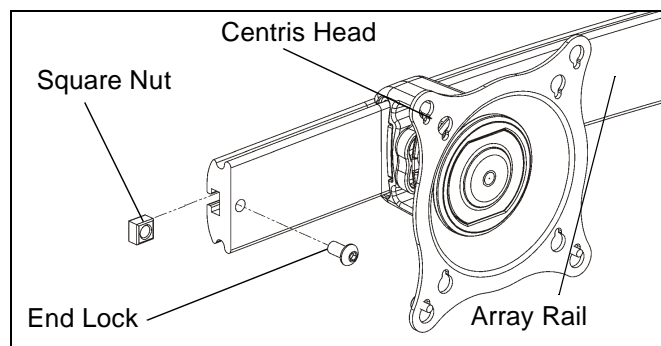


Figure 3

FLUSH MOUNTING HOLES

1. Carefully place display face down on protective surface.
2. Place the Centris head (dual knob assembly) onto the back of the display, aligning the mounting holes on the Centris bracket with the mounting holes on the display.



CAUTION: Using screws of improper size may damage your display! Proper screws will easily and completely thread into display mounting holes.

3. Using Phillips screwdriver, install four M4x12mm screws (H) through the mounting holes in Centris bracket into the display (See Figure 4). Tighten all four screws (H). Do not overtighten!

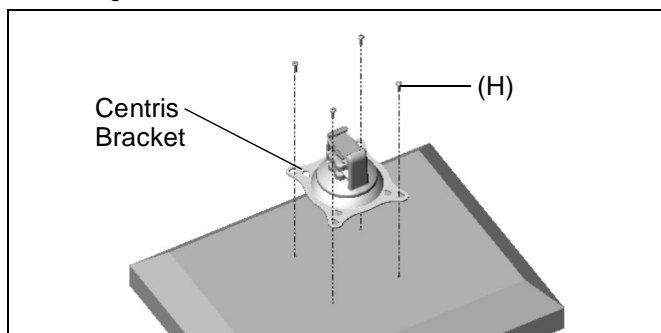


Figure 4

4. Proceed to "ARRAY ASSEMBLY."

RECESSED MOUNTING HOLES

1. Carefully place display face down on protective surface.
2. Determine depth of recessed mounting holes relative to back surface of display (against which Centris head dual knob assembly will contact).
3. Select proper length spacer and screw from table below:

NOTE: All spacers used should be the same length. If the recess depths result in multiple spacer lengths, then select the longer spacer.

IF recess DEPTH is:	THEN use spacer:	AND screw:
3/8" or less	M (3/8" long)	J (M4 x 20mm)
More than 3/8" up to and including 3/4"	L (3/4" long)	K (M4 x 30mm)

4. Place the four selected spacers over each of the mount holes on the back of the display.
5. Place the Centris head (dual knob assembly) onto the spacers, aligning the mounting holes on the Centris bracket with the holes in the spacers. (See Figure 5)



CAUTION: Using screws of improper size may damage your display! Proper screws will easily and completely thread into display mounting holes.

6. Using Phillips screwdriver, install four selected screws through the mounting holes in Centris bracket, through the spacers, into the display (See Figure 5). Tighten all four screws. Do not overtighten!
7. Proceed to "ARRAY ASSEMBLY."

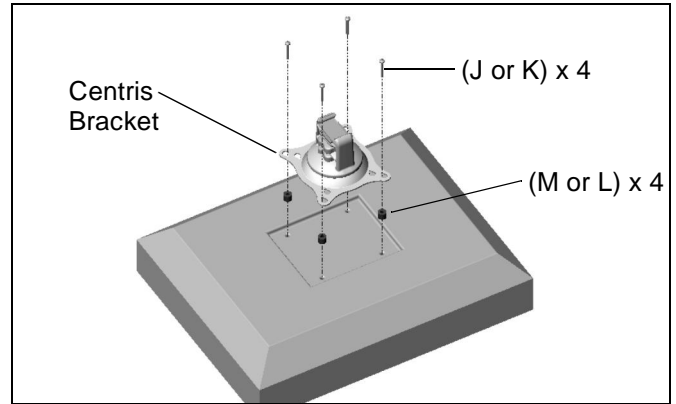


Figure 5

ARRAY ASSEMBLY

1. Remove and recycle wing nut from array assembly's (D) mounting bolt. (See Figure 6)

IMPORTANT ! : Make sure no spacers or washers fall off of bolt after wing nut is removed!

2. Use 5/16-18" lock nut (G) to secure array assembly (D) to dual arm assembly (A). (See Figure 6)
3. Tighten screw on array as required using 3/16" hex key. (See Figure 6)

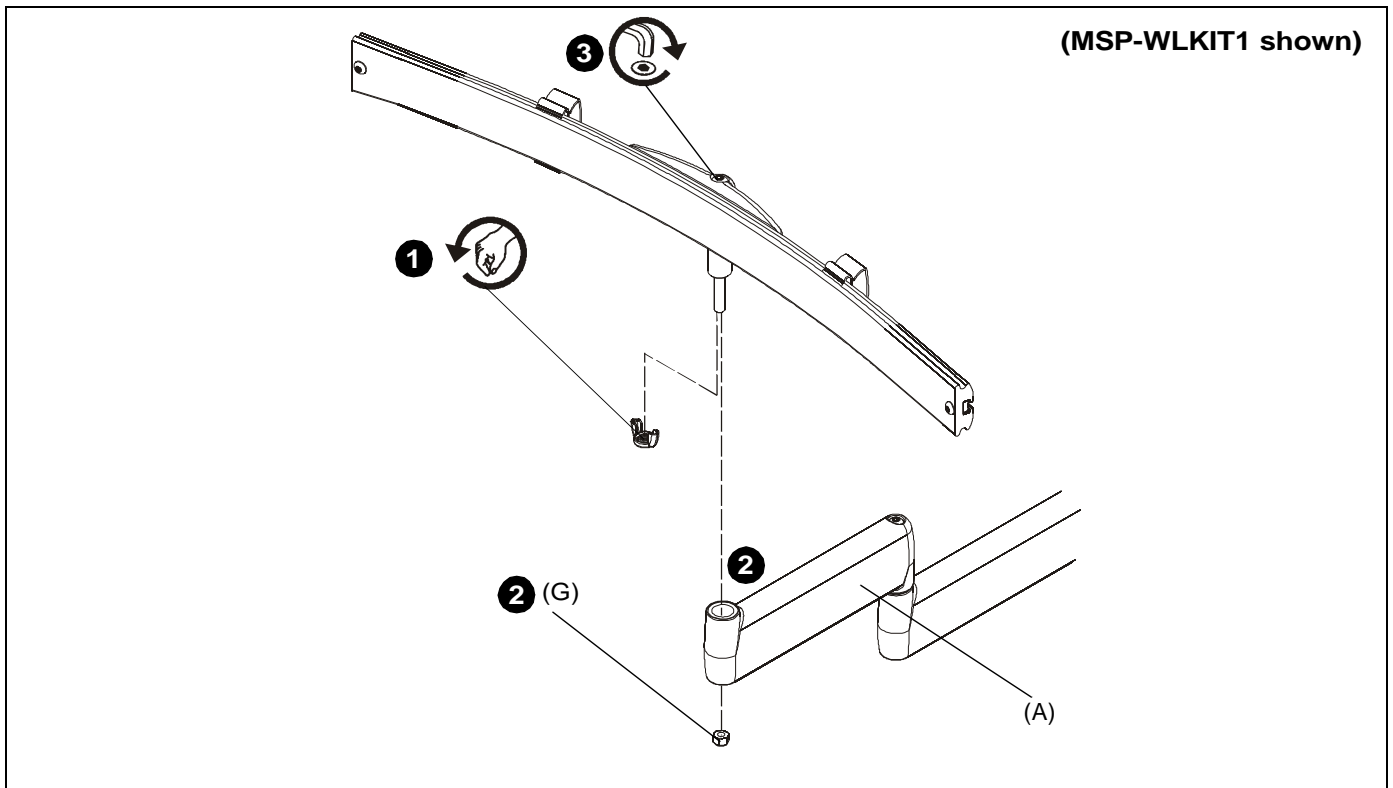


Figure 6

- Slide the Centris head onto the array (D) (See Figure 7). Ensure both the top and the bottoms of the Centris head are engaged into the corresponding slots in the array (D). (See Figure 7)

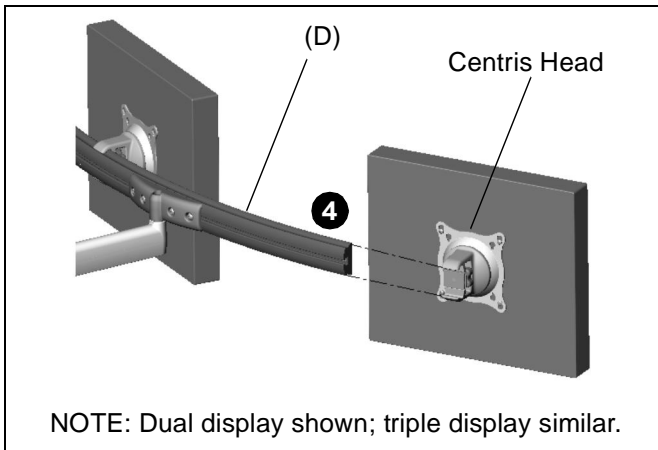


Figure 7

- Position the displays as desired and tighten the Centris head knob closest to the array (D). See "ADJUSTMENT" for additional information.
- Using 5/32" hex key, install removed screw and nut on each end of the array (D) to prevent displays from accidentally sliding off. (See Figure 8)

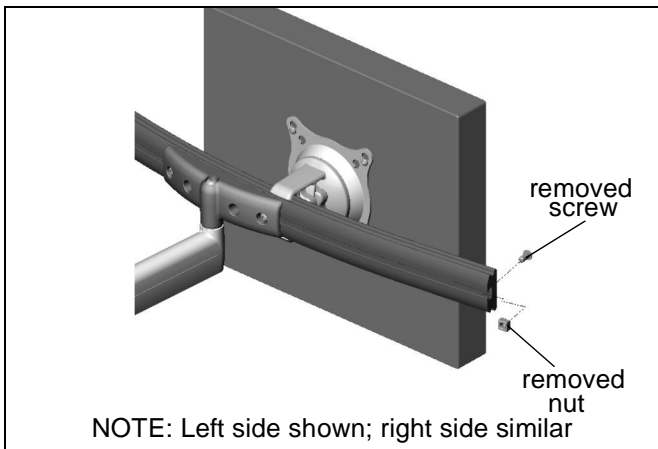


Figure 8

CABLE MANAGEMENT

- Attach all cables to displays.



CAUTION: Ensure that adequate cable slack exists for movement of display, and that cables will not be pinched by installation of cable management cover(s) (X) or screws (Y).

- Carefully insert cables in cavity located in upper portion of mount arm. (See Figure 9)
- Install cover (E) with two 8-32 x 3/8" Phillips screws (F).

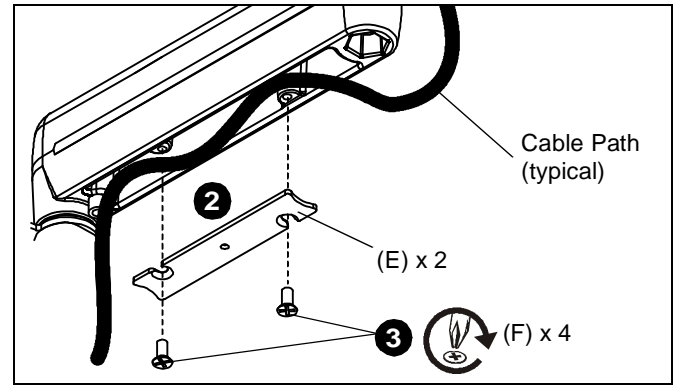


Figure 9

- Repeat Steps 2-3 for lower portion of mount arm.

ADJUSTMENTS

- LATERAL POSITION ON ARRAY:

- Using your fingers, slightly loosen adjustment knob "A". (See Figure 10)
- Slide display to desired position.
- Using your fingers, tighten adjustment knob "A".

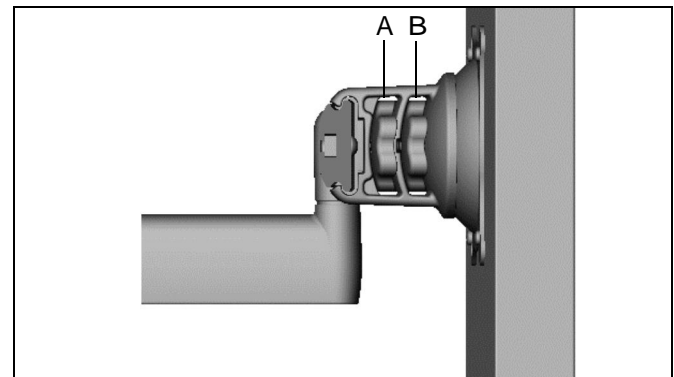


Figure 10

- PITCH / YAW / ROLL:

- Using your fingers, slightly loosen adjustment knob "B" (See Figure 10).
- Adjust display as desired.
- Using your fingers, tighten adjustment knob "B".



Our Mounts. **Your Vision.**

Chief Manufacturing, a products division
of Milestone AV Technologies

8800-002194 Rev00

©2012 Milestone AV Technologies, a
Duchossois Group Company

www.chiefmfg.com

06/12

USA/International	A 6436 City West Parkway, Eden Prairie, MN 55344
	P 800.582.6480 / 952.225.6000
	F 877.894.6918 / 952.894.6918
Europe	A Franklinstraat 14, 6003 DK Weert, Netherlands
	P +31 (0) 495 580 852
	F +31 (0) 495 580 845
Asia Pacific	A Office No. 1 on 12/F, Shatin Galleria 18-24 Shan Mei Street Fotan, Shatin, Hong Kong
	P 852 2145 4099
	F 852 2145 4477

