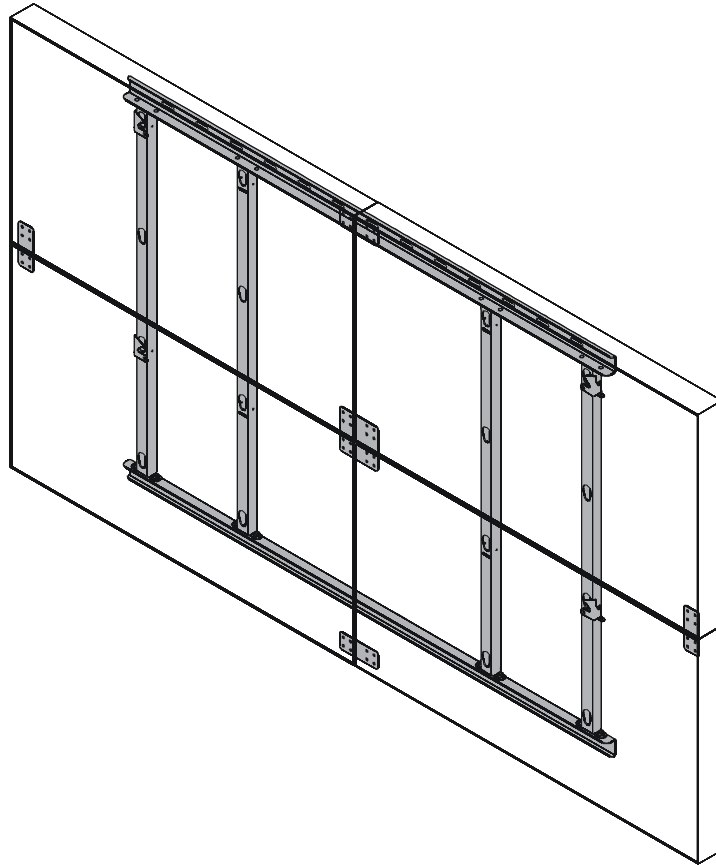


---

# INSTALLATION INSTRUCTIONS

---



---

## 2 X 2 Array Wall Mount

---

## DISCLAIMER

Milestone AV Technologies and its affiliated corporations and subsidiaries (collectively "Milestone"), intend to make this manual accurate and complete. However, Milestone makes no claim that the information contained herein covers all details, conditions or variations, nor does it provide for every possible contingency in connection with the installation or use of this product. The information contained in this document is subject to change without notice or obligation of any kind. Milestone makes no representation of warranty, expressed or implied, regarding the information contained herein. Milestone assumes no responsibility for accuracy, completeness or sufficiency of the information contained in this document.

Chief® is a registered trademark of Milestone AV Technologies. All rights reserved.



## IMPORTANT SAFETY INSTRUCTIONS!



**WARNING:** A WARNING alerts you to the possibility of serious injury or death if you do not follow the instructions.



**CAUTION:** A CAUTION alerts you to the possibility of damage or destruction of equipment if you do not follow the corresponding instructions.



**WARNING:** Failure to read, thoroughly understand, and follow all instructions can result in serious personal injury, damage to equipment, or voiding of factory warranty! It is the installer's responsibility to make sure all components are properly assembled and installed using the instructions provided.



**WARNING:** Failure to provide adequate structural strength for this component can result in serious personal injury or damage to equipment! It is the installer's responsibility to make sure the structure to which this component is attached can support a minimum of five times the weight of the mount and displays being mounted. Reinforce the structure as required before installing the component. The wall to which the mount is being attached may have a maximum drywall thickness of 5/8" (1.6cm).



**WARNING:** Exceeding the weight capacity can result in serious personal injury or damage to equipment! It is the installer's responsibility to make sure the combined weight of all components attached to the MSP-WM46UN2X2/WM463UN2X2 mount does not exceed 280 lbs (127 kg). The weight of each individual display cannot exceed 70 lbs (31.75 kg).



**WARNING:** Use this mounting system only for its intended use as described in these instructions. Do not use attachments not recommended by the manufacturer.



**WARNING:** Never operate this mounting system if it is damaged. Return the mounting system to a service center for examination and repair.

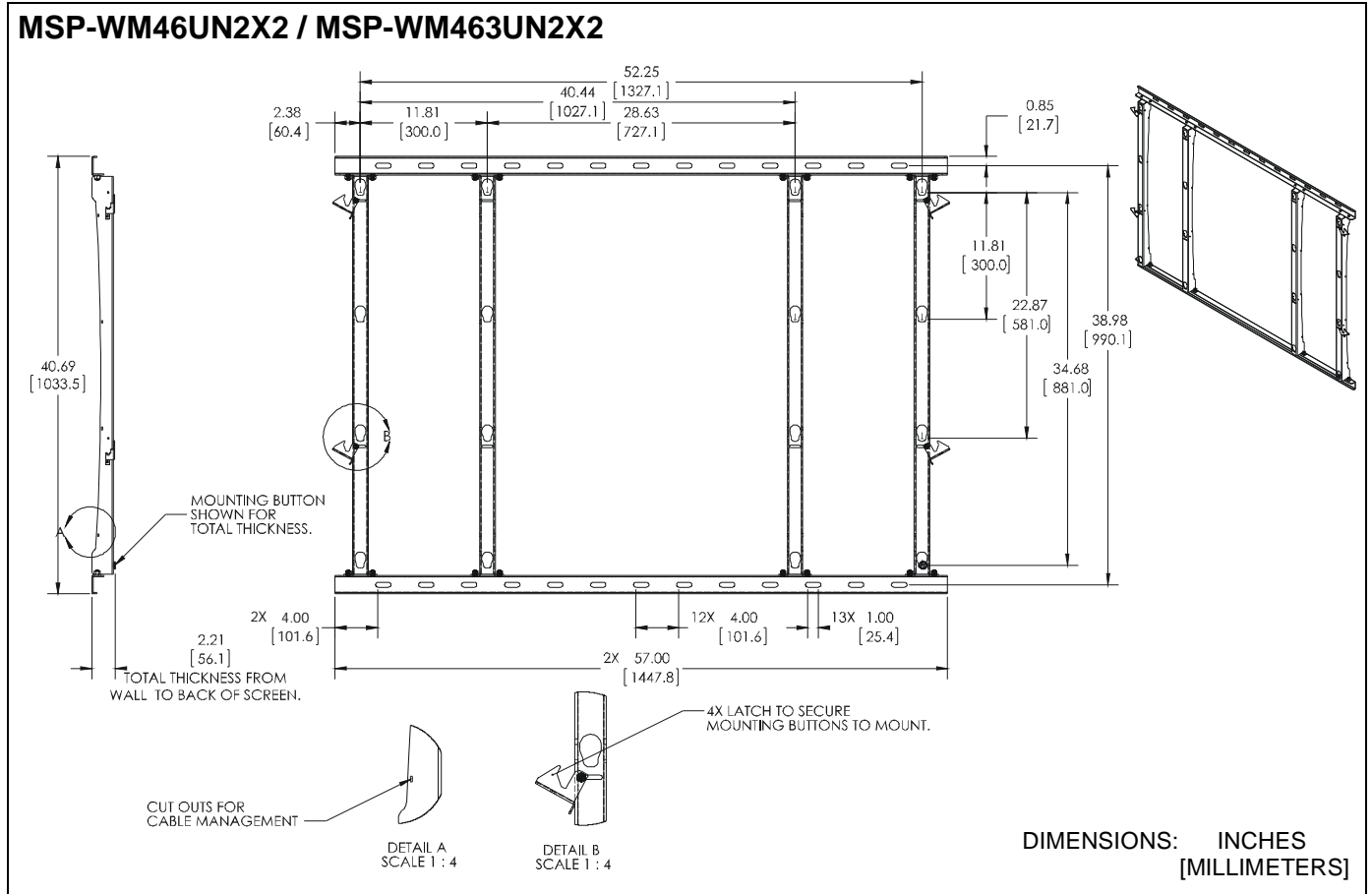


**WARNING:** Do not use this product outdoors.

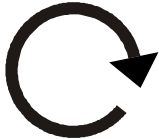

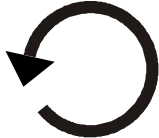









**IMPORTANT ! :** The MSP-WM46UN2X2/WM463UN2X2 mount is designed to be mounted to an 8" concrete, 8"x8"x16" concrete block, or 2" x 4" wood studs (24" or 16" on center).

**--SAVE THESE INSTRUCTIONS--**

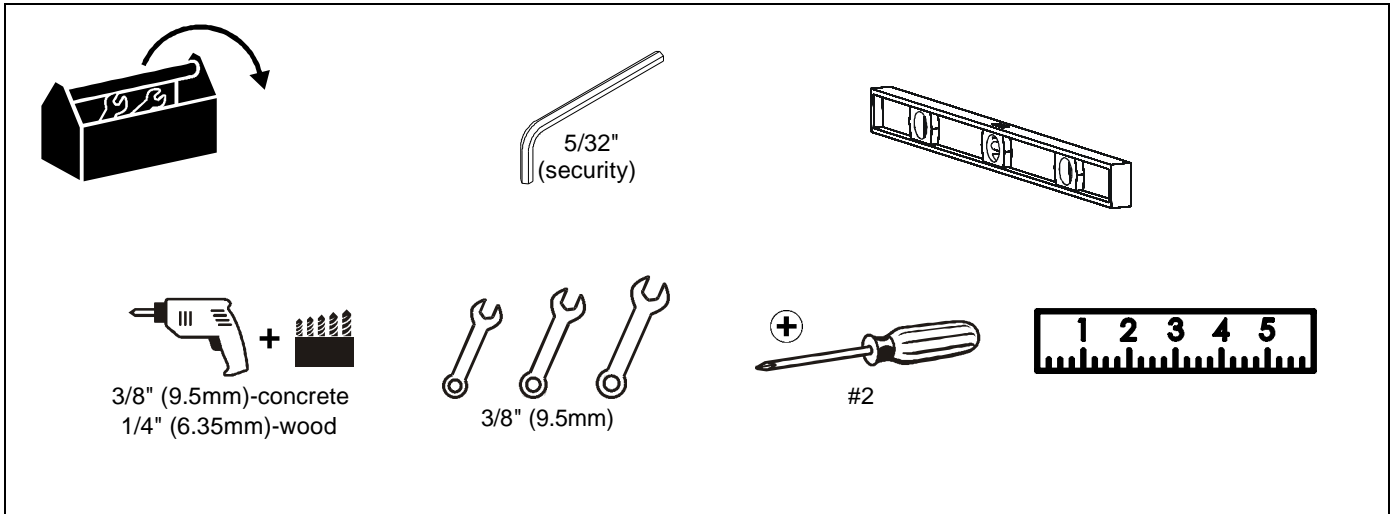
**DIMENSIONS**



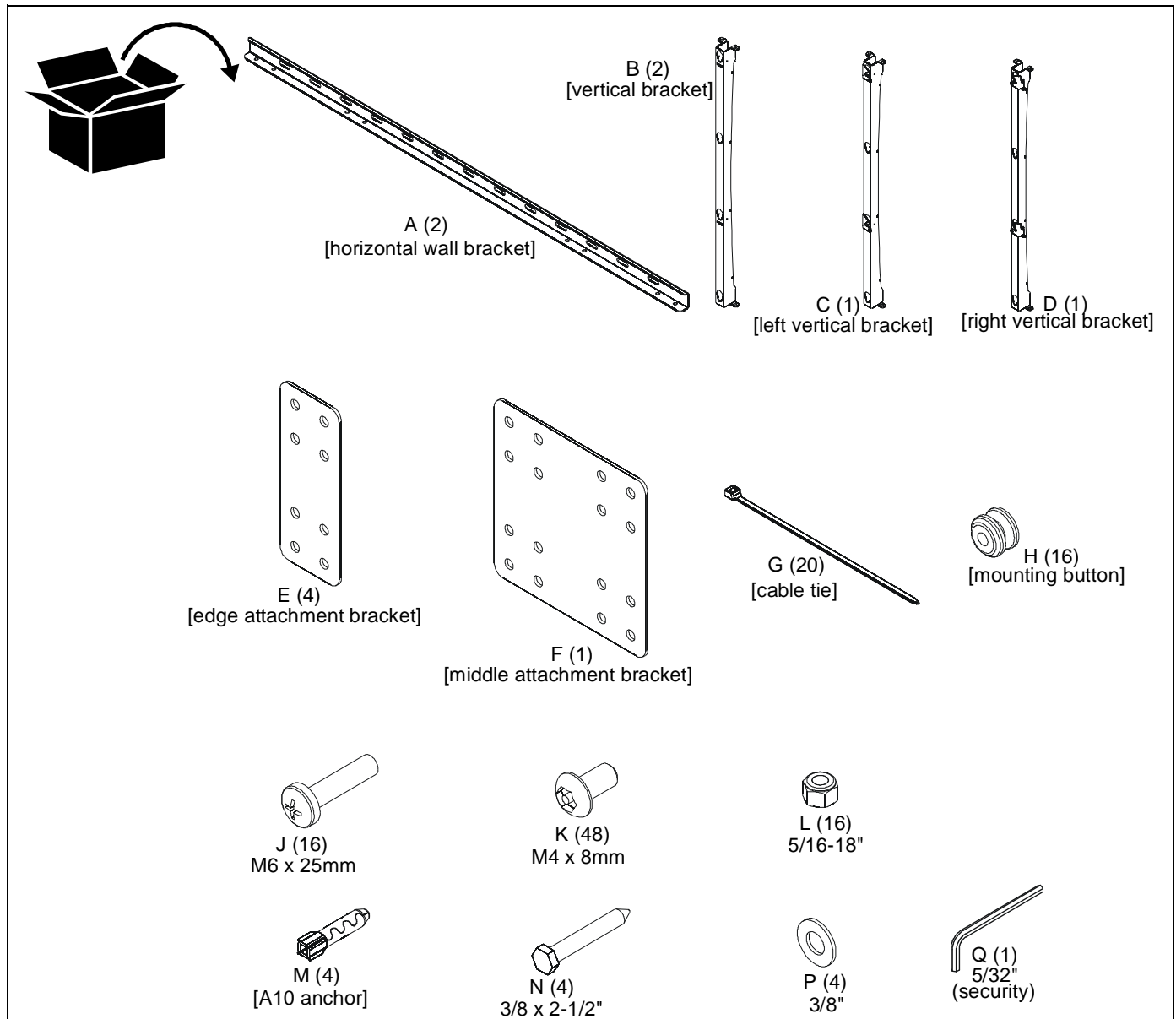
## LEGEND

	<b>Tighten Fastener</b> Apretar elemento de fijación Befestigungsteil festziehen Apertar fixador Serrare il fissaggio Bevestiging vastdraaien Serrez les fixations		<b>Pencil Mark</b> Marcar con lápiz Stiftmarkierung Marcar com lápis Segno a matita Potloodmerkteken Marquage au crayon
	<b>Loosen Fastener</b> Aflojar elemento de fijación Befestigungsteil lösen Desapertar fixador Allentare il fissaggio Bevestiging losdraaien Desserrez les fixations		<b>Drill Hole</b> Perforar Bohrloch Fazer furo Praticare un foro Gat boren Percez un trou
	<b>Phillips Screwdriver</b> Destornillador Phillips Kreuzschlitzschraubendreher Chave de fendas Phillips Cacciavite a stella Kruiskopschroevendraaier Tournevis à pointe cruciforme		<b>Adjust</b> Ajustar Einstellen Ajustar Regolare Afstellen Ajuster
	<b>Open-Ended Wrench</b> Llave de boca Gabelschlüssel Chave de bocas Chiave a punte aperte Steeksleutel Clé à fourche		<b>Remove</b> Quitar Entfernen Remover Rimuovere Verwijderen Retirez
	<b>By Hand</b> A mano Von Hand Com a mão A mano Met de hand À la main		<b>Optional</b> Opcional Optional Opcional Opzionale Optie En option
	<b>Hex-Head Wrench</b> Llave de cabeza hexagonal Sechskantschlüssel Chave de cabeça sextavada Chiave esagonale Zeskantsleutel Clé à tête hexagonale		<b>Security Wrench</b> Llave de seguridad Sicherheitsschlüssel Chave de segurança Chiave di sicurezza Veiligheidsleutel Clé de sécurité

**TOOLS REQUIRED FOR INSTALLATION**



**PARTS**



## ASSEMBLY AND INSTALLATION

### Mount Assembly

1. Arrange four vertical brackets (B-D) with two horizontal brackets (A) making sure the right vertical bracket (C) is on the far right and the left vertical bracket (D) is on the far left. (See Figure 1)
2. Use 16 5/16-18" lock nuts (L) to attach vertical brackets to horizontal brackets. (See Figure 1)

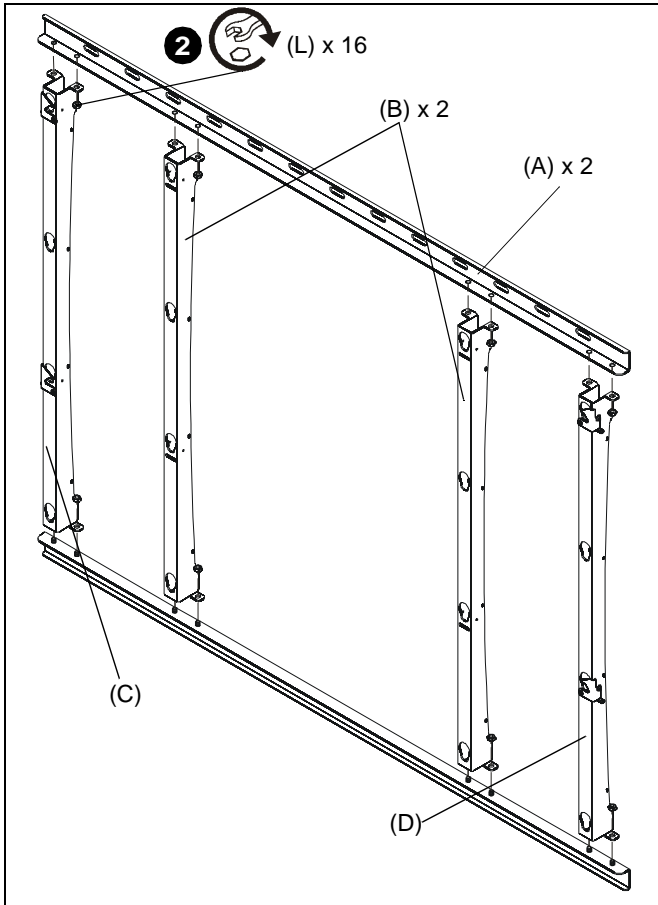


Figure 1

### Attach Mount to Wall - Concrete

**NOTE:** If attaching to wood studs, proceed to **Attach to Wall - Wood Studs** section.

**IMPORTANT ! :** The MSP-WM46UN2X2/WM463UN2X2 mount is designed to be mounted to an 8" concrete wall or 8"x8"x16" concrete block wall.

1. Determine mounting location on wall.
2. Determine mounting slots to be used for installation. (See Note below and Figure 2)

**NOTE:** Slots used must be at least 24" apart. Mount must be centered on anchors +/- 4 1/2". (See Figure 2)

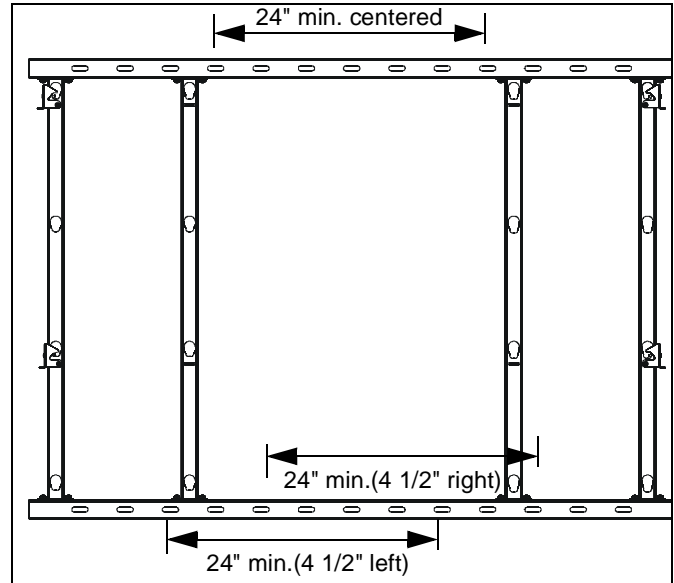


Figure 2

3. Using assembled mount as a template, mark four holes in selected mounting holes on wall. Use a level to make sure of an even mount. (See Figure 3)
4. Drill four 3/8" holes in wall 3 1/2" deep at marked locations. (See Figure 3)
5. Install four concrete anchors (M) into four drilled holes on wall. (See Figure 3)
6. Install four 3/8 x 2 1/2" hex head lag screws (N) through four 3/8" washers (P), holes on mount and into four concrete anchors. (See Figure 3)

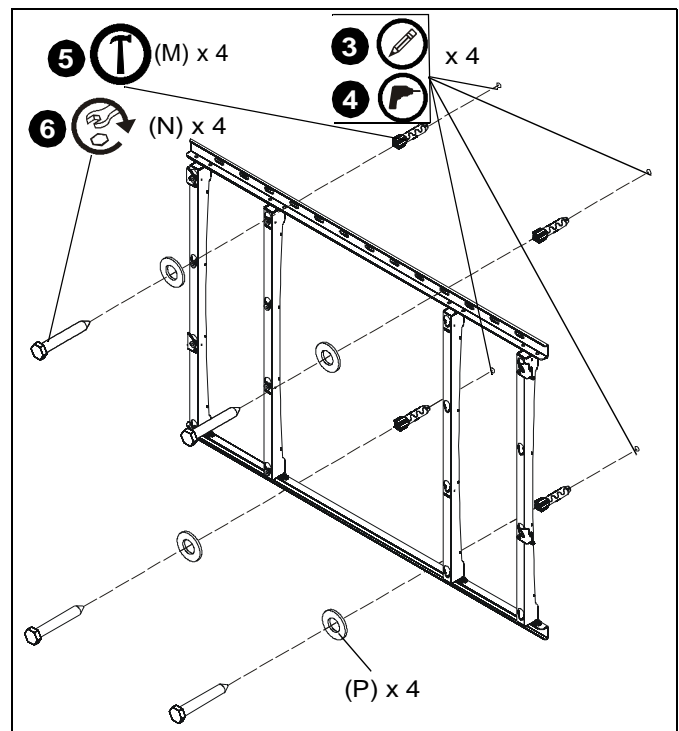


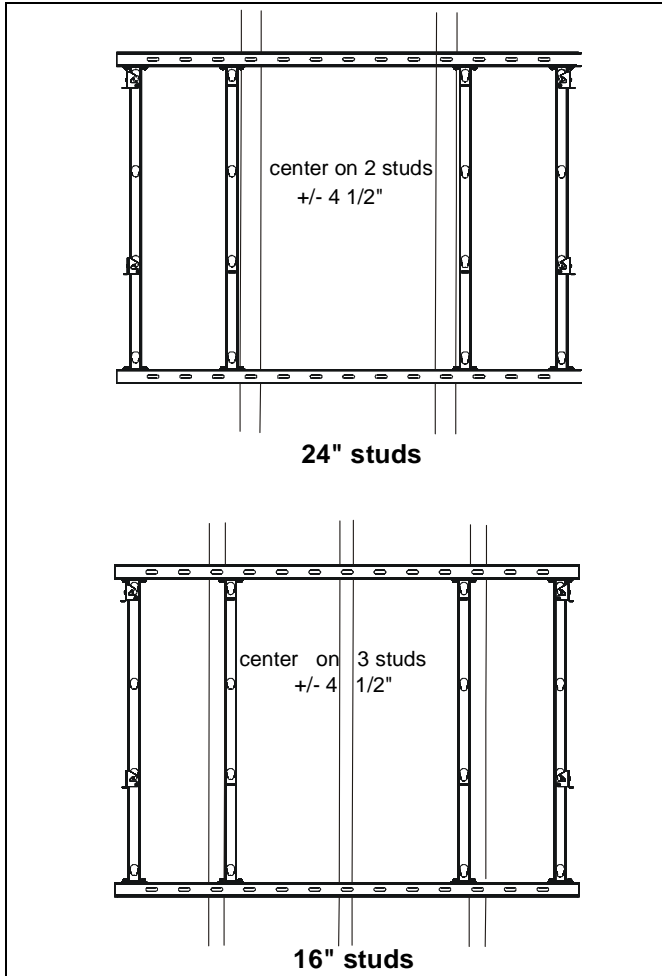
Figure 3

**Attach to Wall - Wood Studs**

**IMPORTANT ! :** The MSP-WM46UN2X2/WM463UN2X2 mount is designed to be mounted to 2" x 4" wood studs (24" or 16" on center).

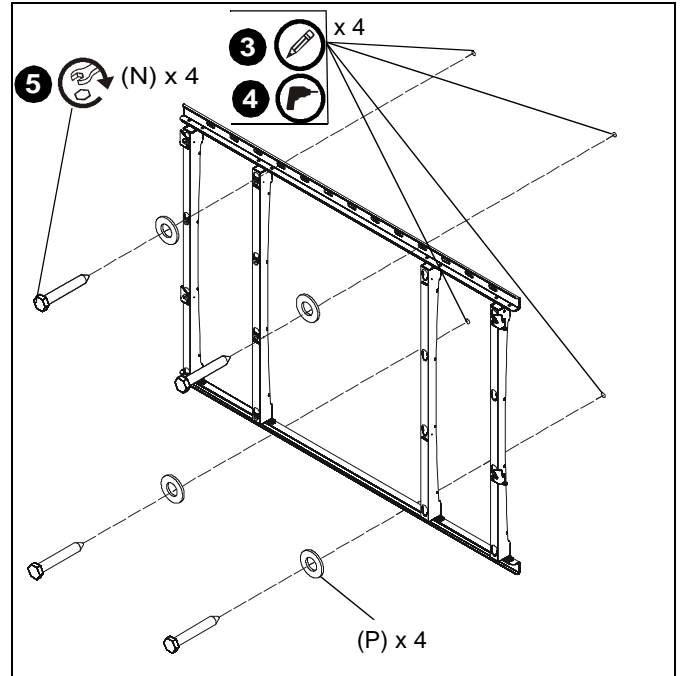
1. Determine mounting location on wall.
2. Determine mounting slots to be used for installation. (See Note below and Figure 4)

**NOTE:** If mounting to center of 24" studs, slots used must be centered +/- 4 1/2". For 16" studs, slots used must be centered over three studs +/- 4 1/2". (See Figure 4)



**Figure 4**

3. Using assembled mount as a template, mark four holes on wall. Use a level to make sure of an even mount. (See Figure 5)
4. Drill four 1/4" holes 2 1/2" deep in wall at marked locations. (See Figure 5)
5. Install four 3/8 x 2 1/2" hex head lag screws (N) through four 3/8" washers (P), holes on mount and into four drilled holes on wall. (See Figure 5)



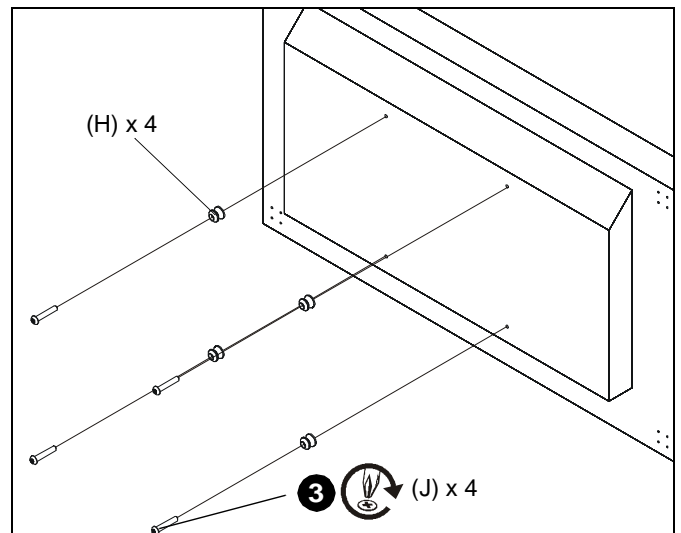
**Figure 5**

**Install Displays**



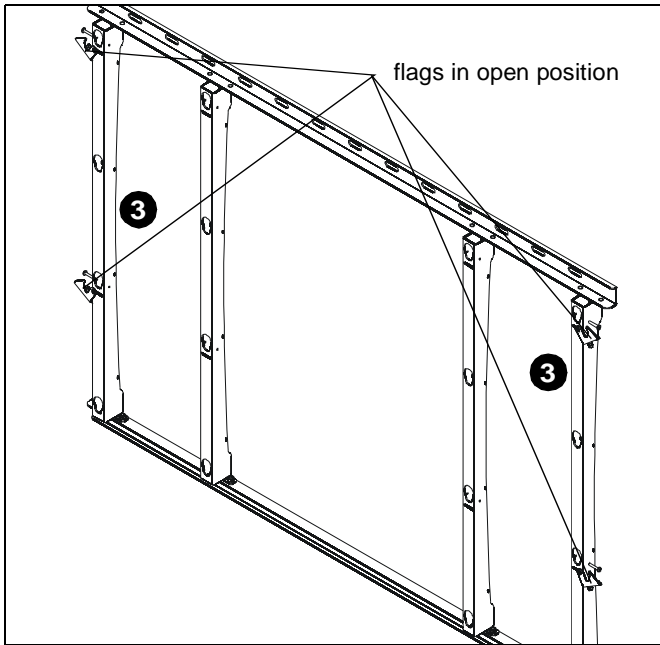
**WARNING:** Exceeding the weight capacity can result in serious personal injury or damage to equipment! It is the installer's responsibility to make sure the combined weight of all components attached to the MSP-WM46UN2X2/WM463UN2X2 mount does not exceed 280 lbs (127 kg). The weight of each individual display cannot exceed 70 lbs (31.75 kg).

1. Use four M6 x 25mm Phillips pan machine screws (J) to attach four mounting buttons (H) to center holes on back of display. (See Figure 6)
2. Repeat Step 1 for each display to be installed.



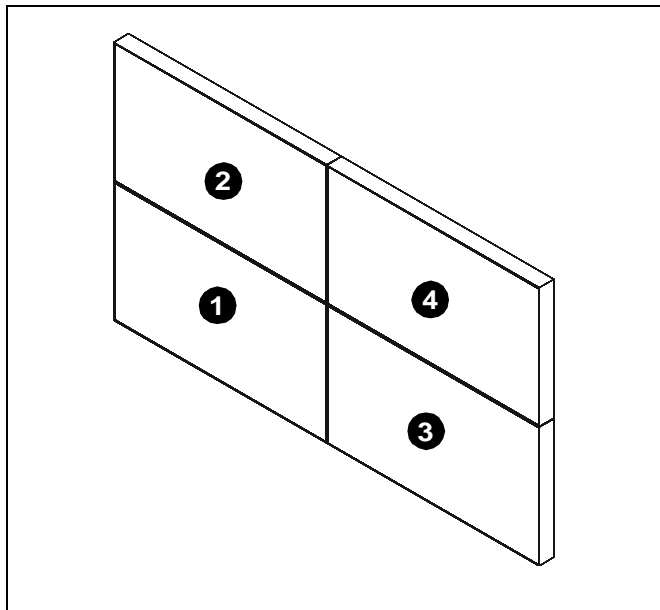
**Figure 6**

3. Make sure locking flags on mount are in open position. (See Figure 7)



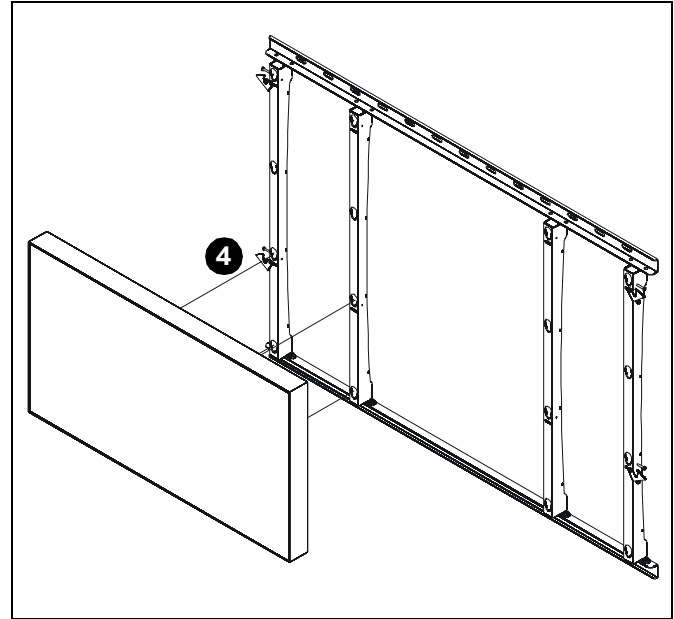
**Figure 7**

**IMPORTANT ! :** For proper installation, the four displays **MUST** be installed in the **EXACT ORDER** specified in these instructions and shown in Figure 8.



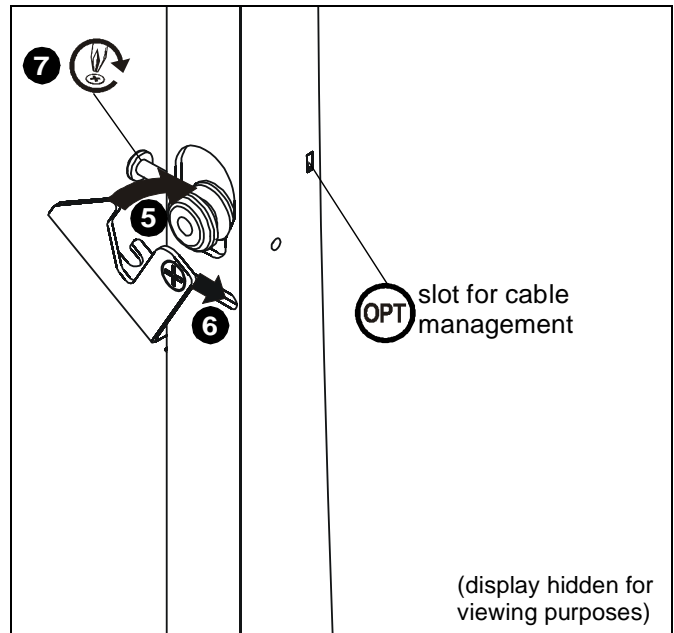
**Figure 8**

4. Lift display onto mount by inserting mounting buttons into teardrop openings on vertical mounting brackets. (See Figure 9)



**Figure 9**

5. Move locking flag to closed position by wrapping it around mounting button. (See Figure 10)
6. Slide flag towards center of the mount to secure flag around mounting button. (See Figure 10)
7. Tighten screw to push mounting button towards center of mount and further secure display to mount. (See Figure 10)



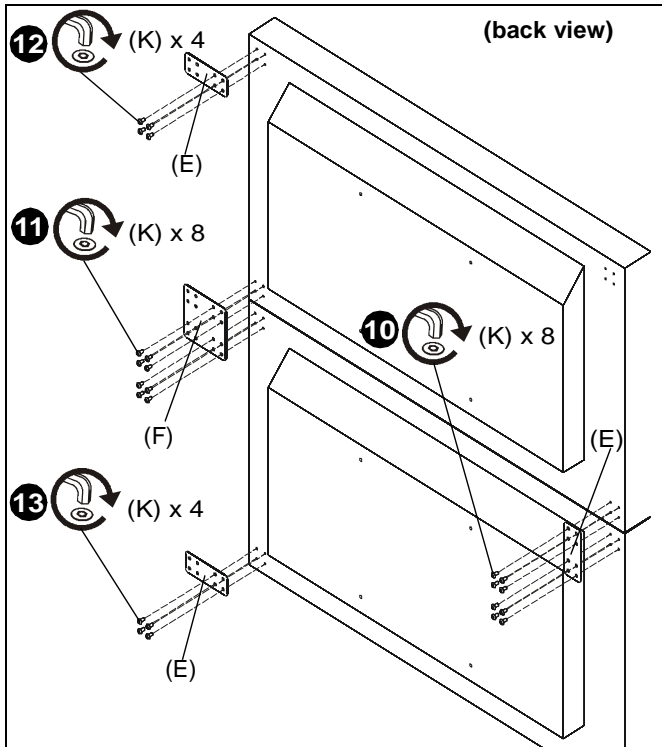
**Figure 10**

**NOTE:** Slots on vertical brackets can be used for cable management by using cable ties (G) to secure cables to brackets. (See Figure 10)

8. Repeat Steps 4 through 7 for top left display.

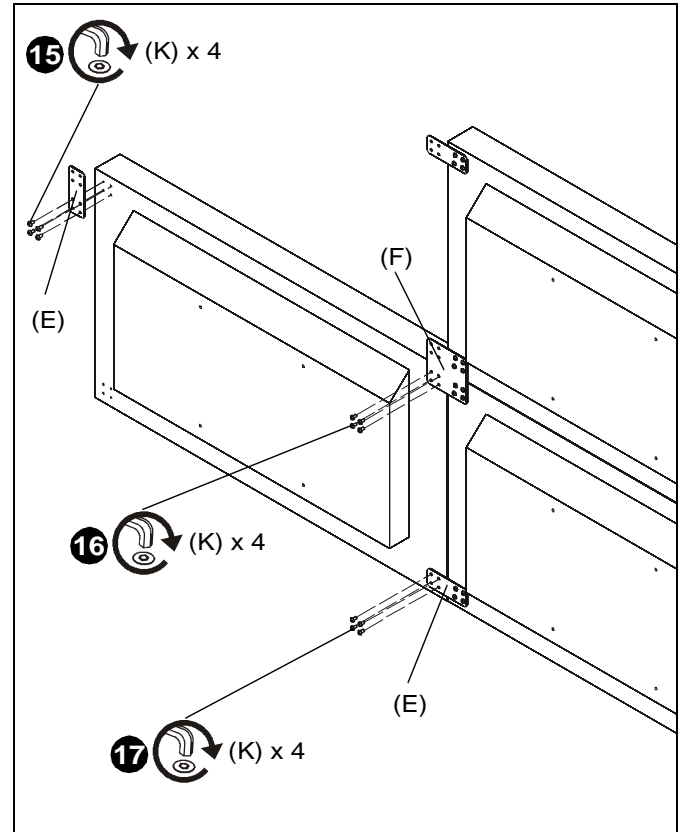


9. Place one edge attachment bracket (E) behind installed displays, lining up the eight holes with the four holes in the upper left corner of the bottom display and the lower left corner of the top display. (See Figure 11)
10. Install eight M4 x 8mm security screws (K) through edge attachment bracket (E) and into backs of displays. (See Figure 11)



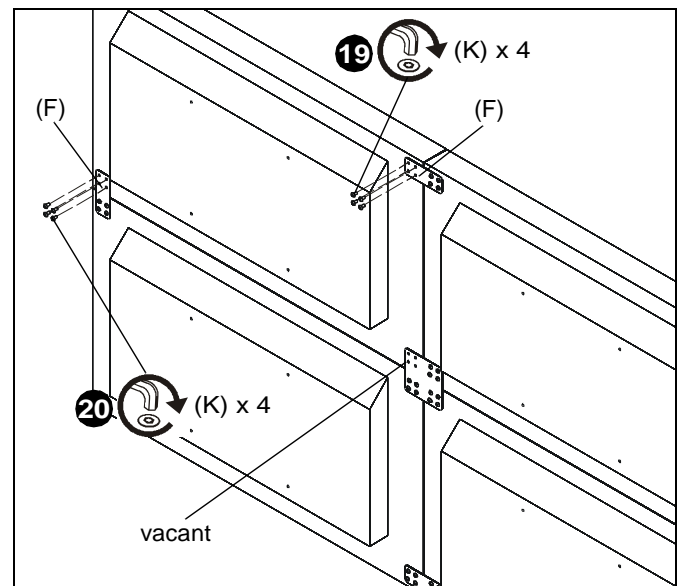
**Figure 11**

11. Install eight M4 x 8mm security screws (K) through holes of middle attachment bracket (F) and into lower right holes of upper display and upper right holes of lower display. (See Figure 11)
12. Install four M4 x 8mm security screws (K) through holes of edge attachment bracket (E) and into upper right holes of upper display. (See Figure 11)
13. Install four M4 x 8mm security screws (K) through holes of edge attachment bracket (E) and into lower right holes of lower display. (See Figure 11)
14. Repeat Steps 4 through 7 to install bottom right display.
15. Install four M4 x 8mm security screws (K) through holes of edge attachment bracket (E) and into upper right holes of lower right display. (See Figure 12)
16. Install four M4 x 8mm security screws (K) through holes of middle attachment bracket (F) and into upper left holes of lower right display. (See Figure 12)
17. Install four M4 x 8mm security screws (K) through holes of edge attachment bracket (E) and into lower left holes of lower right display. (See Figure 12)



**Figure 12**

18. Repeat Steps 4 through 7 to install top right display.
19. Install four M4 x 8mm security screws (K) through holes of edge attachment bracket (E) and into upper left holes of upper right display. (See Figure 13)
20. Install four M4 x 8mm security screws (K) through holes of edge attachment bracket (E) and into lower right holes of upper right display. (See Figure 13)



**Figure 13**







Our Mounts. **Your Vision.**

Chief, a products division of  
Milestone AV Technologies

8840-002001 Rev05

©2014 Milestone Technologies

[www.chiefmfg.com](http://www.chiefmfg.com)

01/14

<b>USA/International</b>	<b>A</b> 6436 City West Parkway, Eden Prairie, MN 55344
	<b>P</b> 800.582.6480 / 952.225.6000
	<b>F</b> 877.894.6918 / 952.894.6918
<b>Europe</b>	<b>A</b> Franklinstraat 14, 6003 DK Weert, Netherlands
	<b>P</b> +31 (0) 495 580 852
	<b>F</b> +31 (0) 495 580 845
<b>Asia Pacific</b>	<b>A</b> Office No. 1 on 12/F, Shatin Galleria 18-24 Shan Mei Street Fotan, Shatin, Hong Kong
	<b>P</b> 852 2145 4099
	<b>F</b> 852 2145 4477

