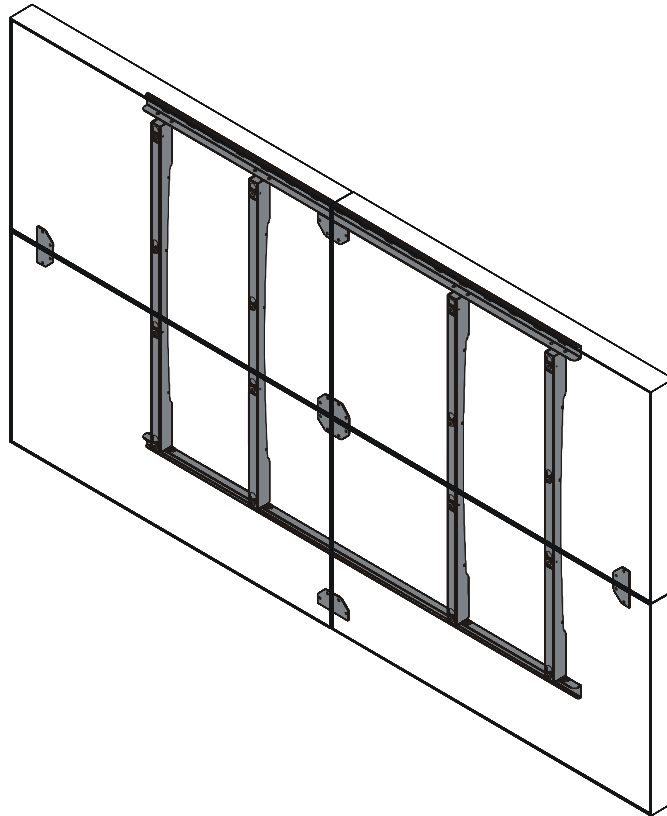

INSTALLATION INSTRUCTIONS




2 X 2 Array Wall Mount


DISCLAIMER


Milestone AV Technologies and its affiliated corporations and subsidiaries (collectively "Milestone"), intend to make this manual accurate and complete. However, Milestone makes no claim that the information contained herein covers all details, conditions or variations, nor does it provide for every possible contingency in connection with the installation or use of this product. The information contained in this document is subject to change without notice or obligation of any kind. Milestone makes no representation of warranty, expressed or implied, regarding the information contained herein. Milestone assumes no responsibility for accuracy, completeness or sufficiency of the information contained in this document.


Chief® is a registered trademark of Milestone AV Technologies. All rights reserved.


IMPORTANT SAFETY INSTRUCTIONS!


 **WARNING:** A WARNING alerts you to the possibility of serious injury or death if you do not follow the instructions.


 **CAUTION:** A CAUTION alerts you to the possibility of damage or destruction of equipment if you do not follow the corresponding instructions.


 **WARNING:** Failure to read, thoroughly understand, and follow all instructions can result in serious personal injury, damage to equipment, or voiding of factory warranty! It is the installer's responsibility to make sure all components are properly assembled and installed using the instructions provided.

 **WARNING:** Failure to provide adequate structural strength for this component can result in serious personal injury or damage to equipment! It is the installer's responsibility to make sure the structure to which this component is attached can support a minimum of five times the weight of the mount and displays being mounted. Reinforce the structure as required before installing the component. The wall to which the mount is being attached may have a maximum drywall thickness of 5/8" (1.6cm).

 **WARNING:** Exceeding the weight capacity can result in serious personal injury or damage to equipment! It is the installer's responsibility to make sure the combined weight of all components attached to the MSP-WM55UN2X2 mount does not exceed 340 lbs (154.2 kg). The weight of each individual display cannot exceed 80 lbs (36.28 kg).

 **WARNING:** Use this mounting system only for its intended use as described in these instructions. Do not use attachments not recommended by the manufacturer.

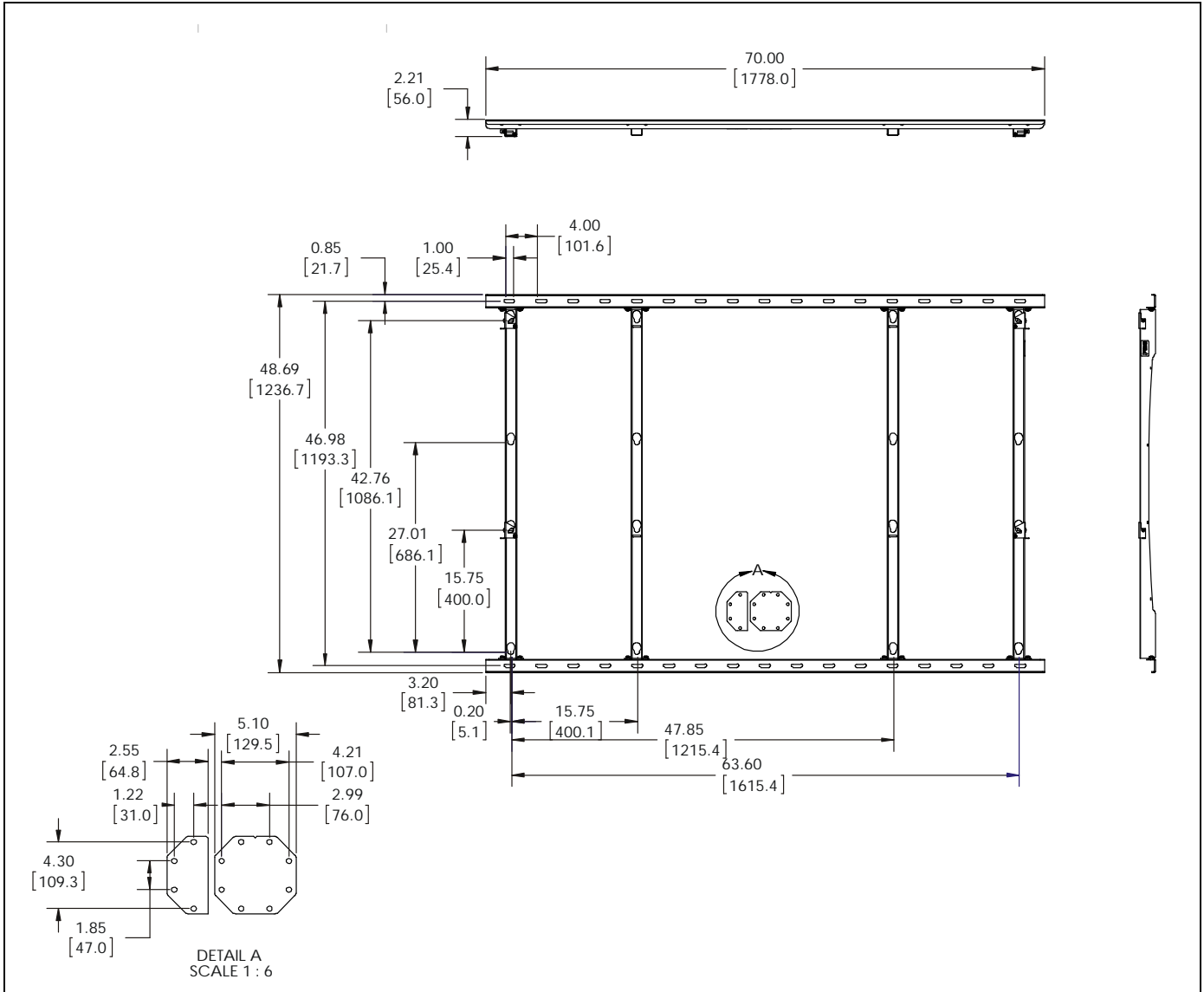
 **WARNING:** Never operate this mounting system if it is damaged. Return the mounting system to a service center for examination and repair.

 **WARNING:** Do not use this product outdoors.

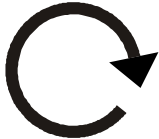

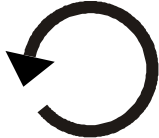









IMPORTANT ! : The MSP-WM55UN2X2 mount is designed to be mounted to an 8" concrete, 8"x8"x16" concrete block, clay brick, or 2" x 4" wood studs (24" or 16" on center).

--SAVE THESE INSTRUCTIONS--

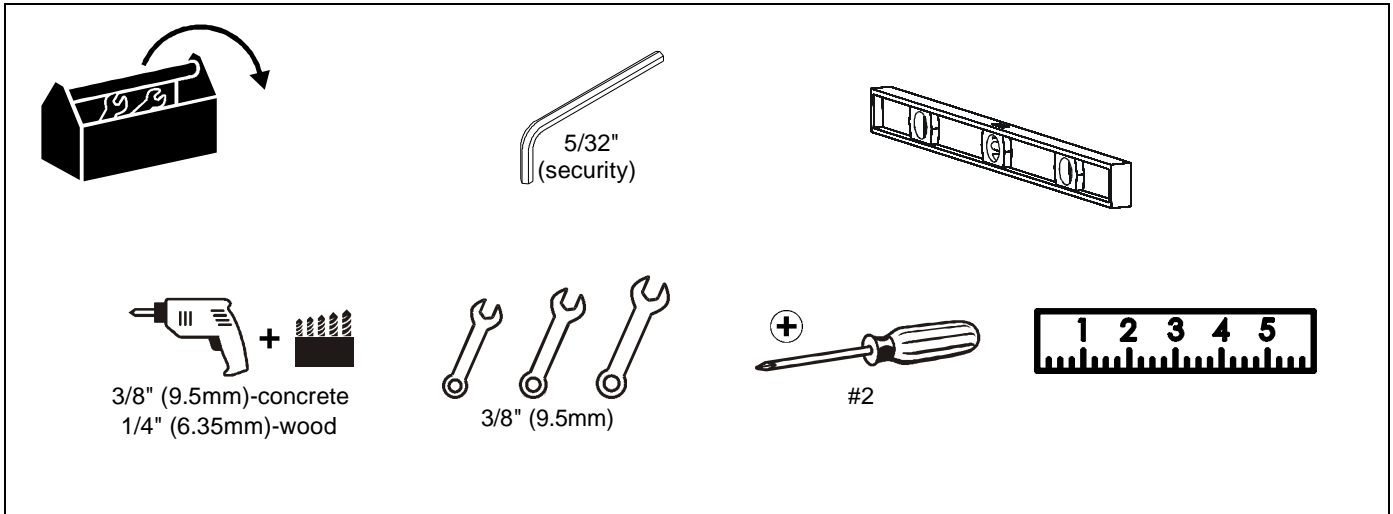
DIMENSIONS



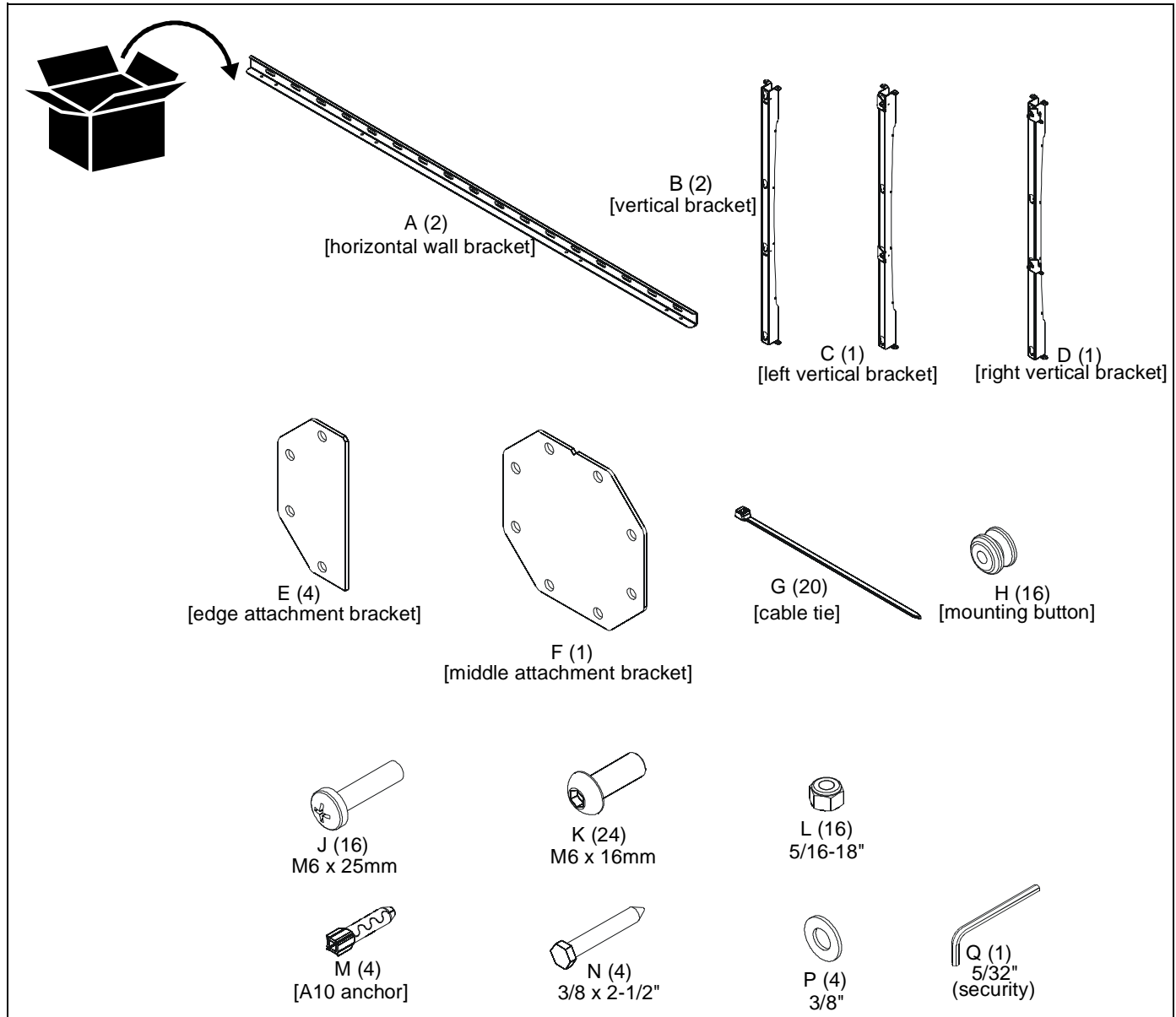
LEGEND

	Tighten Fastener Apretar elemento de fijación Befestigungsteil festziehen Apertar fixador Serrare il fissaggio Bevestiging vastdraaien Serrez les fixations		Pencil Mark Marcar con lápiz Stiftmarkierung Marcar com lápis Segno a matita Potloodmerkteken Marquage au crayon
	Loosen Fastener Aflojar elemento de fijación Befestigungsteil lösen Desapertar fixador Allentare il fissaggio Bevestiging losdraaien Desserrez les fixations		Drill Hole Perforar Bohrloch Fazer furo Praticare un foro Gat boren Percez un trou
	Phillips Screwdriver Destornillador Phillips Kreuzschlitzschraubendreher Chave de fendas Phillips Cacciavite a stella Kruiskopschroevendraaier Tournevis à pointe cruciforme		Adjust Ajustar Einstellen Ajustar Regolare Afstellen Ajuster
	Open-Ended Wrench Llave de boca Gabelschlüssel Chave de bocas Chiave a punte aperte Steeksleutel Clé à fourche		Remove Quitar Entfernen Remover Rimuovere Verwijderen Retirez
	By Hand A mano Von Hand Com a mão A mano Met de hand À la main		Optional Opcional Optional Opcional Opzionale Optie En option
	Hex-Head Wrench Llave de cabeza hexagonal Sechskantschlüssel Chave de cabeça sextavada Chiave esagonale Zeskantsleutel Clé à tête hexagonale		Security Wrench Llave de seguridad Sicherheitsschlüssel Chave de segurança Chiave di sicurezza Veiligheidsleutel Clé de sécurité

TOOLS REQUIRED FOR INSTALLATION



PARTS



ASSEMBLY AND INSTALLATION

Mount Assembly

1. Arrange four vertical brackets (B-D) with two horizontal brackets (A) making sure the right vertical bracket (C) is on the far right and the left vertical bracket (D) is on the far left. (See Figure 1)
2. Use 16 5/16-18" lock nuts (L) to attach vertical brackets to horizontal brackets. (See Figure 1)

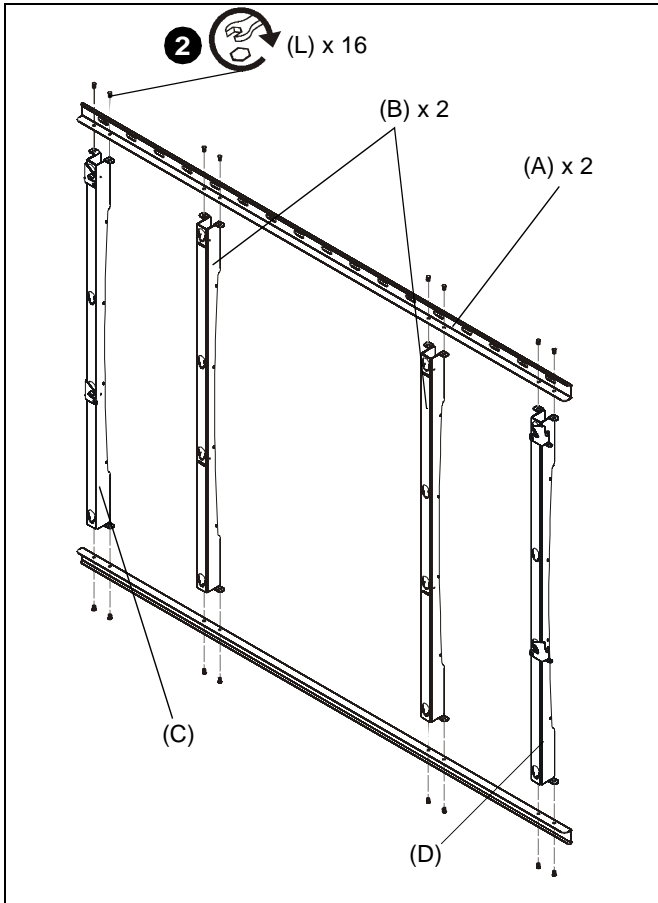


Figure 1

Attach Mount to Wall - Concrete

NOTE: If attaching to wood studs, proceed to Attach Mount to Wall - Wood Studs section.

IMPORTANT ! : The MSP-WM55UN2X2 mount is designed to be mounted to an 8" concrete wall, 8"x8"x16" concrete block or clay brick.

1. Determine mounting location on wall.
2. Determine mounting slots to be used for installation. (See Note below and Figure 2)

NOTE: Slots used must be at least 24" apart. Mount must be centered on anchors +/- 4 1/2". (See Figure 2)

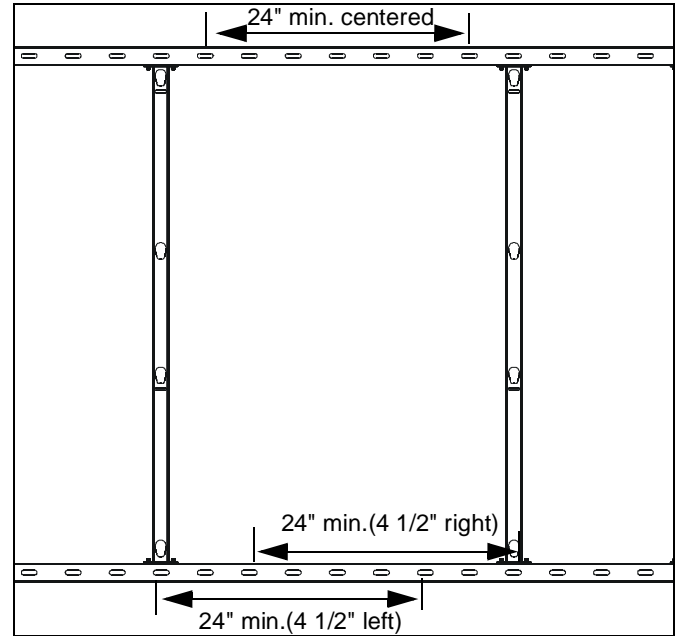


Figure 2

3. Using assembled mount as a template, mark four holes in selected mounting holes on wall. Use a level to make sure of an even mount. (See Figure 3)
4. Drill four 3/8" holes in wall 3 1/2" deep at marked locations. (See Figure 3)
5. Install four concrete anchors (M) into four drilled holes on wall. (See Figure 3)
6. Install four 3/8 x 2 1/2" hex head lag screws (N) through four 3/8" washers (P), holes on mount and into four concrete anchors. (See Figure 3)

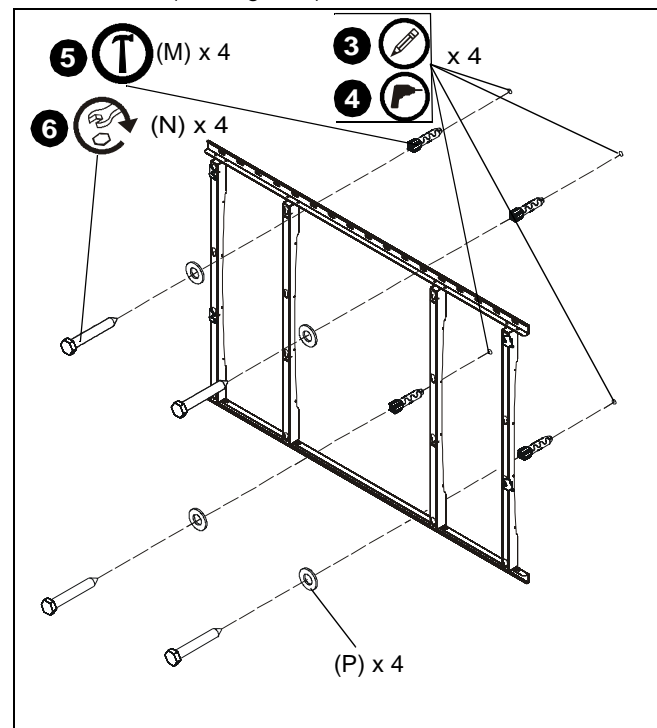


Figure 3

Attach to Wall - Wood Studs

IMPORTANT ! : The MSP-WM55UN2X2 mount is designed to be mounted to 2" x 4" wood studs (24" or 16" on center).

1. Determine mounting location on wall.
2. Determine mounting slots to be used for installation. (See Note below and Figure 4)

NOTE: If mounting to center of 24" studs, slots used must be centered +/- 4 1/2". For 16" studs, slots used must be centered over three studs +/- 4 1/2". (See Figure 4)

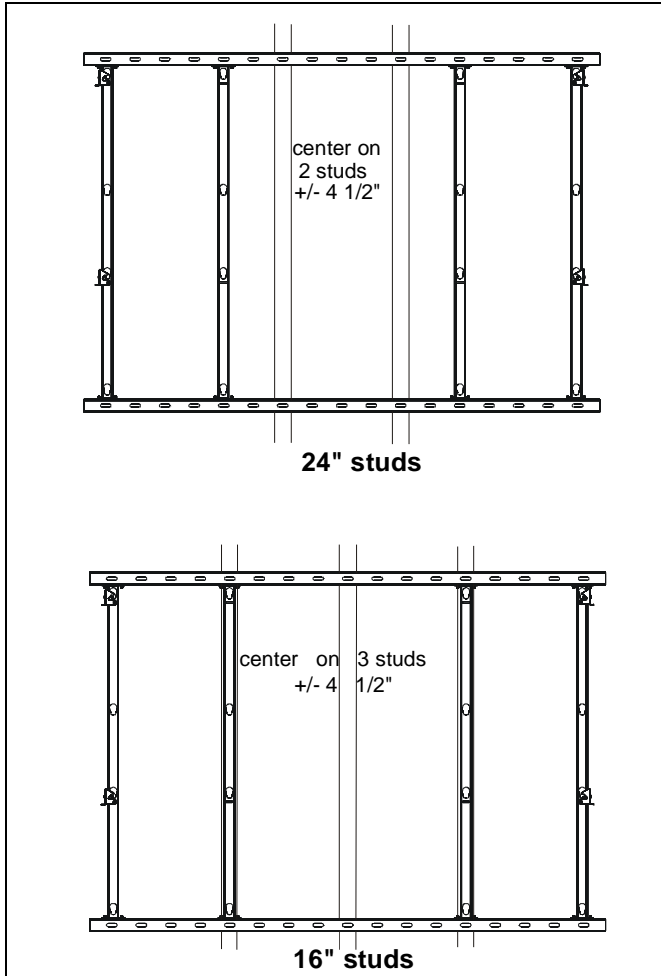


Figure 4

3. Using assembled mount as a template, mark four holes on wall. Use a level to make sure of an even mount. (See Figure 5)
4. Drill four 1/4" holes 2 1/2" deep in wall at marked locations. (See Figure 5)
5. Install four 3/8 x 2 1/2" hex head lag screws (N) through four 3/8" washers (P), holes on mount and into four drilled holes on wall. (See Figure 5)

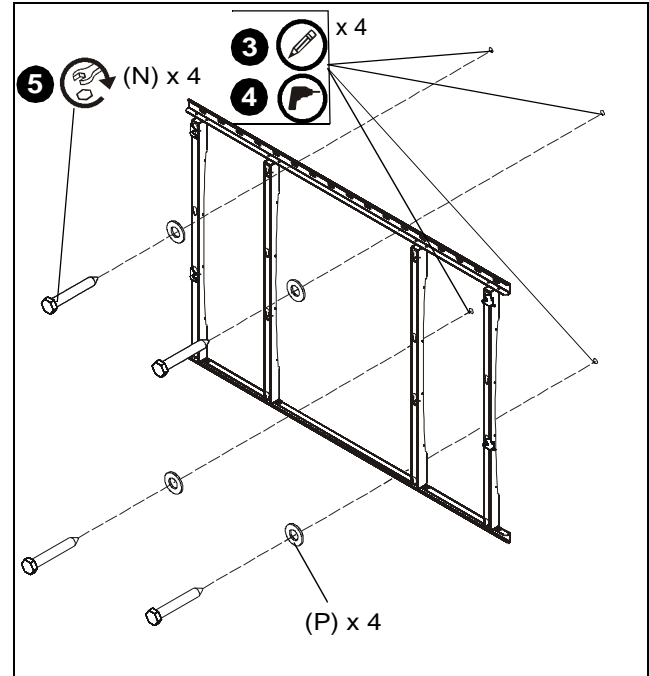


Figure 5

Install Displays



WARNING: Exceeding the weight capacity can result in serious personal injury or damage to equipment! It is the installer's responsibility to make sure the combined weight of all components attached to the MSP-WM55UN2X2 mount does not exceed 340 lbs (154.2 kg). The weight of each individual display cannot exceed 80 lbs (36.28 kg).

1. Use four M6 x 25mm Phillips pan machine screws (J) to attach four mounting buttons (H) to center holes on back of display. (See Figure 6)
2. Repeat Step 1 for each display to be installed.

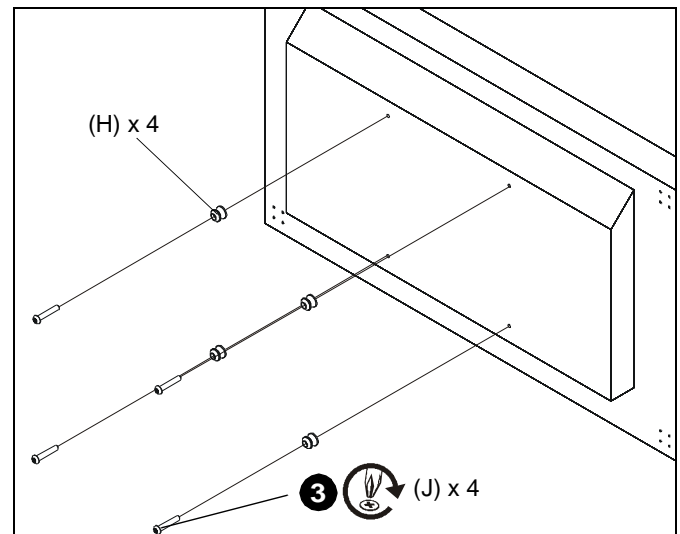


Figure 6

3. Make sure locking flags on mount are in open position. (See Figure 7)

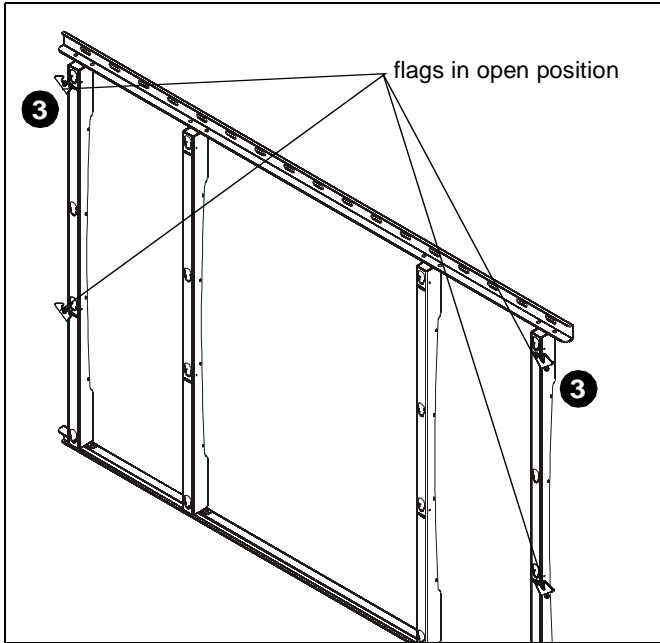


Figure 7

IMPORTANT ! : For proper installation, the four displays MUST be installed in the EXACT ORDER specified in these instructions and shown in Figure 8.

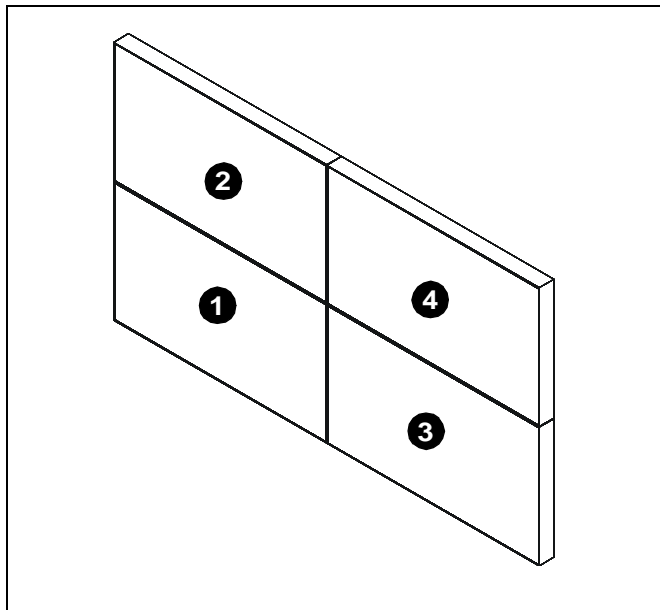


Figure 8

4. Lift display onto mount by inserting mounting buttons into teardrop openings on vertical mounting brackets. (See Figure 9)

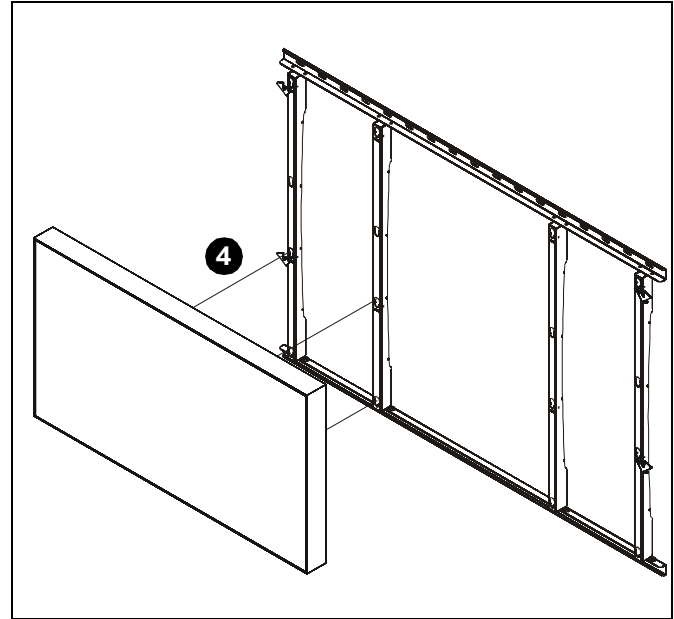


Figure 9

5. Move locking flag to closed position by wrapping it around mounting button. (See Figure 10)
6. Slide flag towards center of the mount to secure flag around mounting button. (See Figure 10)
7. Tighten screw to push mounting button towards center of mount and further secure display to mount. (See Figure 10)

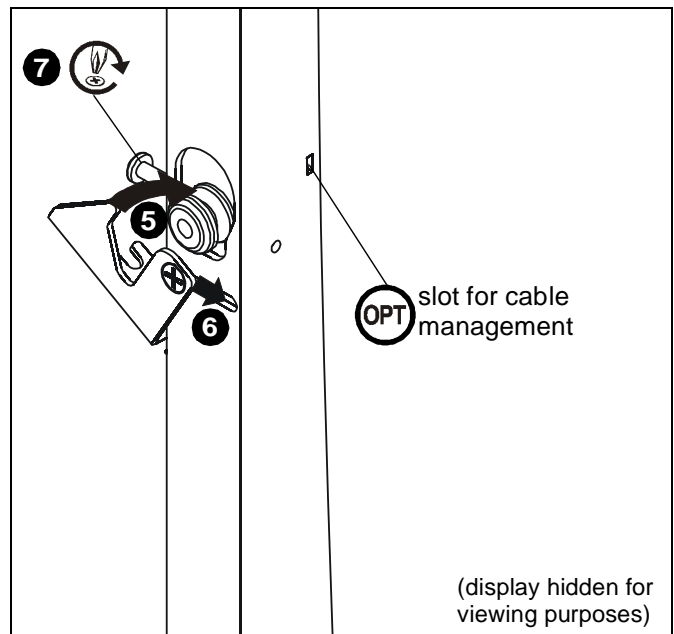


Figure 10

NOTE: Slots on vertical brackets can be used for cable management by using cable ties (G) to secure cables to brackets. (See Figure 10)

8. Repeat Steps 4 through 7 for top left display.

9. Place one edge attachment bracket (E) behind installed displays, lining up the eight holes with the four holes in the upper left corner of the bottom display and the lower left corner of the top display. (See Figure 11)
10. Install four M4 x 16mm security screws (K) through edge attachment bracket (E) and into backs of displays. (See Figure 11)

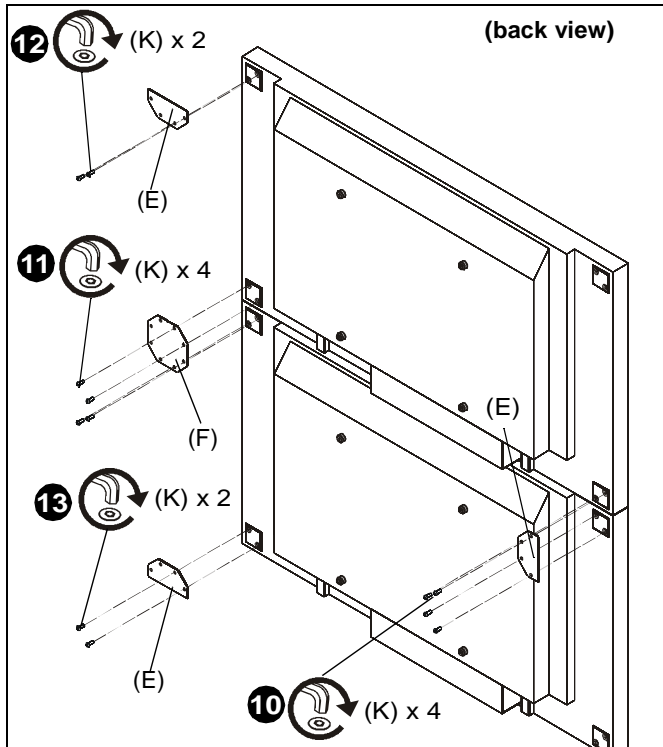


Figure 11

11. Install four M4 x 16mm security screws (K) through holes of middle attachment bracket (F) and into lower right holes of upper display and upper right holes of lower display. (See Figure 11)
12. Install two M4 x 16mm security screws (K) through holes of edge attachment bracket (E) and into upper right holes of upper display. (See Figure 11)
13. Install two M4 x 16mm security screws (K) through holes of edge attachment bracket (E) and into lower right holes of lower display. (See Figure 11)
14. Repeat Steps 4 through 7 to install bottom right display.
15. Install two M4 x 16mm security screws (K) through holes of edge attachment bracket (E) and into upper right holes of lower right display. (See Figure 12)
16. Install two M4 x 16mm security screws (K) through holes of middle attachment bracket (F) and into upper left holes of lower right display. (See Figure 12)
17. Install two M4 x 16mm security screws (K) through holes of edge attachment bracket (E) and into lower left holes of lower right display. (See Figure 12)

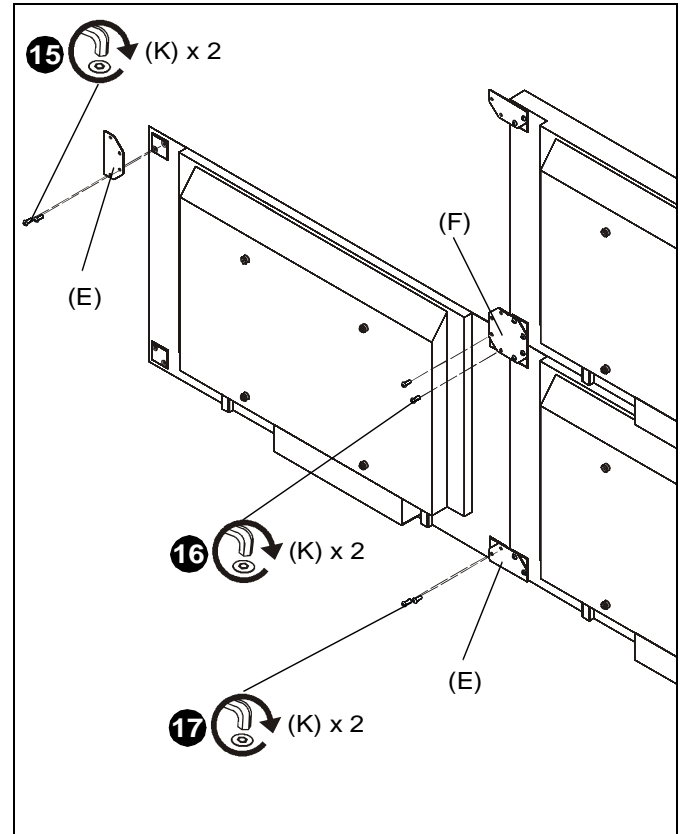


Figure 12

18. Repeat Steps 4 through 7 to install top right display.
19. Install two M4 x 16mm security screws (K) through holes of edge attachment bracket (E) and into upper left holes of upper right display. (See Figure 13)
20. Install two M4 x 16mm security screws (K) through holes of edge attachment bracket (E) and into lower right holes of upper right display. (See Figure 13)

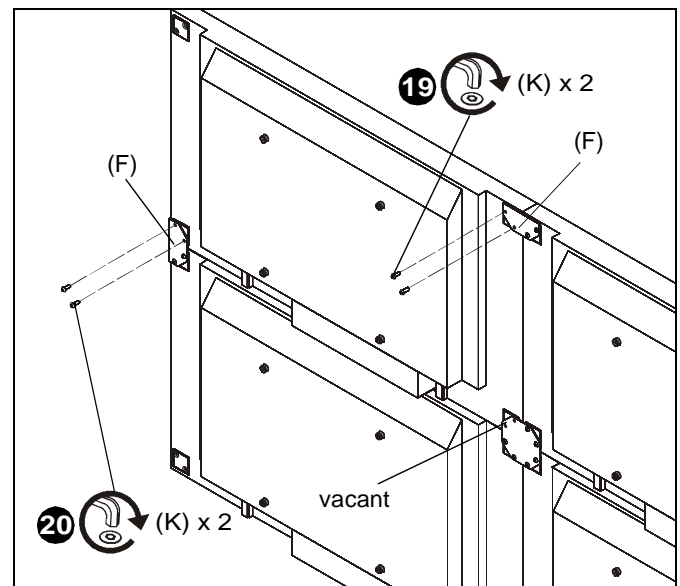


Figure 13



Our Mounts. **Your Vision.**

Chief Manufacturing, a products division
of Milestone AV Technologies

8800-002143 Rev00

©2012 Milestone Technologies, a
Duchossois Group Company

www.chiefmfg.com

01/12

USA/International

A 8401 Eagle Creek Parkway, Savage, MN 55378

P 800.582.6480 / 952.894.6280

F 877.894.6918 / 952.894.6918

Europe

A Fellenoord 130 5611 ZB EINDHOVEN, The Netherlands

P +31 (0)40 2668620

F +31 (0)40 2668615

Asia Pacific

A Office No. 1 on 12/F, Shatin Galleria
18-24 Shan Mei Street

Fotan, Shatin, Hong Kong

P 852 2145 4099

F 852 2145 4477

