



# INSTALLATION INSTRUCTIONS

## MSP-WMPSB1

### DISPLAY INTERFACE BRACKET

Prior to assembly, unpack carton completely and verify contents.  
If you are missing any of the following components, please contact Customer Service at 1-800-582-6480

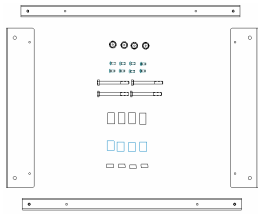


Figure 1

- (2) Side Bracket
- (4) Mounting Button - Tapped
- (4) M8 x 80mm Hex Head Cap Screw
- (4) .74 x .39 x 1.0 Nylon Spacer (White)

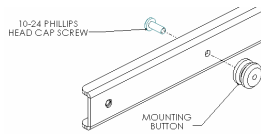


Figure 2

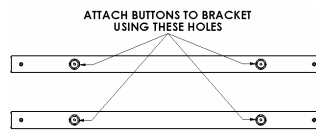


Figure 3

- (2) Top/Bottom Bracket
- (8) 10-24 x .5 Phillips Head Cap Screw
- (4) 18mm x 8.3mm x 30mm Nylon Spacer (Black)
- (4) 18mm x 8.3mm x 10mm Nylon Spacer (Black)

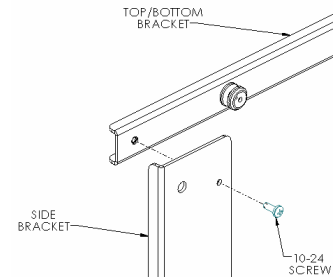


Figure 4

BEFORE PROCEEDING, READ INSTALLATION INSTRUCTIONS COMPLETELY

## CAUTION!

**DISPLAYS ARE EXTREMELY FRAGILE.**

1. Using a 10-24 phillips head cap screw inserted from back side of bracket, secure mounting button, with chamfered hole of mounting button (larger surface) facing bracket, to top and bottom brackets (four places) (see Figure 2 & Figure 3).
2. Using four 10-24 phillips head cap screws, attach top and bottom to side brackets (see Figure 4 & Figure 5).
3. Stack 10mm (black), 30mm (black) and 1" (white) spacers over each mounting hole on back of screen (total of 4). Attach mounting brackets to display using the M8 screws (see Figure 6 & Figure 7).
4. With the aid of another person, lift your display up to the Chief Mount, aligning buttons of mounting brackets with slots in the Chief Mount.
5. Lower safety latch on the Chief Mount to secure your display, making sure latch is completely engaged.

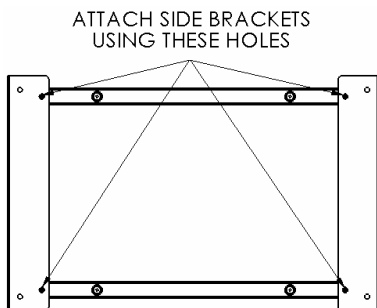


Figure 5

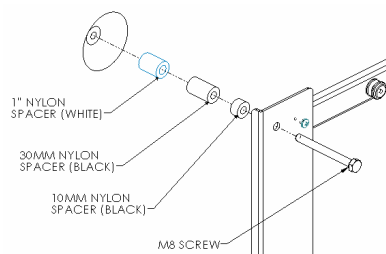


Figure 6

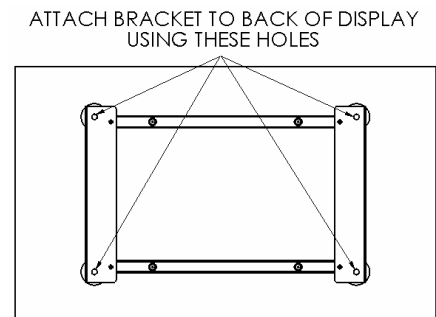


Figure 7