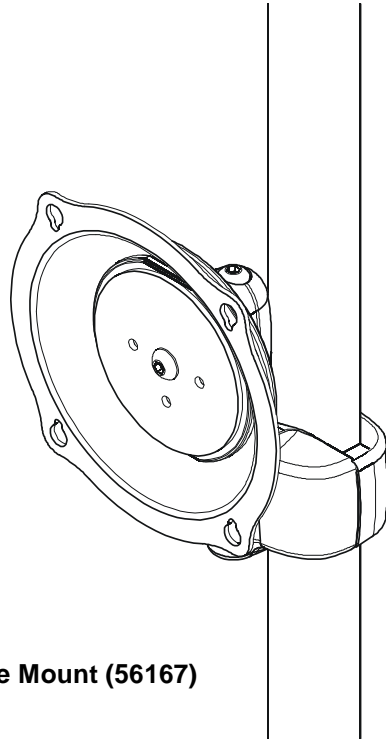

INSTALLATION INSTRUCTIONS



Pole Mount (56167)

Medium Pole Mounts

DISCLAIMER

Winsted Control Room Consoles and its affiliated corporations and subsidiaries (collectively "Winsted"), intend to make this manual accurate and complete. However, Winsted makes no claim that the information contained herein covers all details, conditions or variations, nor does it provide for every possible contingency in connection with the installation or use of this product. The information contained in this document is subject to change without notice or obligation of any kind. Winsted makes no representation of warranty, expressed or implied, regarding the information contained herein. Winsted assumes no responsibility for accuracy, completeness or sufficiency of the information contained in this document.

Winsted® is a registered trademark of Winsted Control Room Consoles. All rights reserved.



WARNING: Exceeding the weight capacity can result in serious personal injury or damage to equipment! It is the installer's responsibility to make sure the combined weight of all components located attached to the pole mount up to (and including) the display does not exceed 75 lbs (34.02 kg). Use with products heavier than the maximum weight indicated may result in collapse of the mount and its accessories causing possible injury.

--SAVE THESE INSTRUCTIONS!--



IMPORTANT SAFETY INSTRUCTIONS!



WARNING: A WARNING alerts you to the possibility of serious injury or death if you do not follow the instructions.



CAUTION: A CAUTION alerts you to the possibility of damage or destruction of equipment if you do not follow the corresponding instructions.



WARNING: Failure to read, thoroughly understand, and follow all instructions can result in serious personal injury, damage to equipment, or voiding of factory warranty! It is the installer's responsibility to make sure all components are properly assembled and installed using the instructions provided.



WARNING: Failure to provide adequate structural strength for this component can result in serious personal injury or damage to equipment! It is the installer's responsibility to make sure the structure to which this component is attached can support five times the combined weight of all equipment. Reinforce the structure as required before installing the component.



WARNING: Use this mounting system only for its intended use as described in these instructions. Do not use attachments not recommended by the manufacturer.

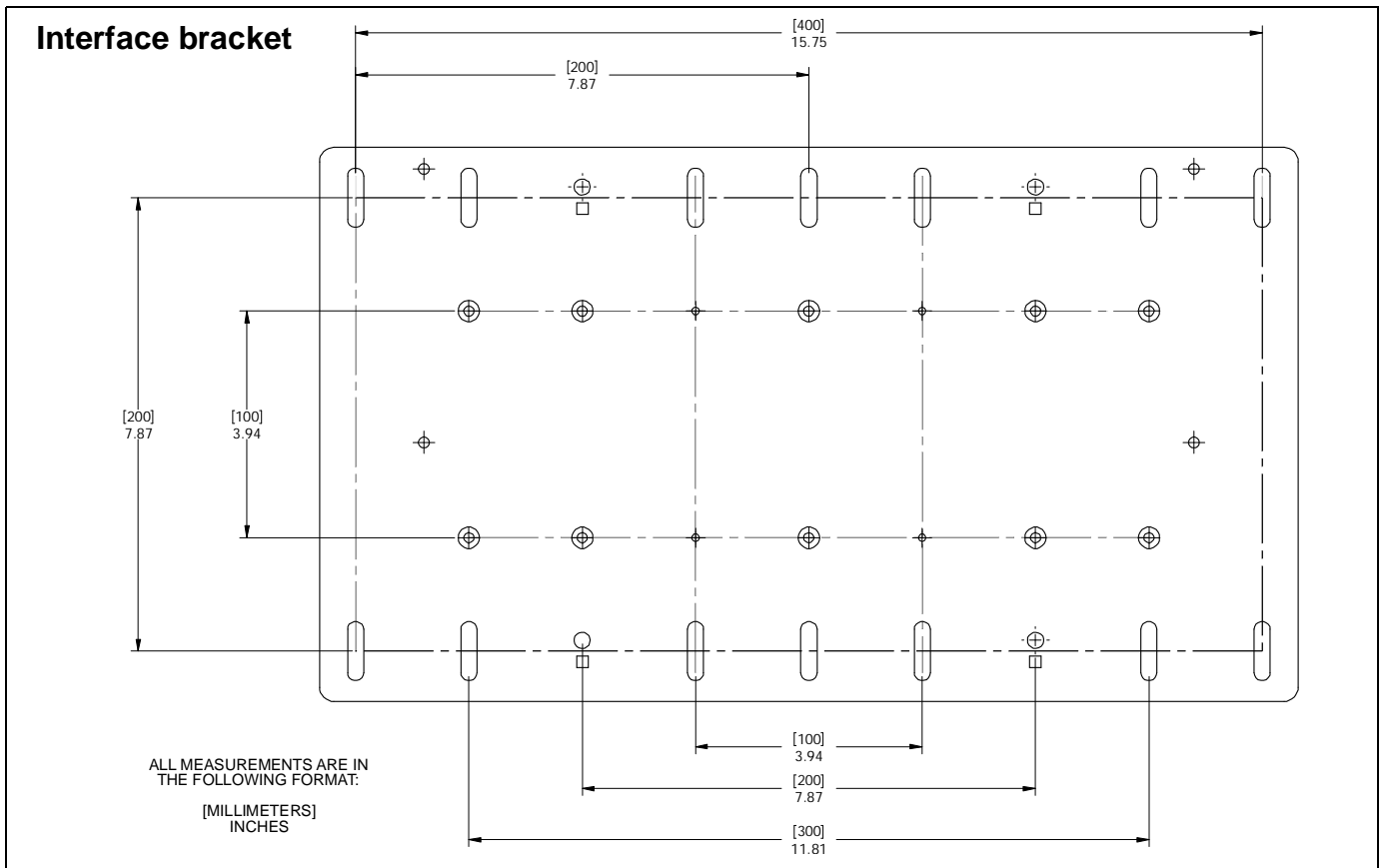
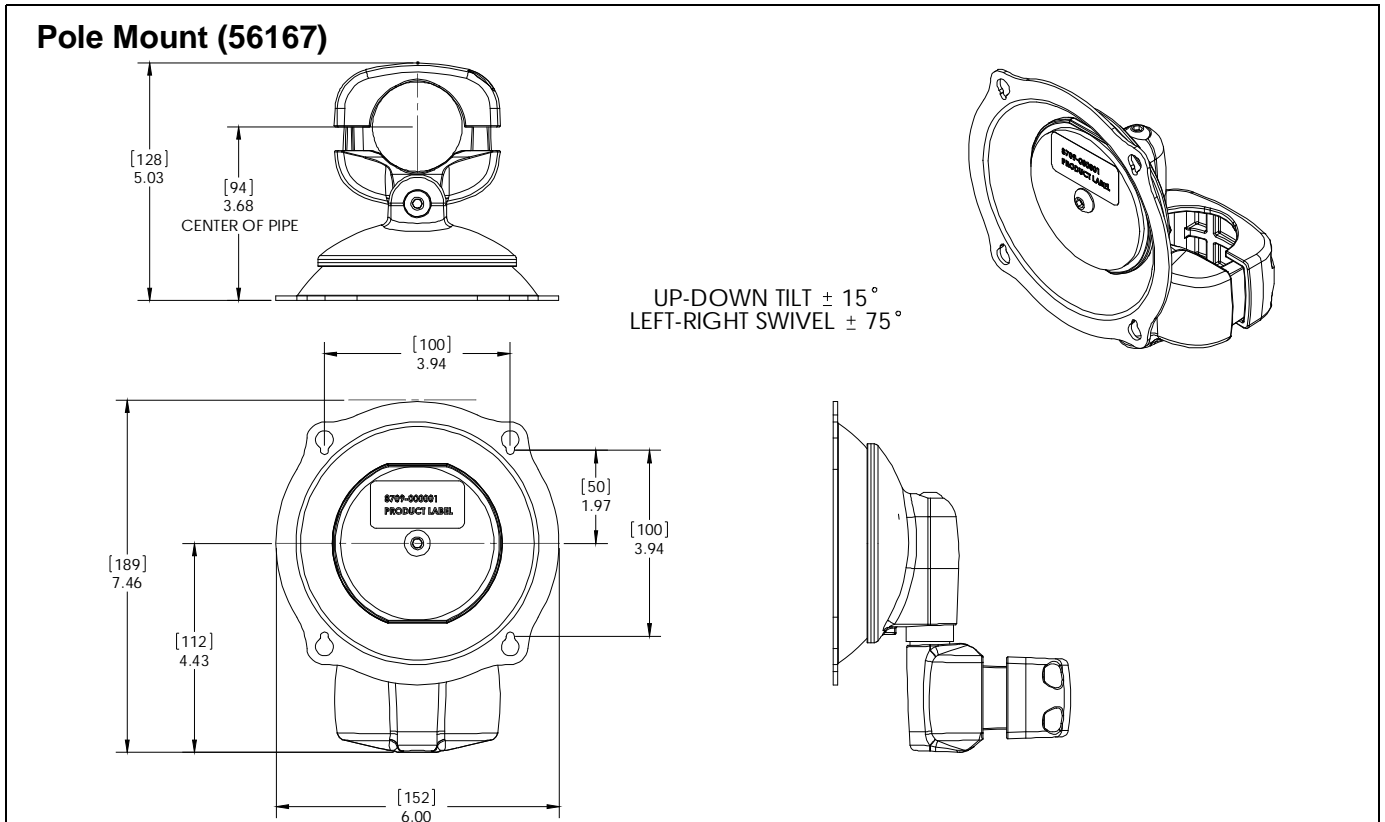


WARNING: Never operate this mounting system if it is damaged. Return the mounting system to a service center for examination and repair.

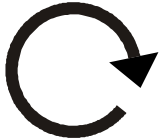

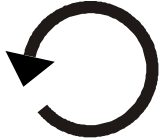










WARNING: Do not use this product outdoors.

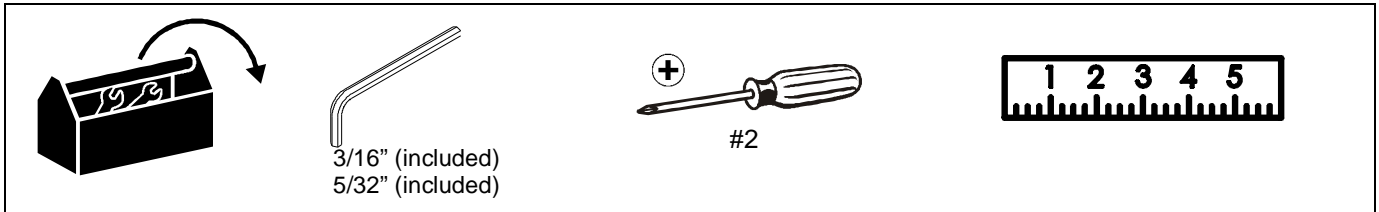
DIMENSIONS



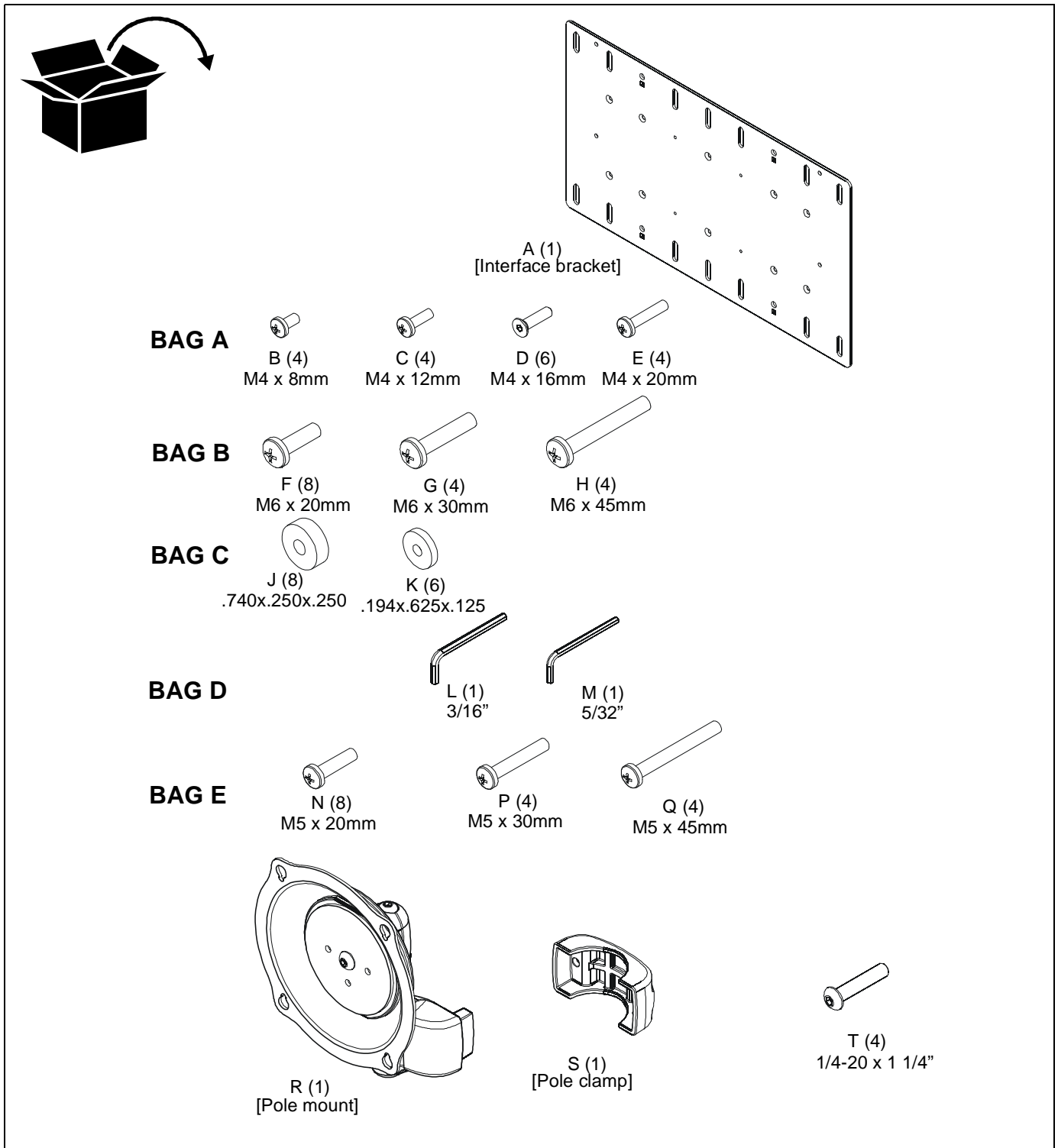
LEGEND

	Tighten Fastener Apretar elemento de fijación Befestigungsteil festziehen Apertar fixador Serrare il fissaggio Bevestiging vastdraaien Serrez les fixations		Pencil Mark Marcar con lápiz Stiftmarkierung Marcar com lápis Segno a matita Potloodmerkteken Marquage au crayon
	Loosen Fastener Aflojar elemento de fijación Befestigungsteil lösen Desapertar fixador Allentare il fissaggio Bevestiging losdraaien Desserrez les fixations		Drill Hole Perforar Bohrloch Fazer furo Praticare un foro Gat boren Percez un trou
	Phillips Screwdriver Destornillador Phillips Kreuzschlitzschraubendreher Chave de fendas Phillips Cacciavite a stella Kruiskopschroevendraaier Tournevis à pointe cruciforme		Adjust Ajustar Einstellen Ajustar Regolare Afstellen Ajuster
	Open-Ended Wrench Llave de boca Gabelschlüssel Chave de bocas Chiave a punte aperte Steeksleutel Clé à fourche		Remove Quitar Entfernen Remover Rimuovere Verwijderen Retirez
	By Hand A mano Von Hand Com a mão A mano Met de hand À la main		Optional Opcional Optional Opcional Opzionale Optie En option
	Hex-Head Wrench Llave de cabeza hexagonal Sechskantschlüssel Chave de cabeça sextavada Chiave esagonale Zeskantsleutel Clé à tête hexagonale		Security Wrench Llave de seguridad Sicherheitsschlüssel Chave de segurança Chiave di sicurezza Veiligheidsleutel Clé de sécurité

TOOLS REQUIRED FOR INSTALLATION



PARTS



Assembly And Installation

Connecting to Pole (56167)

IMPORTANT ! : The following installation instructions assume that a 1-1/2" NPT pipe has been properly installed and is in place.

1. Determine approximate location for mount keeping in mind display size, extension, height adjustment (if applicable), and pitch/roll requirements.
2. Place pole mount (R) against pole, with pole clamp (S) on opposite side of pole (See Figure 1). Using 5/32" hex key (M), loosely assemble with three 1/4-20 x 1-1/4" button head cap screws (T).

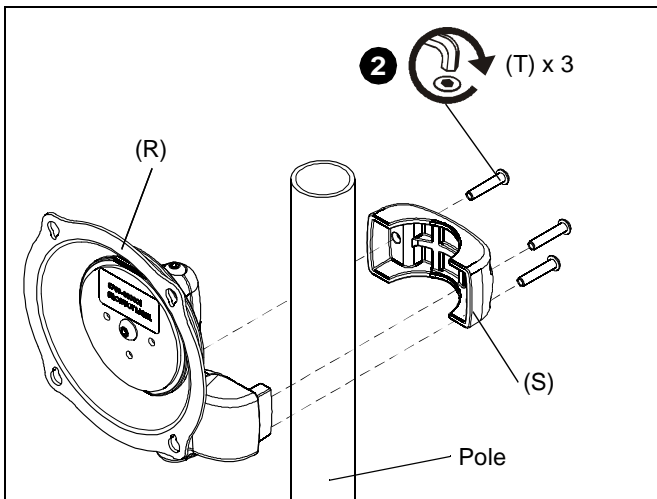


Figure 1

NOTE: Equally tighten screws (T) against pole clamp (S) and pole mount (R). (See Figure 2)

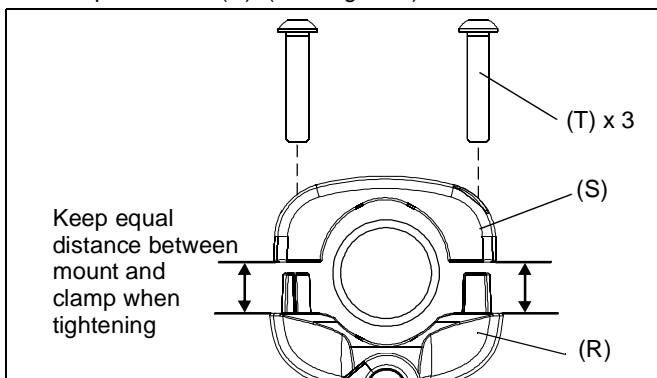


Figure 2

3. Position mount at desired height and orientation. Tighten screws (T) securely.

Display Installation

NOTE: If the display being installed has a 100x100 VESA mounting pattern, no interface bracket is required and the display can be mounted directly to the Centris cup as outlined in this section.

IMPORTANT ! : If the display being installed requires an interface bracket, proceed to the Interface Bracket Installation section.

1. Determine mounting pattern on display.



WARNING: IMPROPER INSTALLATION CAN LEAD TO EQUIPMENT FALLING CAUSING SERIOUS PERSONAL INJURY AND DAMAGE TO EQUIPMENT! DO NOT substitute hardware. Use only hardware supplied by manufacturer!



WARNING: IMPROPER INSTALLATION CAN LEAD TO ELECTRIC SHOCK OR DAMAGE TO EQUIPMENT! Screw length must not exceed the depth of threaded mounting insert in display.



WARNING: OVERTIGHTENING OF SCREWS CAN DAMAGE PARTS AND LEAD TO SERIOUS PERSONAL INJURY AND DAMAGE TO EQUIPMENT! DO NOT over tighten screws when installing interface bracket.



WARNING: IMPROPER INSTALLATION CAN LEAD TO DISPLAY FALLING CAUSING SERIOUS PERSONAL INJURY OR DAMAGE TO EQUIPMENT! Using screws of improper size may damage your display! Proper screws will easily and completely thread into display mounting holes. Ensure that screws are not too long.



WARNING: IMPROPER INSTALLATION CAN LEAD TO DISPLAY FALLING CAUSING SERIOUS PERSONAL INJURY OR DAMAGE TO EQUIPMENT! Inadequate thread engagement in display may cause display to fall! Back out screws ONLY as necessary to allow installation of Centris cup!

1. Start two M4 x 8mm Phillips pan head screws (B) into upper mounting holes in display back. (See Figure 3)

NOTE: Leave at least 1/8" of each screw protruding out back of display.

2. Install two M4 x 8mm Phillips pan head screws (B) through bottom holes of faceplate and into display back. (See Figure 3)

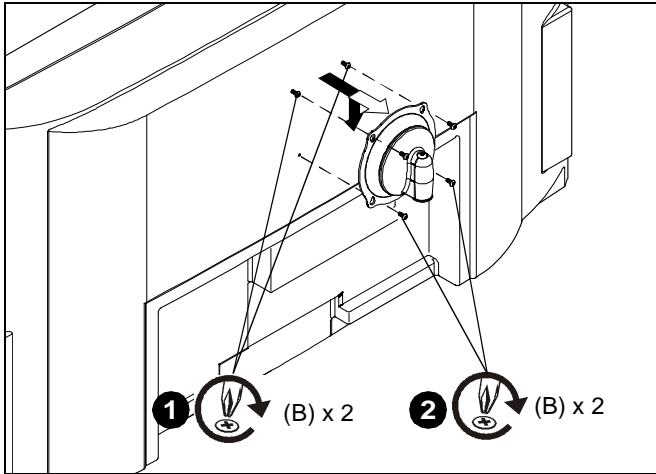


Figure 3

Interface Bracket Installation



WARNING: IMPROPER INSTALLATION CAN LEAD TO MOUNT FALLING CAUSING SERIOUS PERSONAL INJURY OR DAMAGE TO EQUIPMENT! DO NOT substitute hardware. Only use hardware provided or specified by manufacturer.

1. Place interface bracket over the mounting holes on the back of the display, making sure to center the bracket as much as possible.



WARNING: IMPROPER INSTALLATION CAN LEAD TO DAMAGE TO EQUIPMENT OR TO MOUNT FALLING CAUSING SERIOUS PERSONAL INJURY! Use proper size and length hardware depending on display.

NOTE: Use spacers from hardware bag C if the display mounting holes are recessed, or if there is some protrusion or bowing in the back of display.

NOTE: Use screws from hardware bags A, B, or E, dependent upon whether or not spacers are required.

2. Using the same number of spacers (if required) and screws as holes in the display back, attach interface bracket to the display back. (See Figure 4)

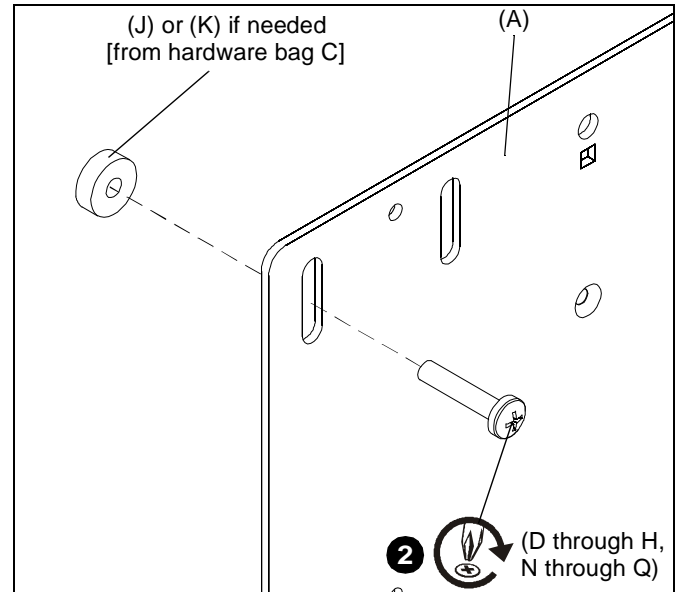


Figure 4



CAUTION: PREVENT EQUIPMENT DAMAGE! Tighten each screw carefully, but do NOT overtighten.

Attach Interface Bracket to Display

1. Lay display face down on a clean and dry flat surface.
2. Attach Interface Bracket (A) to display using appropriate screws (C-H, N-Q). (See Figure 5)

NOTE: If the display has a recessed mounting surface, spacers (K or J) between the display and Interface Bracket (A) may be required.

3. Tighten all screws.

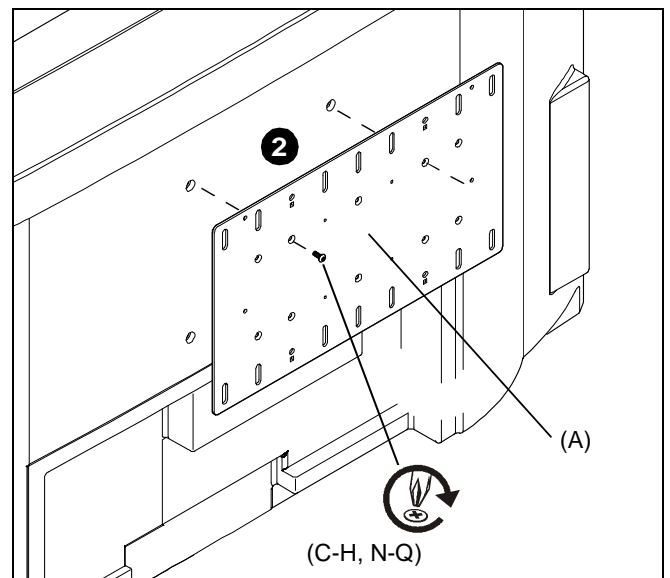


Figure 5

Attach Display to Mount

1. Start two M4 x 8mm Phillips pan head screws (B) into top mounting holes on interface bracket (A). (See Figure 6)
2. Align two screws in interface bracket (A) with upper mounting holes in Centris cup and lower display until screws are seated in lower area of teardrop mounting holes. (See Figure 6)

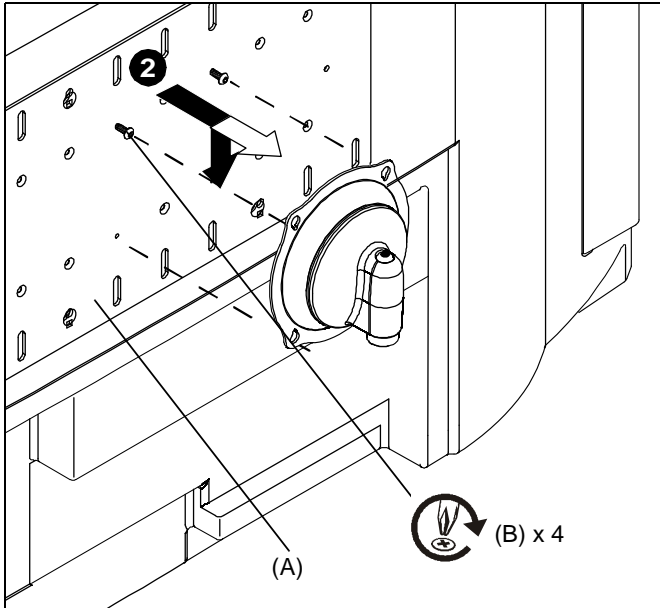


Figure 6

3. Hold display so that display back is against Centris cup and install two M4 x 8mm Phillips pan head machine screws (B) through lower mounting holes in Centris cup and into lower mounting holes in interface bracket (A). (See Figure 7)

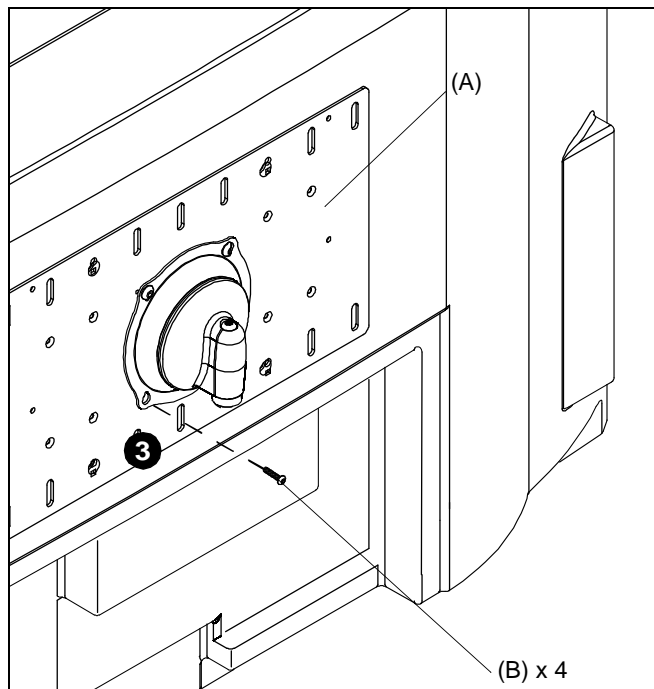


Figure 7



8800-002603 Rev00
08/14

Winsted Control Room Consoles

10901 Hampshire Ave. South
Minneapolis, MN 55438 USA

800-447-2257
www.winsted.com

