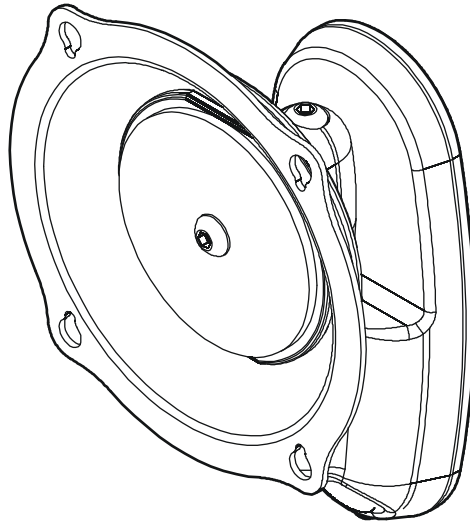


# INSTALLATION INSTRUCTIONS



Wall Mount (51239)

---

## Medium Wall Mounts

---

## DISCLAIMER

Winsted Control Room Consoles and its affiliated corporations and subsidiaries (collectively "Winsted"), intend to make this manual accurate and complete. However, Winsted makes no claim that the information contained herein covers all details, conditions or variations, nor does it provide for every possible contingency in connection with the installation or use of this product. The information contained in this document is subject to change without notice or obligation of any kind. Winsted makes no representation of warranty, expressed or implied, regarding the information contained herein. Winsted assumes no responsibility for accuracy, completeness or sufficiency of the information contained in this document.

Winsted® is a registered trademark of Winsted Control Room Consoles. All rights reserved.



**WARNING:** Exceeding the weight capacity can result in serious personal injury or damage to equipment! It is the installer's responsibility to make sure the combined weight of all components located attached to the mounts up to (and including) the display does not exceed 75 lbs (34.02 kg). Use with products heavier than the maximum weight indicated may result in collapse of the mount and its accessories causing possible injury.

**--SAVE THESE INSTRUCTIONS!--**



## IMPORTANT SAFETY INSTRUCTIONS!



**WARNING:** A WARNING alerts you to the possibility of serious injury or death if you do not follow the instructions.



**CAUTION:** A CAUTION alerts you to the possibility of damage or destruction of equipment if you do not follow the corresponding instructions.



**WARNING:** Failure to read, thoroughly understand, and follow all instructions can result in serious personal injury, damage to equipment, or voiding of factory warranty! It is the installer's responsibility to make sure all components are properly assembled and installed using the instructions provided.



**WARNING:** Failure to provide adequate structural strength for this component can result in serious personal injury or damage to equipment! It is the installer's responsibility to make sure the structure to which this component is attached can support five times the combined weight of all equipment. Reinforce the structure as required before installing the component.



**WARNING:** Use this mounting system only for its intended use as described in these instructions. Do not use attachments not recommended by the manufacturer.

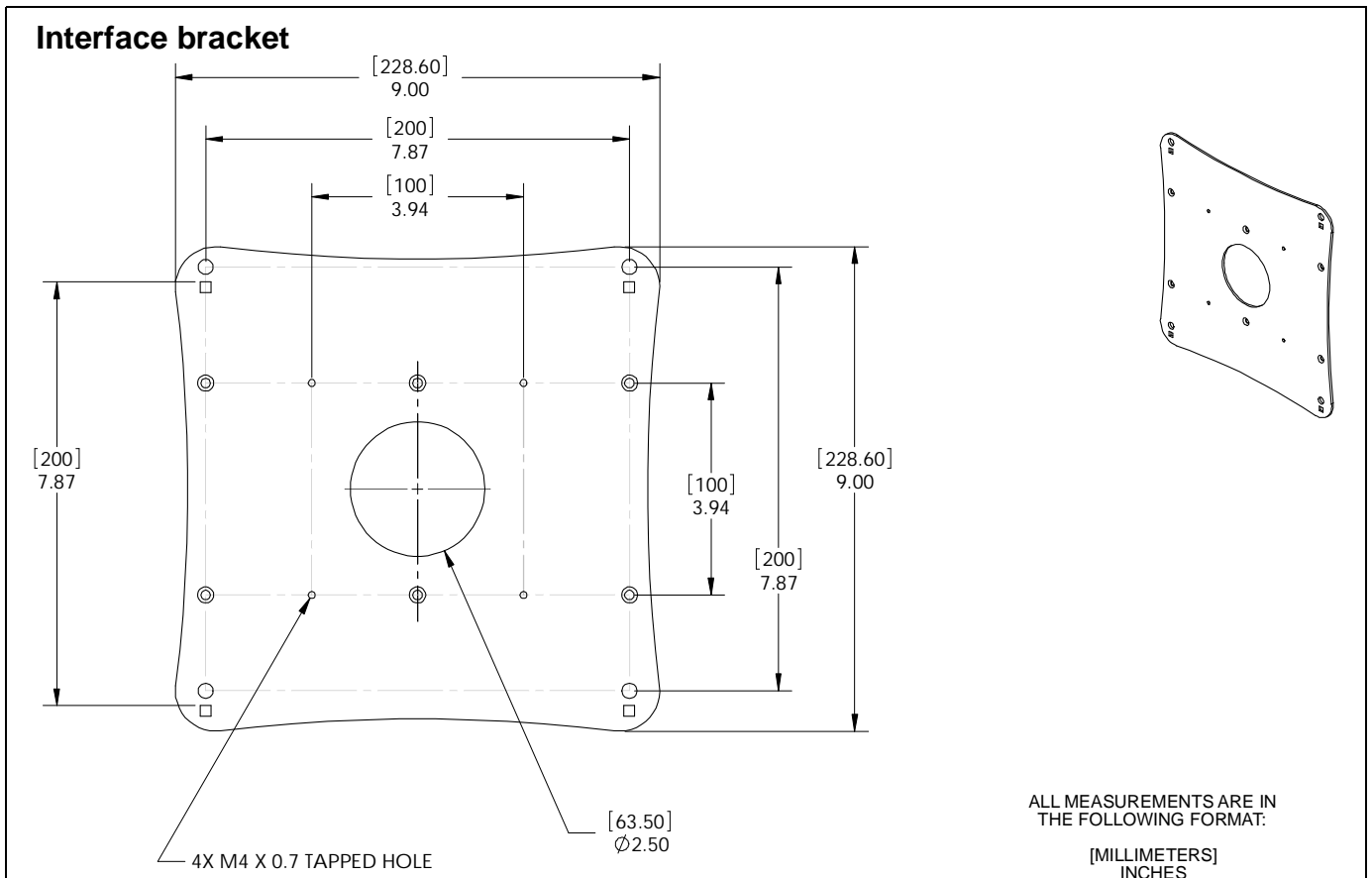
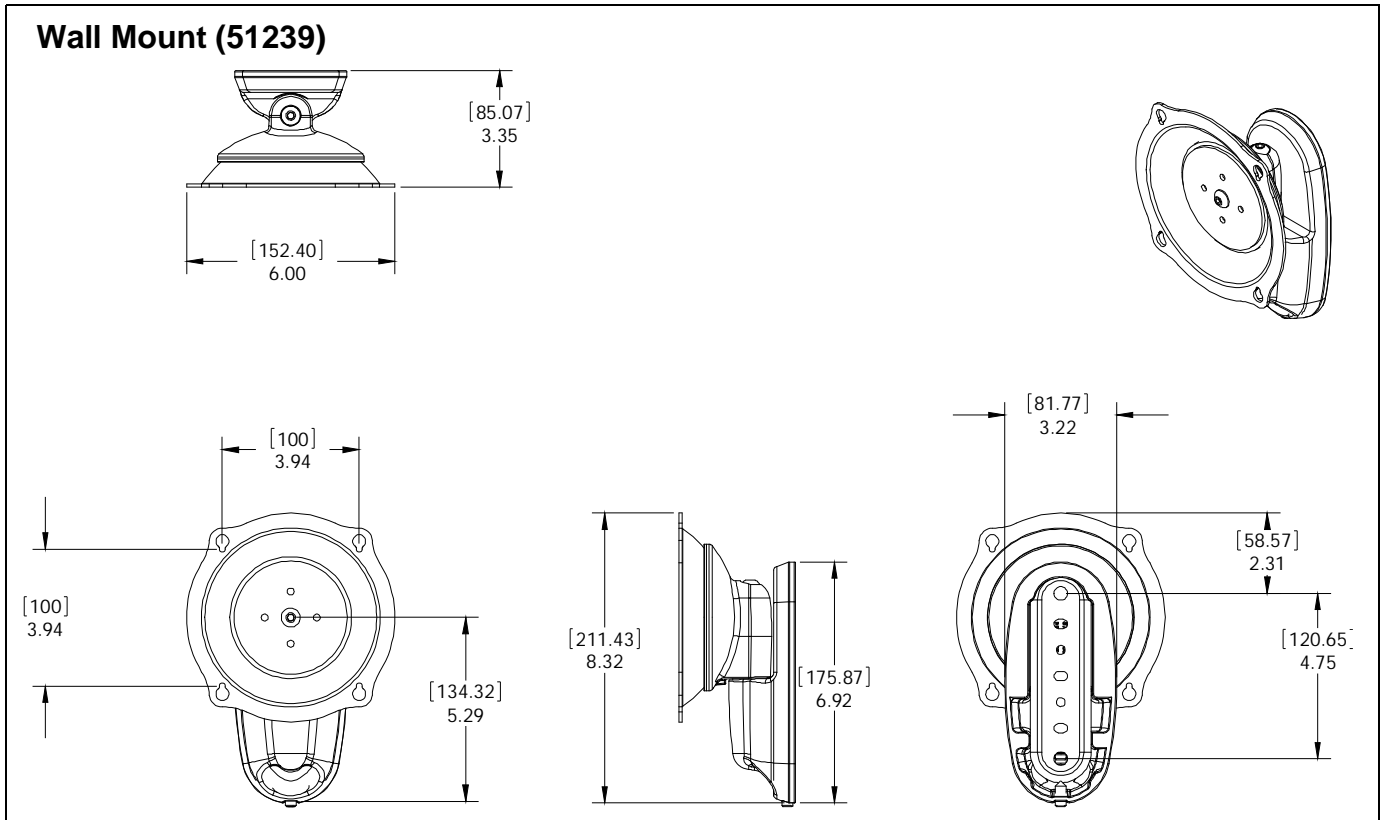


**WARNING:** Never operate this mounting system if it is damaged. Return the mounting system to a service center for examination and repair.

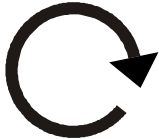

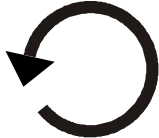











**WARNING:** Do not use this product outdoors.

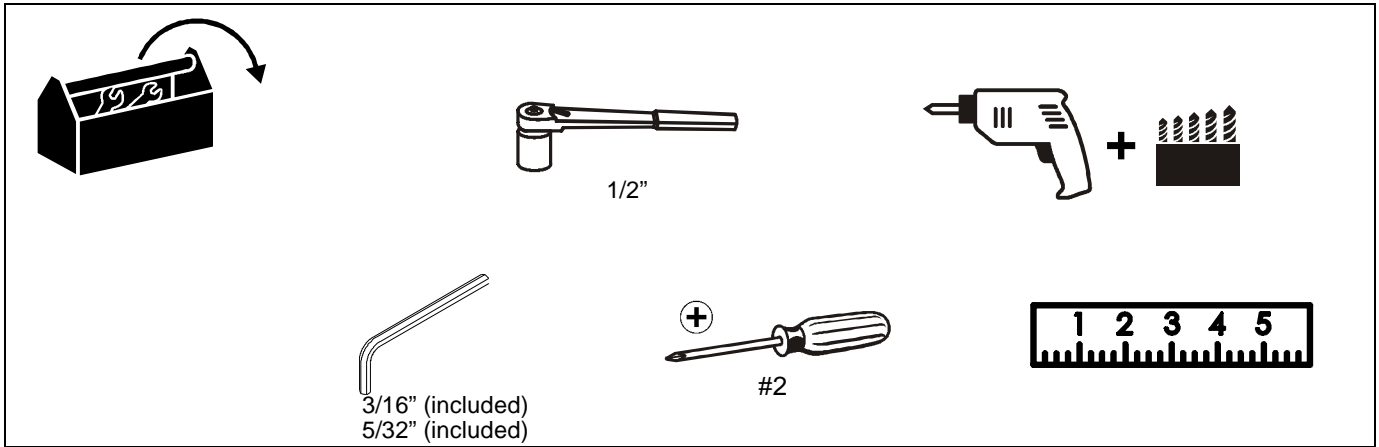
**DIMENSIONS**



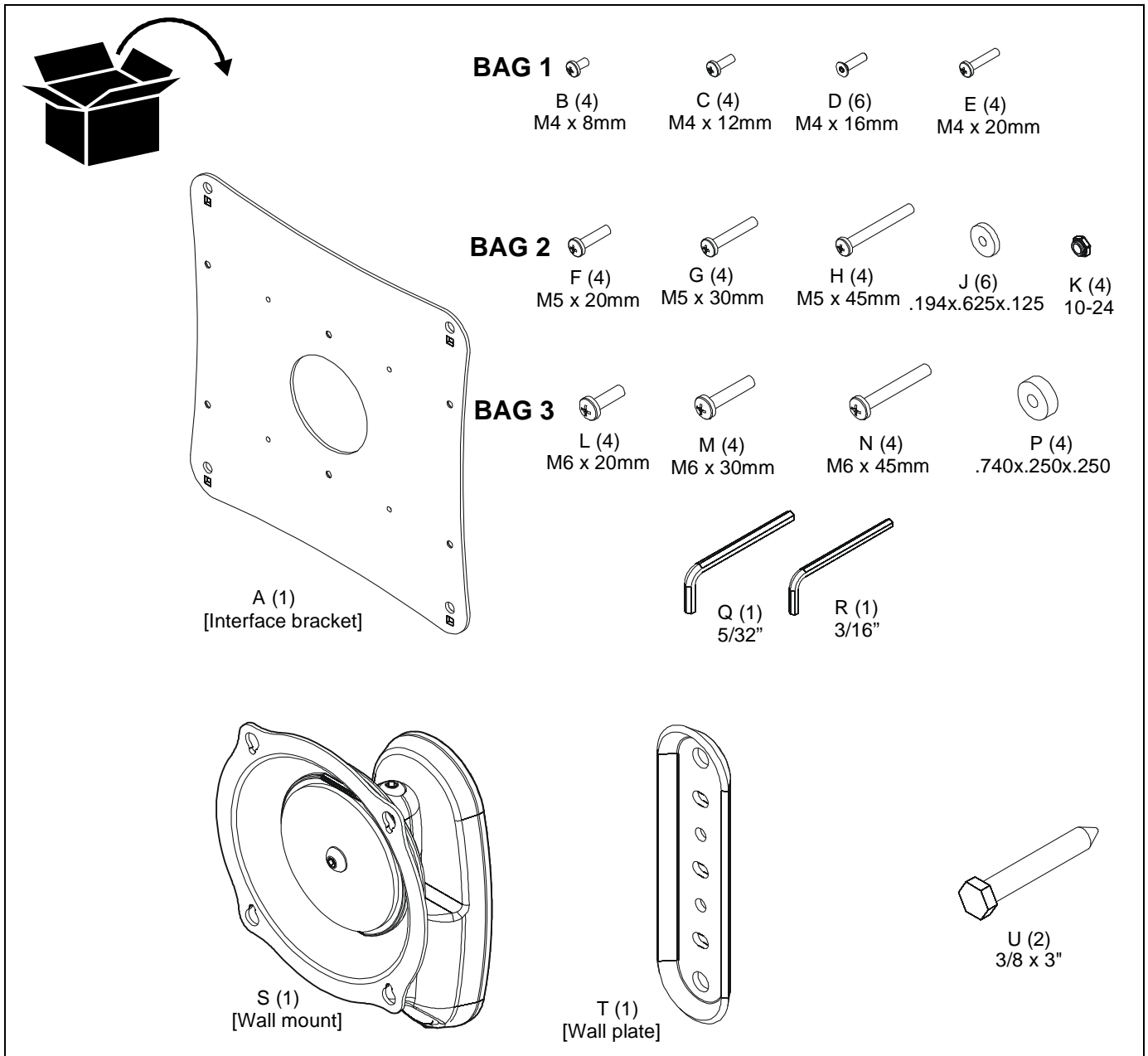
## LEGEND

	<b>Tighten Fastener</b> Apretar elemento de fijación Befestigungsteil festziehen Apertar fixador Serrare il fissaggio Bevestiging vastdraaien Serrez les fixations		<b>Pencil Mark</b> Marcar con lápiz Stiftmarkierung Marcar com lápis Segno a matita Potloodmerkteken Marquage au crayon
	<b>Loosen Fastener</b> Aflojar elemento de fijación Befestigungsteil lösen Desapertar fixador Allentare il fissaggio Bevestiging losdraaien Desserrez les fixations		<b>Drill Hole</b> Perforar Bohrloch Fazer furo Praticare un foro Gat boren Percez un trou
	<b>Phillips Screwdriver</b> Destornillador Phillips Kreuzschlitzschraubendreher Chave de fendas Phillips Cacciavite a stella Kruiskopschroevendraaier Tournevis à pointe cruciforme		<b>Adjust</b> Ajustar Einstellen Ajustar Regolare Afstellen Ajuster
	<b>Open-Ended Wrench</b> Llave de boca Gabelschlüssel Chave de bocas Chiave a punte aperte Steeksleutel Clé à fourche		<b>Remove</b> Quitar Entfernen Remover Rimuovere Verwijderen Retirez
	<b>By Hand</b> A mano Von Hand Com a mão A mano Met de hand À la main		<b>Optional</b> Opcional Optional Opcional Opzionale Optie En option
	<b>Hex-Head Wrench</b> Llave de cabeza hexagonal Sechskantschlüssel Chave de cabeça sextavada Chiave esagonale Zeskantsleutel Clé à tête hexagonale		<b>Security Wrench</b> Llave de seguridad Sicherheitsschlüssel Chave de segurança Chiave di sicurezza Veiligheidsleutel Clé de sécurité

**TOOLS REQUIRED FOR INSTALLATION**



**PARTS**



## Assembly And Installation

### Connecting to Wall (51239)



**WARNING:** FAILURE TO PROVIDE ADEQUATE STRUCTURAL STRENGTH FOR THIS MOUNT CAN RESULT IN SERIOUS PERSONAL INJURY OR DAMAGE TO EQUIPMENT! It is the installer's responsibility to make sure the structure to which this mount is attached can support five times the combined weight of the mount and all equipment attached to it. Reinforce the structure as required before installing the mount.

1. Determine location for mount keeping in mind display size, extension, height adjustment (if applicable), and pitch/roll requirements.

**NOTE:** Wall plate (T) MUST be installed into wood stud.

2. Using wall plate (T) as a template, mark then drill two 1/4" diameter x 3" deep pilot holes through top and bottom holes of wall bracket into wall structure. (See Figure 1)
3. Install two 3/8" x 3" hex head lag screws (U) through wall plate (T) and drywall into wood stud. (See Figure 1)
4. Ensure wall plate (T) is vertical, then tighten screws (D).

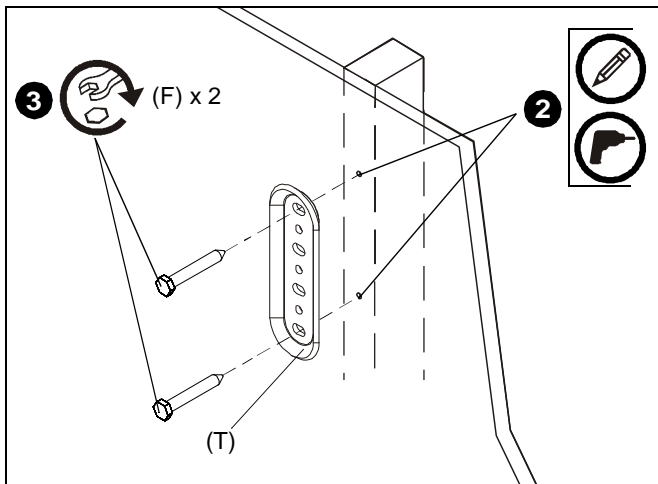


Figure 1



**CAUTION:** Over tightening screws may cause wall bracket to compress into soft wall surface, resulting in difficult mount installation or improper engaging of set screw in later step.

5. Insert top of wall mount (S) over lip on top of wall plate (T). (See Figure 2)
6. Swing wall mount down flush against wall.

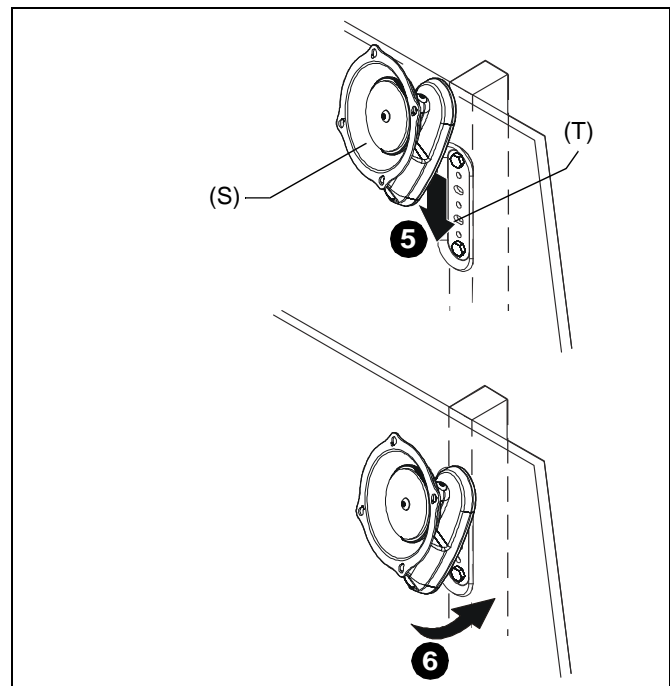


Figure 2

7. Tighten set screw in bottom of wall mount. (See Figure 3)

**NOTE:** Ensure set screw engages on back side of wall plate to properly secure wall mount.

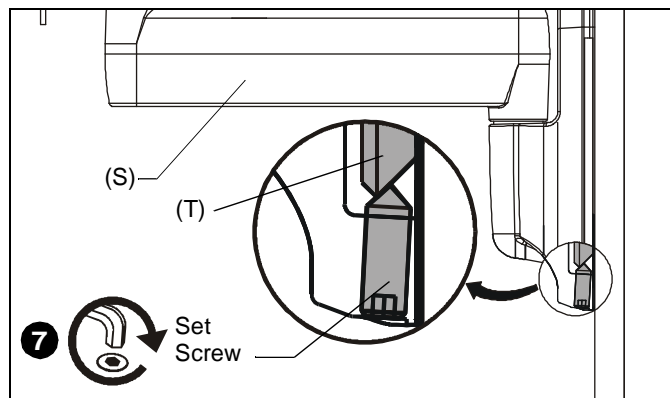


Figure 3

## Display Installation

**NOTE:** If the display being installed has a 100x100 VESA mounting pattern, no interface bracket is required and the display can be mounted directly to the wall mount as outlined below.

**IMPORTANT ! :** If the display being installed requires an interface bracket, proceed to the Interface Bracket Installation Section.

1. Determine mounting pattern on display.



**WARNING:** IMPROPER INSTALLATION CAN LEAD TO EQUIPMENT FALLING CAUSING SERIOUS PERSONAL INJURY AND DAMAGE TO EQUIPMENT! DO NOT substitute hardware. Use only hardware supplied by manufacturer!



**WARNING:** IMPROPER INSTALLATION CAN LEAD TO ELECTRIC SHOCK OR DAMAGE TO EQUIPMENT! Screw length must not exceed the depth of threaded mounting insert in display.



**WARNING:** OVERTIGHTENING OF SCREWS CAN DAMAGE PARTS AND LEAD TO SERIOUS PERSONAL INJURY AND DAMAGE TO EQUIPMENT! DO NOT over tighten screws when installing interface bracket.



**WARNING:** IMPROPER INSTALLATION CAN LEAD TO DISPLAY FALLING CAUSING SERIOUS PERSONAL INJURY OR DAMAGE TO EQUIPMENT! Using screws of improper size may damage your display! Proper screws will easily and completely thread into display mounting holes. Ensure that screws are not too long.



**WARNING:** IMPROPER INSTALLATION CAN LEAD TO DISPLAY FALLING CAUSING SERIOUS PERSONAL INJURY OR DAMAGE TO EQUIPMENT! Inadequate thread engagement in display may cause display to fall! Back out screws ONLY as necessary to allow installation of Centris cup!

1. Start two M4 x 8mm Phillips pan head screws (B) into upper mounting holes in display back. (See Figure 4)

**NOTE:** Leave at least 1/8" of each screw protruding out back of display.

2. Install two M4 x 8mm Phillips pan head screws (B) through bottom holes of faceplate and into display back. (See Figure 4)

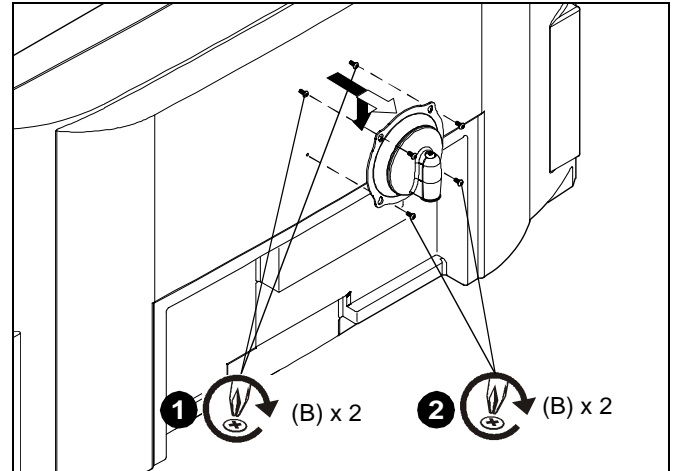


Figure 4

## Interface Bracket Installation



**WARNING:** IMPROPER INSTALLATION CAN LEAD TO MOUNT FALLING CAUSING SERIOUS PERSONAL INJURY OR DAMAGE TO EQUIPMENT! DO NOT substitute hardware. Only use hardware provided or specified by manufacturer.

1. Determine pattern of mounting holes in back of display.



**WARNING:** IMPROPER INSTALLATION CAN LEAD TO DAMAGE TO EQUIPMENT OR TO MOUNT FALLING CAUSING SERIOUS PERSONAL INJURY! Use proper size and length hardware depending on display.

### 200mm x 100mm Mounting Hole Pattern

2. Use six nylon spacers (J) and six M4 x 16mm flat head screws (D) to attach interface bracket (A) to the display back. (See Figure 5)

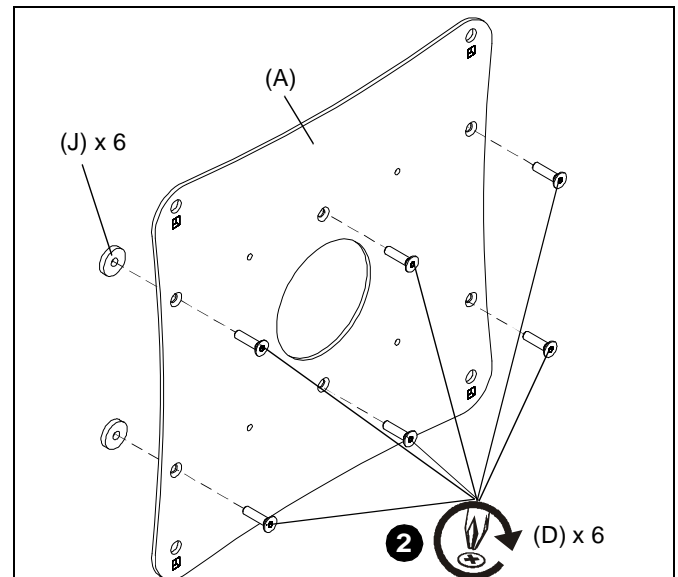


Figure 5

### 200mm x 200mm Mounting Hole Pattern

- Use four nylon spacers (J or P) and four Phillips cap head screws (E through H, L through N) to attach interface bracket (A) to the display back. (See Figure 6)

**NOTE:** Phillips cap head screws should be placed through either the square or round holes in the interface bracket corners.

- Use M4 cap head screws through SQUARE holes.
- Use M6 cap head screws through ROUND holes.

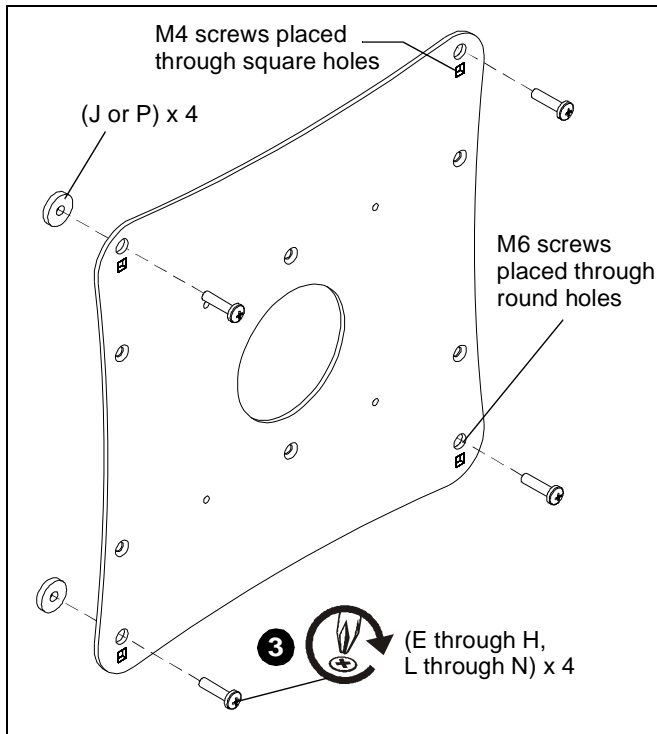


Figure 6



**CAUTION:** PREVENT EQUIPMENT DAMAGE! Tighten each screw carefully, but do NOT overtighten.

### Attach Display to Mount

- Start two Phillips pan head screws into top mounting holes on interface bracket (A). (See Figure 7)
- Align two screws in interface bracket (A) with upper mounting holes in Centris cup and lower display until screws are seated in lower area of teardrop mounting holes. (See Figure 7)

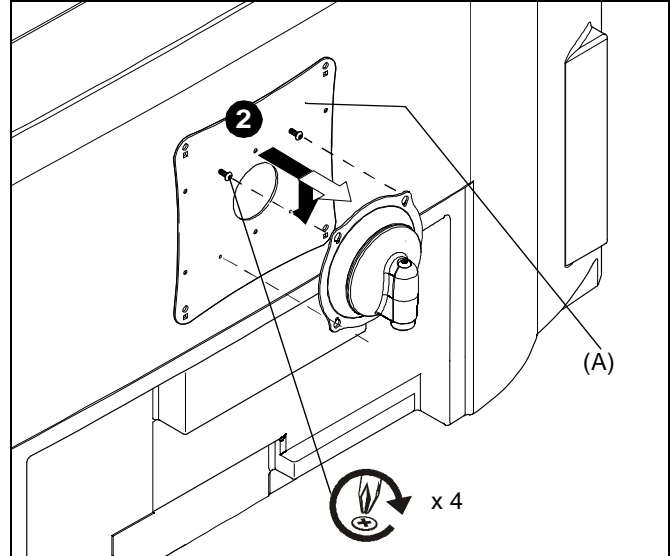


Figure 7

- Hold display so that display back is against Centris cup and install two Phillips pan head machine screws through lower mounting holes in Centris cup and into lower mounting holes in interface bracket (A). (See Figure 8)

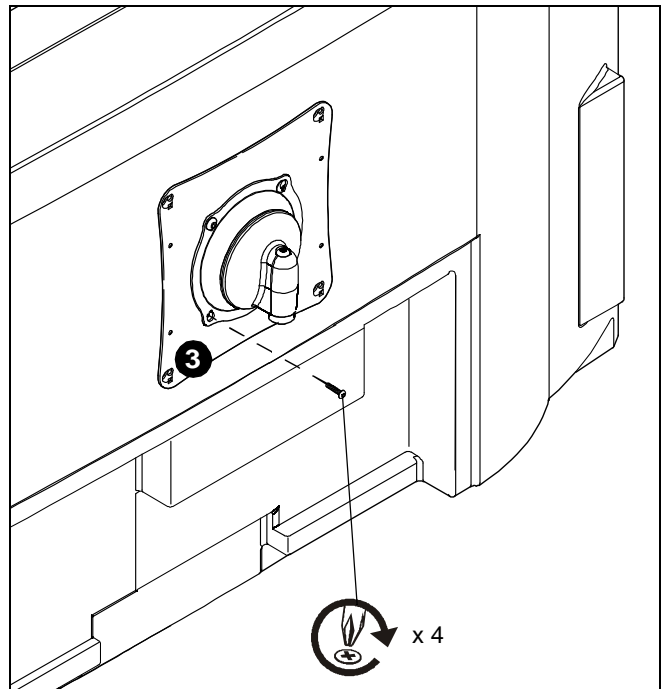


Figure 8











8800-002622 Rev00  
08/14

## Winsted Control Room Consoles

10901 Hampshire Ave. South  
Minneapolis, MN 55438 USA

800-447-2257  
[www.winsted.com](http://www.winsted.com)

