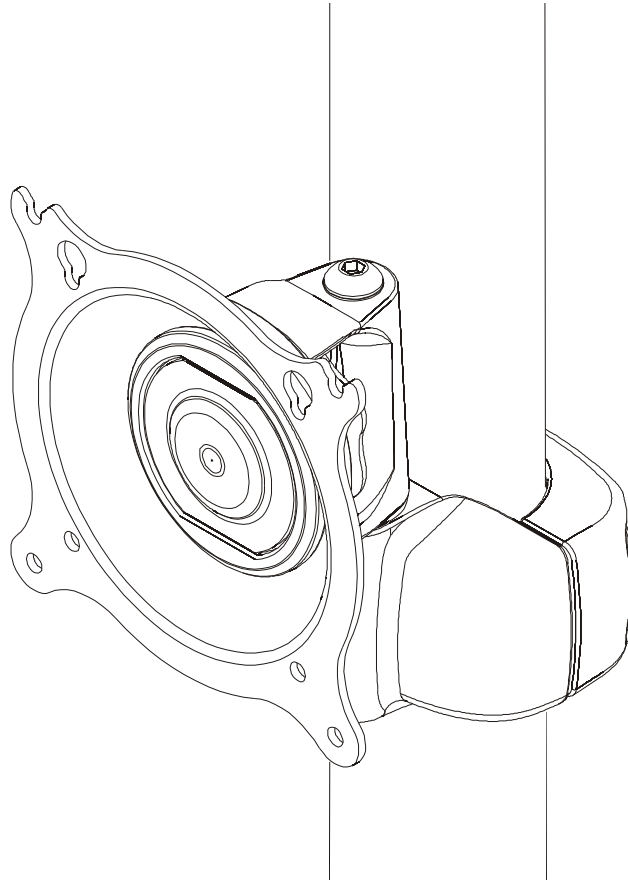

INSTALLATION INSTRUCTIONS




Small Flat Panel Pole Mount


DISCLAIMER


Milestone AV Technologies, and its affiliated corporations and subsidiaries (collectively, "Milestone"), intend to make this manual accurate and complete. However, Milestone makes no claim that the information contained herein covers all details, conditions or variations, nor does it provide for every possible contingency in connection with the installation or use of this product. The information contained in this document is subject to change without notice or obligation of any kind. Milestone makes no representation of warranty, expressed or implied, regarding the information contained herein. Milestone assumes no responsibility for accuracy, completeness or sufficiency of the information contained in this document.


Chief® and Centris™ are trademarks of Milestone AV Technologies. All rights reserved.


IMPORTANT WARNINGS AND CAUTIONS!

 **WARNING:** A WARNING alerts you to the possibility of serious injury or death if you do not follow the instructions.


 **CAUTION:** A CAUTION alerts you to the possibility of damage or destruction of equipment if you do not follow the corresponding instructions.

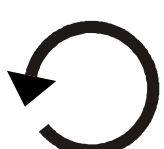
 **WARNING:** Failure to read, thoroughly understand, and follow all instructions can result in serious personal injury, damage to equipment, or voiding of factory warranty! It is the installer's responsibility to make sure all components are properly assembled and installed using the instructions provided.


 **WARNING:** Failure to provide adequate structural strength for this component can result in serious personal injury or damage to equipment! It is the installer's responsibility to make sure the structure to which this component is attached can support five times the combined weight of all equipment. Reinforce the structure as required before installing the component.


 **WARNING:** Exceeding the weight capacity can result in serious personal injury or damage to equipment! It is the installer's responsibility to make sure the combined weight of all components attached to this accessory does not exceed 40 lbs (18 kg).

LEGEND

	Tighten Fastener
	Apretar elemento de fijación
	Befestigungsteil festziehen
	Apertar fixador
	Serrare il fissaggio
	Bevestiging vastdraaien
	Serrez les fixations

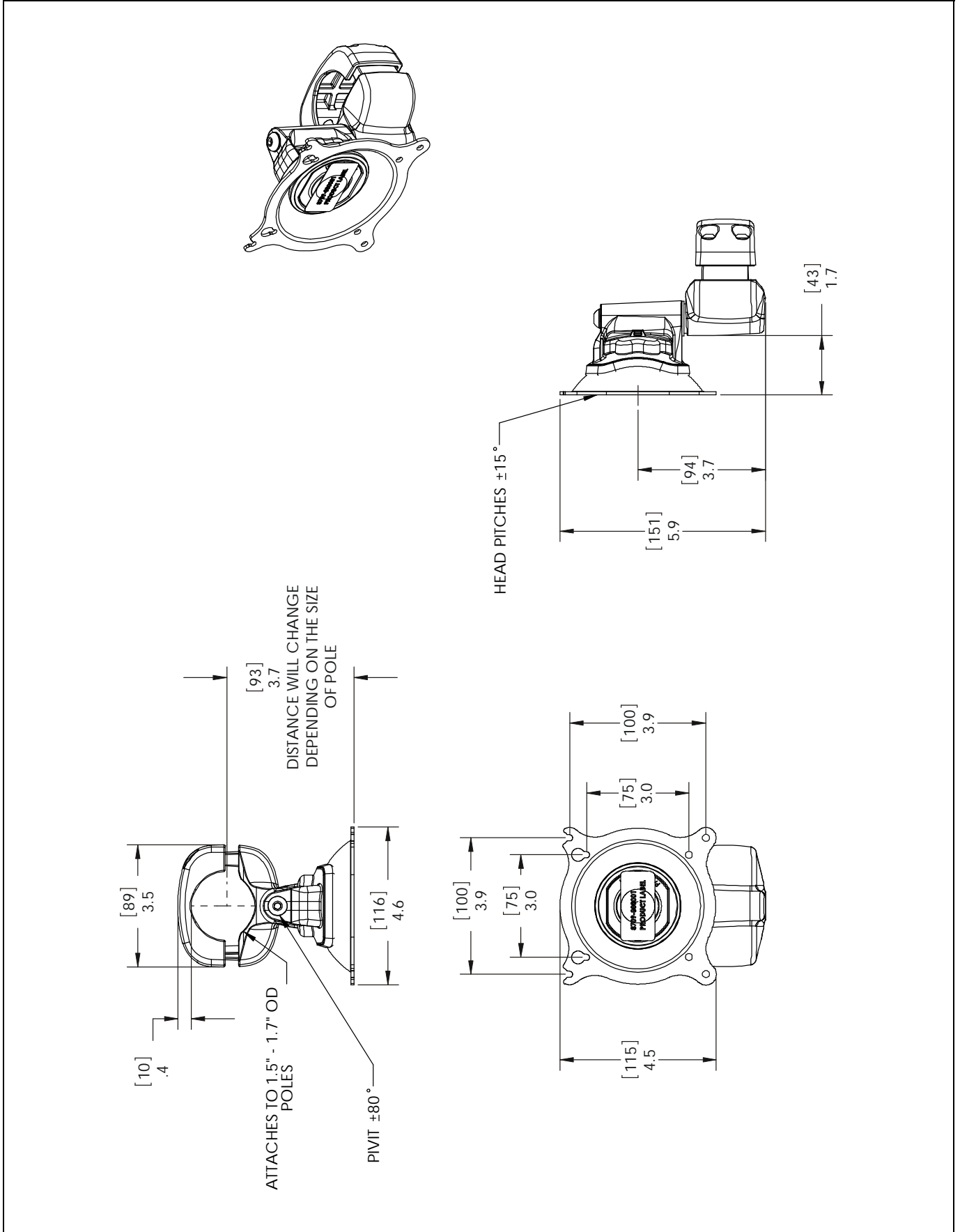
	Loosen Fastener
	Aflojar elemento de fijación
	Befestigungsteil lösen
	Desapertar fixador
	Allentare il fissaggio
	Bevestiging losdraaien
	Desserrez les fixations

	Hex-Head Wrench
	Llave de cabeza hexagonal
	Sechskantschlüssel
	Chave de cabeça sextavada
	Chiave esagonale
	Zeskantsleutel
	Clé à tête hexagonale

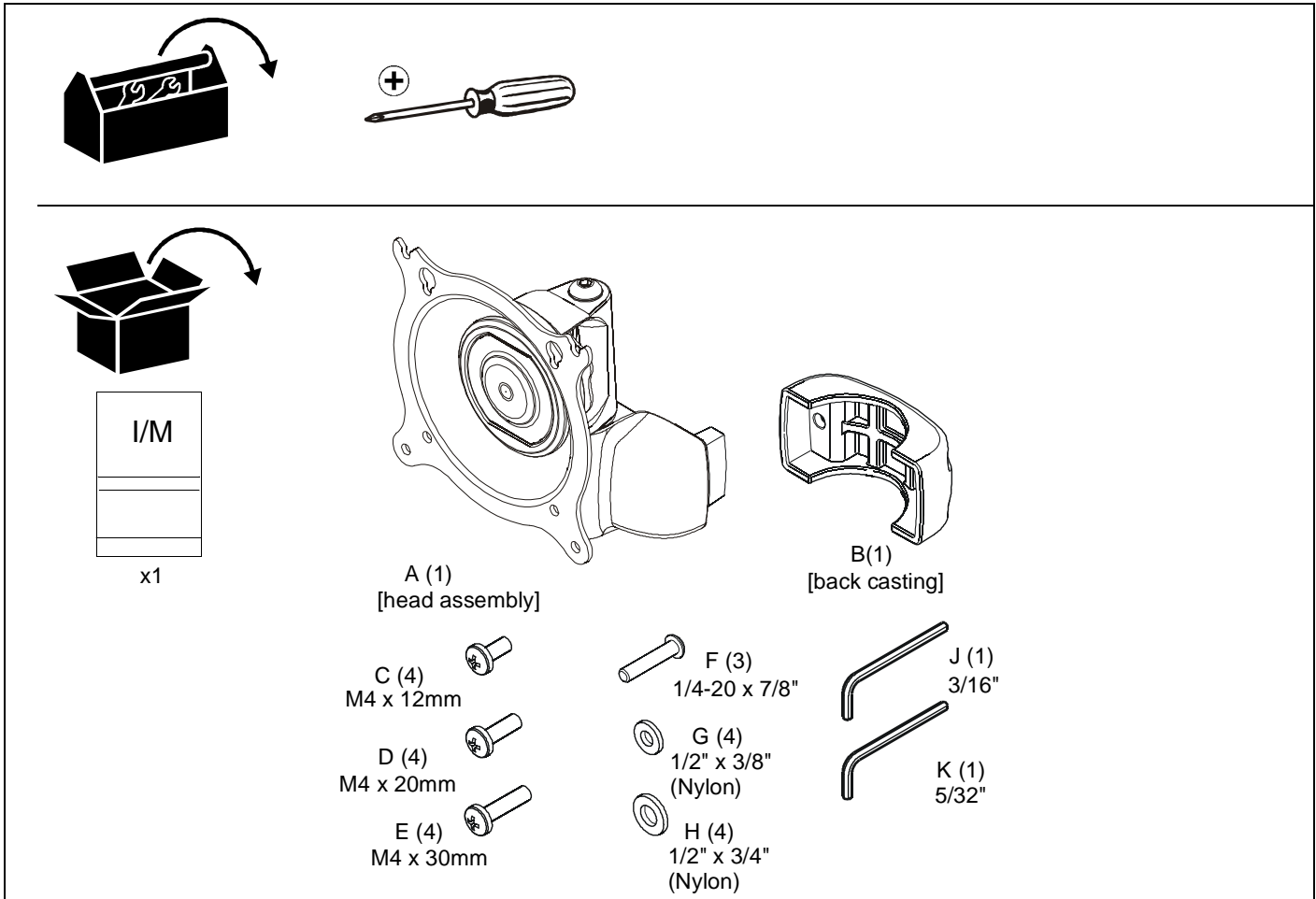
	Phillips Screwdriver
	Destornillador Phillips
	Kreuzschlitzschraubendreher
	Chave de fendas Phillips
	Cacciavite a stella
	Kruiskopschroevendraaier
	Tournevis à pointe cruciforme

	By Hand
	A mano
	Von Hand
	Com a mão
	A mano
	Met de hand
	À la main

DIMENSIONS



TOOLS REQUIRED FOR INSTALLATION AND PARTS



INSTALLATION

WARNING: IMPROPER INSTALLATION CAN LEAD TO DISPLAY FALLING CAUSING SERIOUS PERSONAL INJURY OR DAMAGE TO EQUIPMENT! DO NOT substitute hardware! Use only hardware provided by manufacturer.

1. Place head assembly (A) against pole in desired position.
2. Align back casting (B) with head assembly (A) and push together around pole. (See Figure 1)

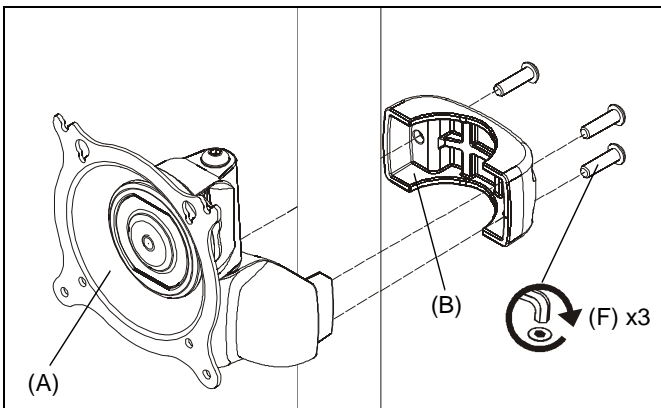


Figure 1

NOTE: Equally tighten screws (F) against back casting (B) and head assembly (A). (See Figure 2)

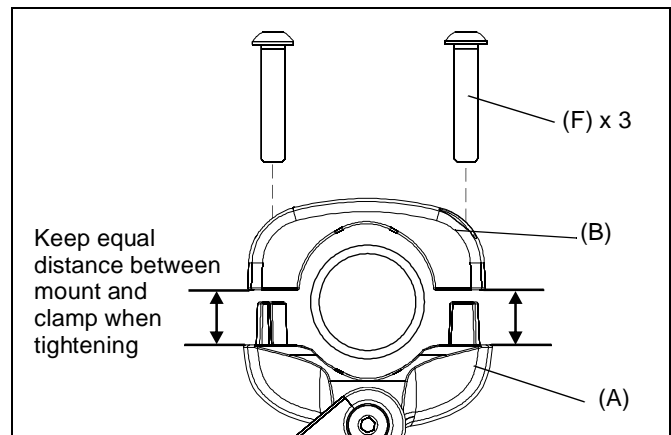


Figure 2

3. Secure back casting (B) to head assembly (A) using three 1/4-20 x 7/8" button head cap screws (F) and hex wrench provided. (See Figure 1)

Display Installation

The Centris head is designed with both VESA 75 x 75 and 100 x 100 mounting patterns. If the display has a different mounting pattern, an interface bracket may be necessary in order to properly mount the display.

Flush Mount Display Installation

To mount a display with a flush mounting surface:

1. Install two Phillips pan head machine screws (C) into upper mounting holes in display back. (See Figure 3)

NOTE: DO NOT fully tighten top screws.

2. Hang display on two Phillips pan head machine screws (C) installed on display back. (See Figure 3)
3. Install two Phillips pan head machine screws (C) through lower mounting holes in centris head and into lower mounting holes in display back. (See Figure 3)
4. Tighten all hardware.

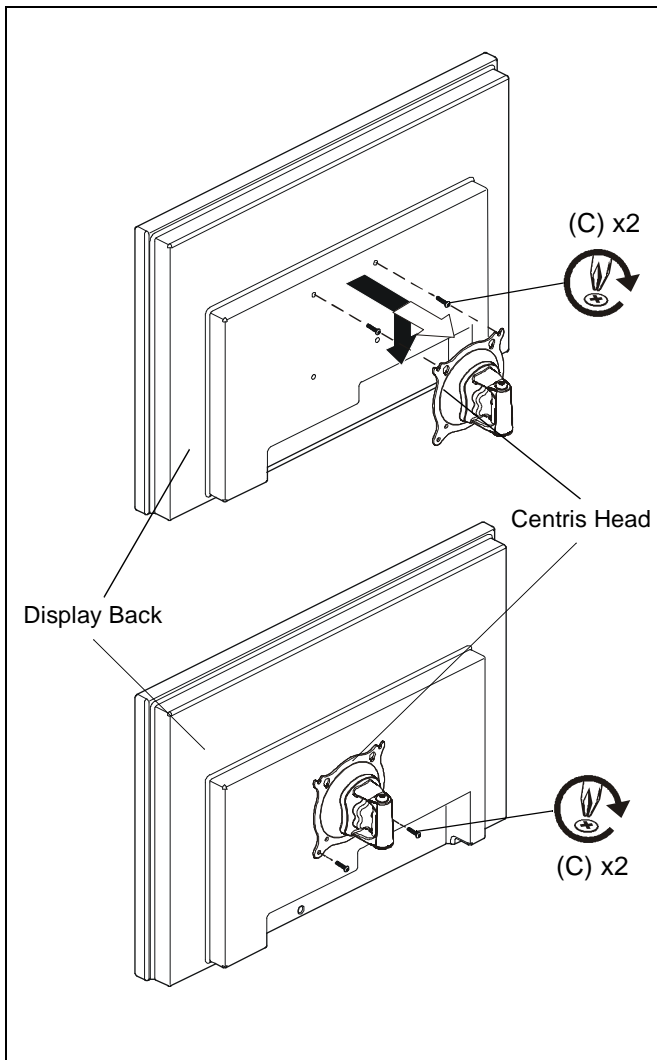


Figure 3

Recessed Mount Display Installation

To mount a display with a recessed mounting surface:

1. Lay display face down on a clean dry surface.
2. Place four spacers (G or H) over mounting holes in display back and align spacers with holes.

3. Position Centris head over spacers and align mounting hole in Centris head with holes in spacers.
4. Secure display to Centris head using four Phillips pan head machine screws (D or E) . (See Figure 4)

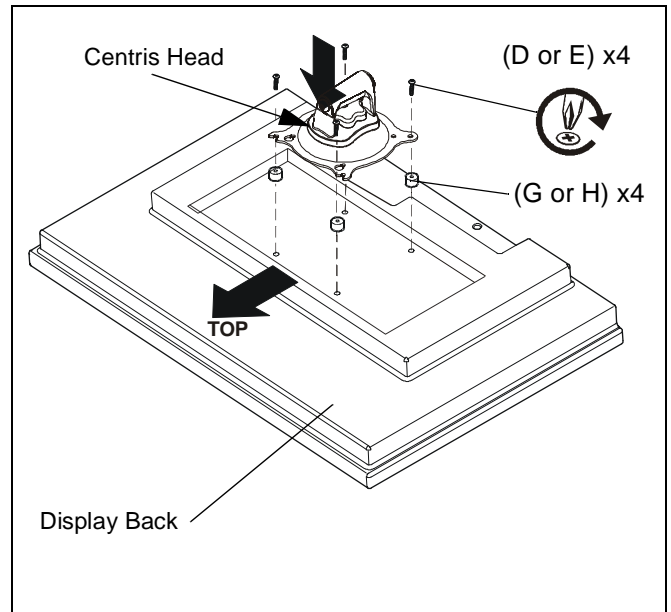


Figure 4

Adjustments

The WT11 mount provides for Pitch, Roll, YAW and display Pivot tension adjustment.

To adjust display Pitch/Roll/ YAW tension:

5. Turn adjustment knob, located on back of Centris cup, clockwise to increase tension or counter-clockwise to decrease. (See Figure 5)

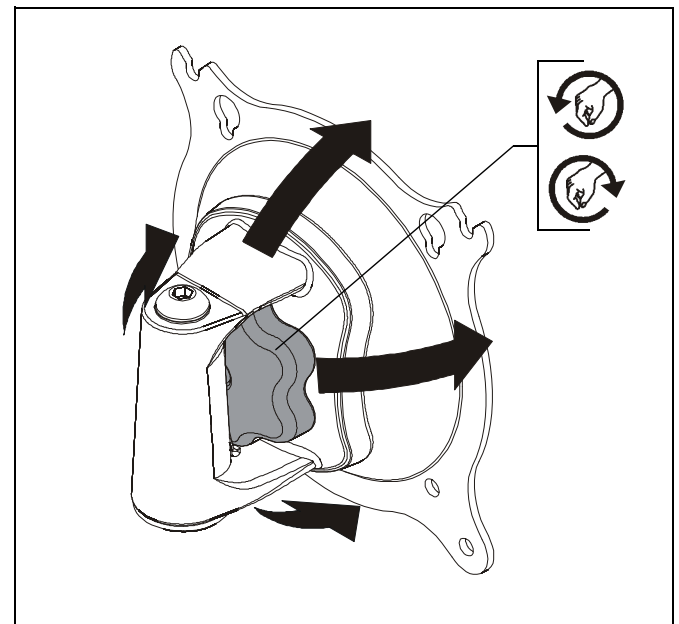


Figure 5

To adjust display pivot tension:

1. Using hex wrench provided, turn adjustment screw clockwise to increase tension or counter-clockwise to decrease tension. (See Figure 6)

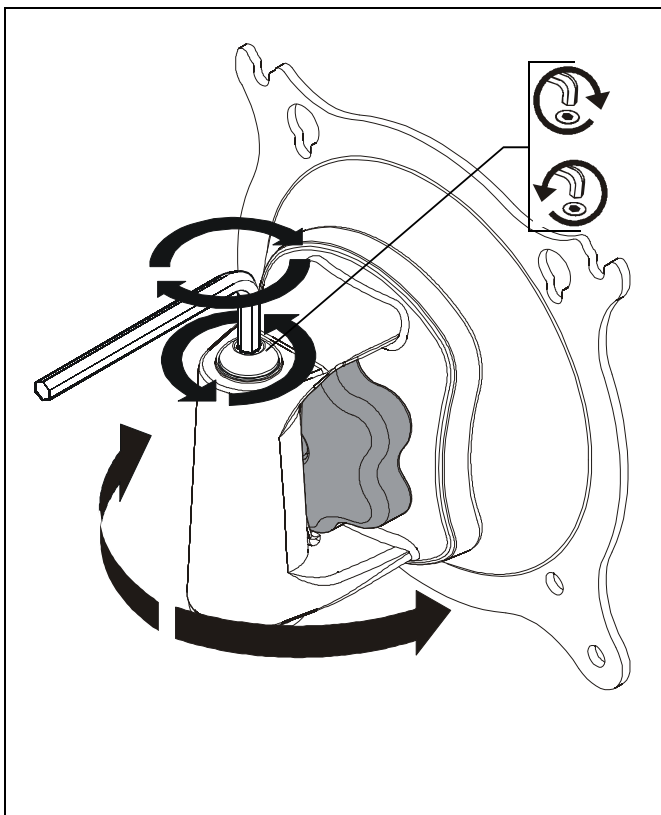


Figure 6



Our Mounts. **Your Vision.**
Chief Manufacturing, a division of
Milestone AV Technologies

8832-002062 Rev 00
©2011 Milestone AV Technologies, a
Duchossois Group Company
www.chiefmfg.com
02/11

USA/International	A 8401 Eagle Creek Parkway, Savage, MN 55378 P 800.582.6480 / 952.894.6280 F 877.894.6918 / 952.894.6918
Europe	A Fellenoord 130 5611 ZB EINDHOVEN, The Netherlands P +31 (0)40 2668620 F +31 (0)40 2668615
Asia Pacific	A Office No. 1 on 12/F, Shatin Galleria 18-24 Shan Mei Street Fotan, Shatin, Hong Kong P 852 2145 4099 F 852 2145 4477

