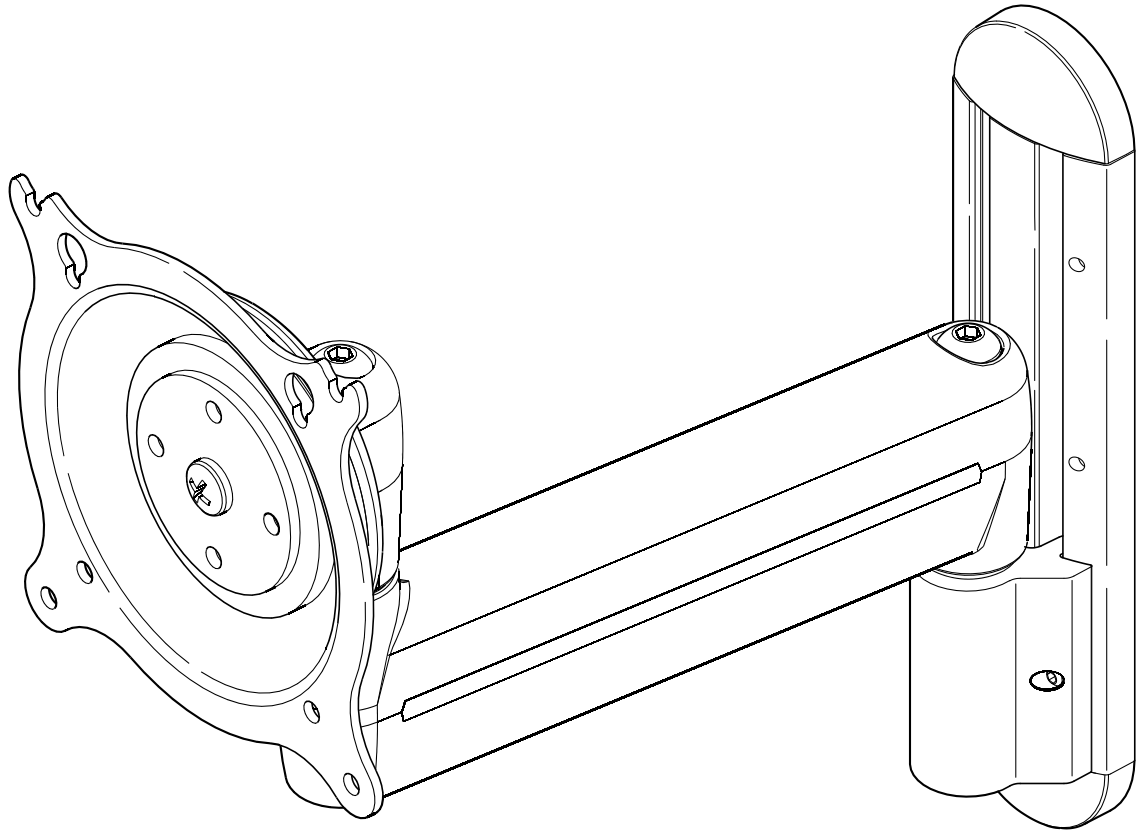


INSTALLATION INSTRUCTIONS



Swing Arm Wall Mount

DISCLAIMER

CSAV, Inc., and its affiliated corporations and subsidiaries (collectively, "CSAV"), intend to make this manual accurate and complete. However, CSAV makes no claim that the information contained herein covers all details, conditions or variations, nor does it provide for every possible contingency in connection with the installation or use of this product. The information contained in this document is subject to change without notice or obligation of any kind. CSAV makes no representation of warranty, expressed or implied, regarding the information contained herein. CSAV assumes no responsibility for accuracy, completeness or sufficiency of the information contained in this document.

! IMPORTANT WARNINGS AND CAUTIONS!

! WARNING: A WARNING alerts you to the possibility of serious injury or death if you do not follow the instructions.

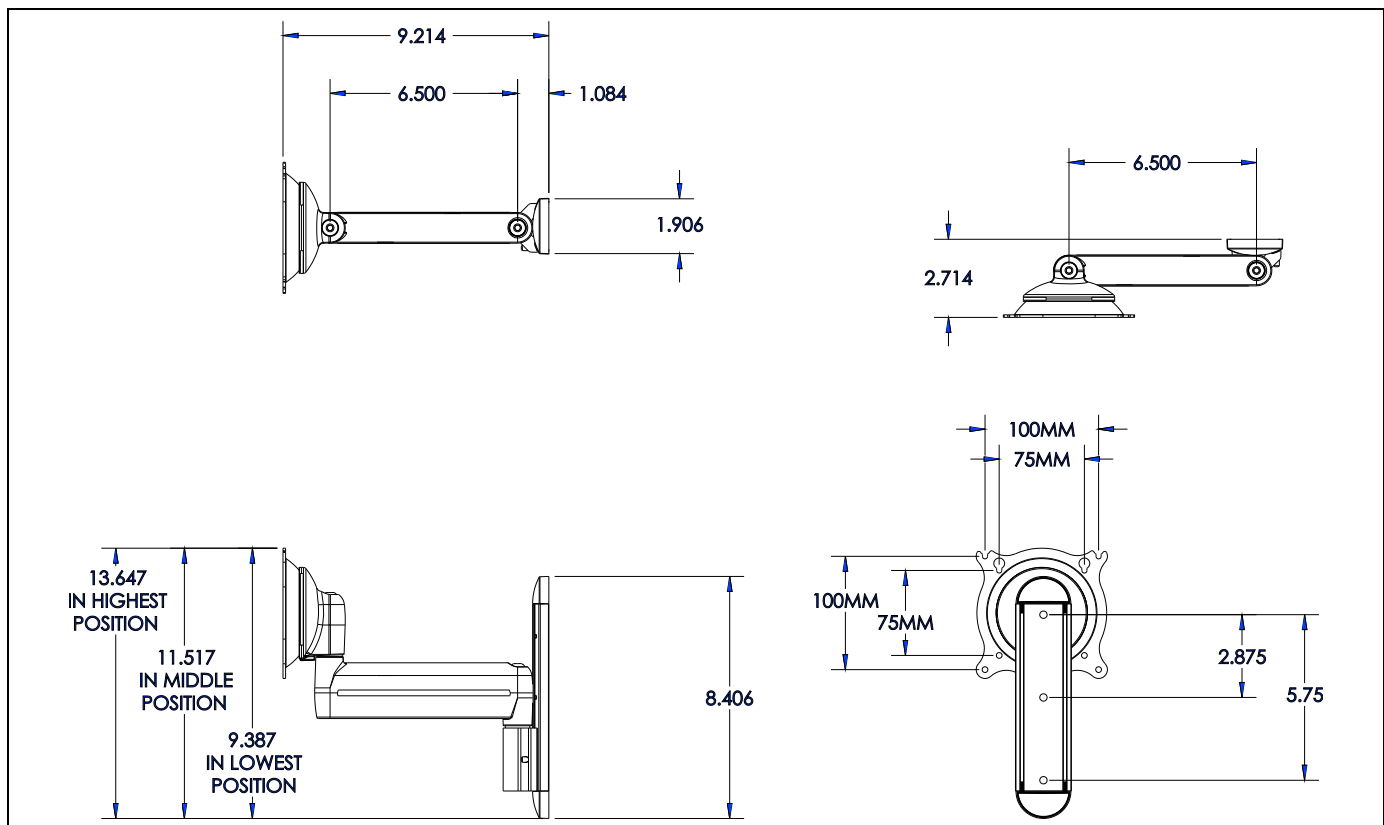
! CAUTION: A CAUTION alerts you to the possibility of damage or destruction of equipment if you do not follow the corresponding instructions.

! WARNING: Failure to read, thoroughly understand, and follow all instructions can result in serious personal injury, damage to equipment, or voiding of factory warranty! It is the installer's responsibility to make sure all components are properly assembled and installed using the instructions provided.

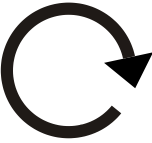
! WARNING: Failure to provide adequate structural strength for this component can result in serious personal injury or damage to equipment! It is the installer's responsibility to make sure the structure to which this component is attached can support five times the combined weight of all equipment. Reinforce the structure as required before installing the component.


! WARNING: Exceeding the weight capacity can result in serious personal injury or damage to equipment! It is the installer's responsibility to make sure the combined weight of all components does not exceed 40 lbs (18 kg).

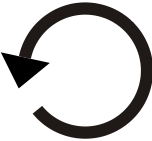
DIMENSIONS





LEGEND

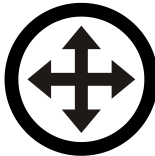
	Tighten Fastener
	Apretar elemento de fijación
	Befestigungsteil festziehen
	Apertar fixador
	Serrare il fissaggio
	Bevestiging vastdraaien
Serrez les fixations	


	Pencil Mark
	Marcar con lápiz
	Stiftmarkierung
	Marcar com lápis
	Segno a matita
	Potloodmerkten
Marquage au crayon	


	Loosen Fastener
	Aflojar elemento de fijación
	Befestigungsteil lösen
	Desapertar fixador
	Allentare il fissaggio
	Bevestiging losdraaien
Desserrez les fixations	


	Drill Hole
	Perforar
	Bohrloch
	Fazer furo
	Praticare un foro
	Gat boren
Percez un trou	


	Phillips Screwdriver
	Destornillador Phillips
	Kreuzschlitzschraubendreher
	Chave de fendas Phillips
	Cacciavite a stella
	Kruiskopschroevendraaier
Tournevis à pointe cruciforme	


	Adjust
	Ajustar
	Einstellen
	Ajustar
	Regolare
	Afstellen
Ajuster	


	Open-Ended Wrench
	Llave de boca
	Gabelschlüssel
	Chave de bocas
	Chiave a punte aperte
	Steeksleutel
Clé à fourche	

	Remove
	Quitar
	Entfernen
	Remover
	Rimuovere
	Verwijderen
Retirez	

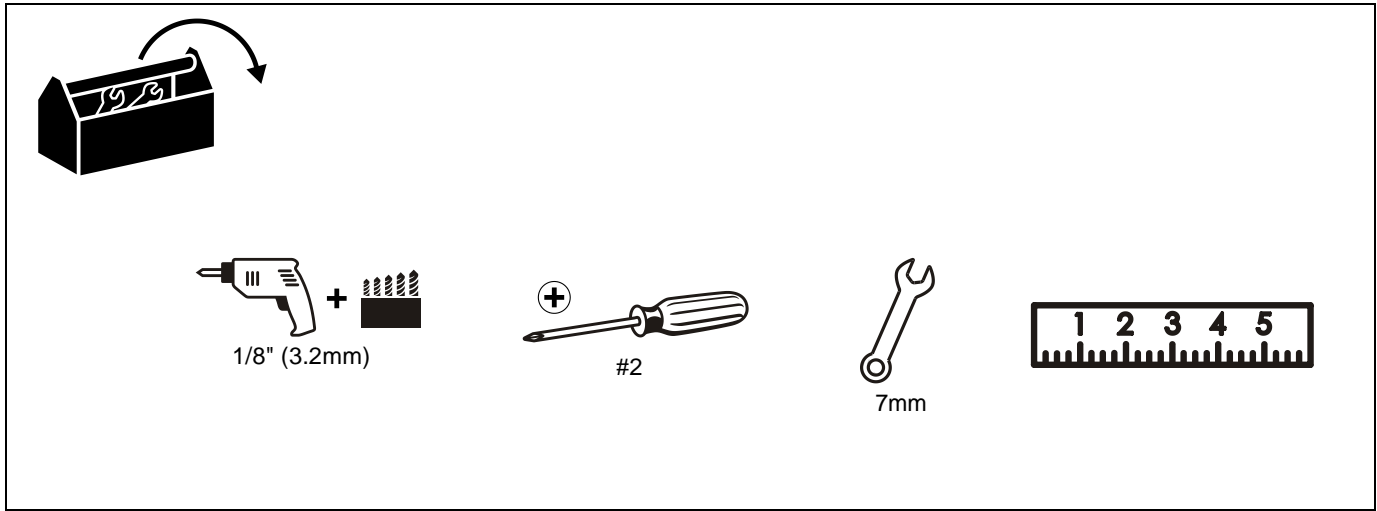
	By Hand
	A mano
	Von Hand
	Com a mão
	A mano
	Met de hand
À la main	

	Optional
	Opcional
	Optional
	Opcional
	Opzionale
	Optie
En option	

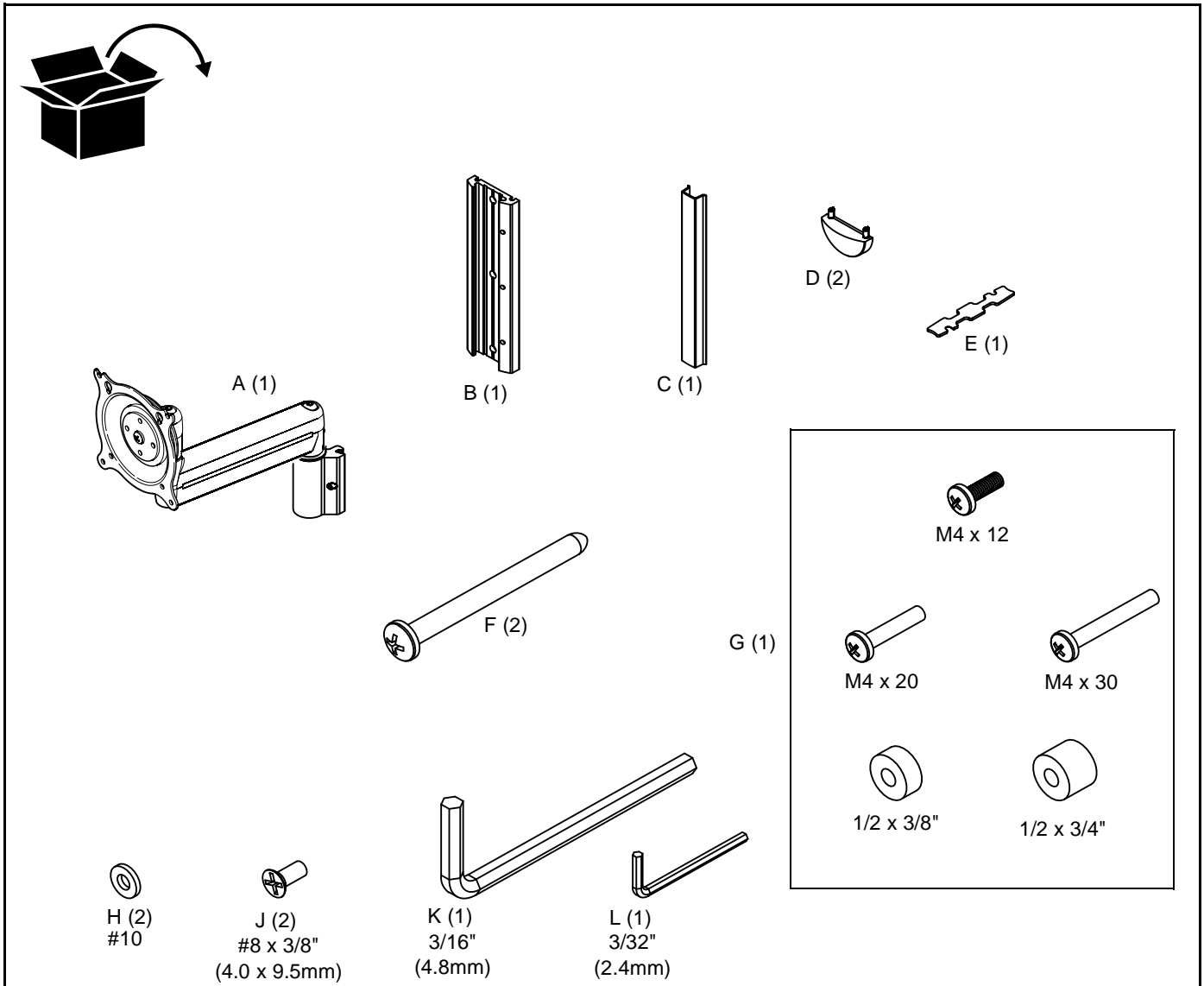
	Hex-Head Wrench
	Llave de cabeza hexagonal
	Sechskantschlüssel
	Chave de cabeça sextavada
	Chiave esagonale
	Zeskantsleutel
Clé à tête hexagonale	

	Security Wrench
	Llave de seguridad
	Sicherheitsschlüssel
	Chave de segurança
	Chiave di sicurezza
	Veiligheidssleutel
Clé de sécurité	

TOOLS REQUIRED FOR INSTALLATION



PARTS



Assembly And Installation

INSTALL WALL PLATE TO WALL

Wood Stud Installation



WARNING: Failure to provide adequate structural strength for this component can result in serious personal injury or damage to equipment! It is the installer's responsibility to make sure the structure to which this component is attached can support five times the combined weight of all equipment. Reinforce the structure as required before installing the component.

1. Level wall plate (B) and mark locations of pilot holes.
2. Drill 1/8" (3.2mm) diameter pilot holes into wood stud.
3. Install screws (F) through wall plate (B) into wood stud.

INSTALL ARM ASSEMBLY TO WALL PLATE

IMPORTANT ! : If installing a display with recessed mounting holes, then proceed to "INSTALL DISPLAY TO ARM ASSEMBLY" *before* installing arm assembly to wall plate.

1. Align arm assembly (A) with wall plate (B) and slide into position.



WARNING: Failure to align hex head screw with hole in wall plate (B) may allow arm assembly (A) to fall, resulting in serious personal injury or damage to equipment! Hex head screw should *fully recede* into arm assembly hole after tightening.

2. Using hex key (T), tighten hex head screw in arm assembly (A) ensuring that screw engages one of three holes in wall plate (B).

NOTE: Three holes are provided in wall plate (B) to provide height adjustment.

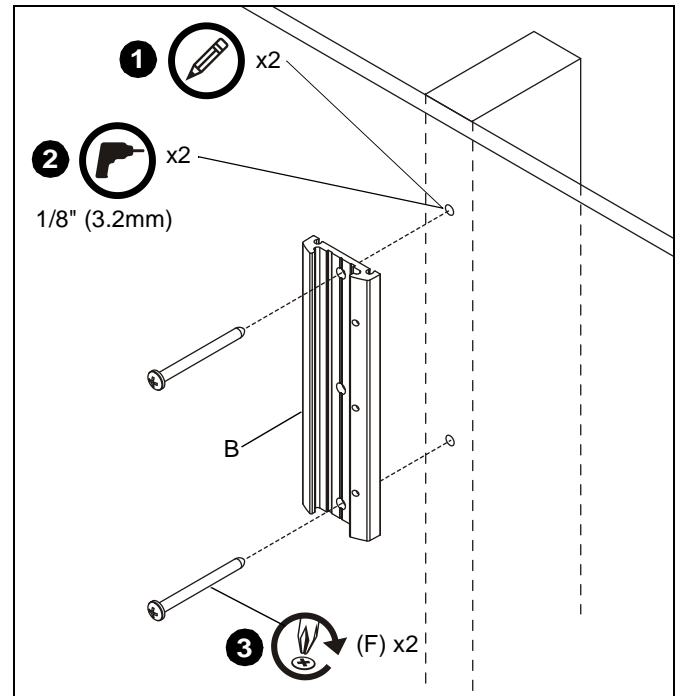


Figure 1

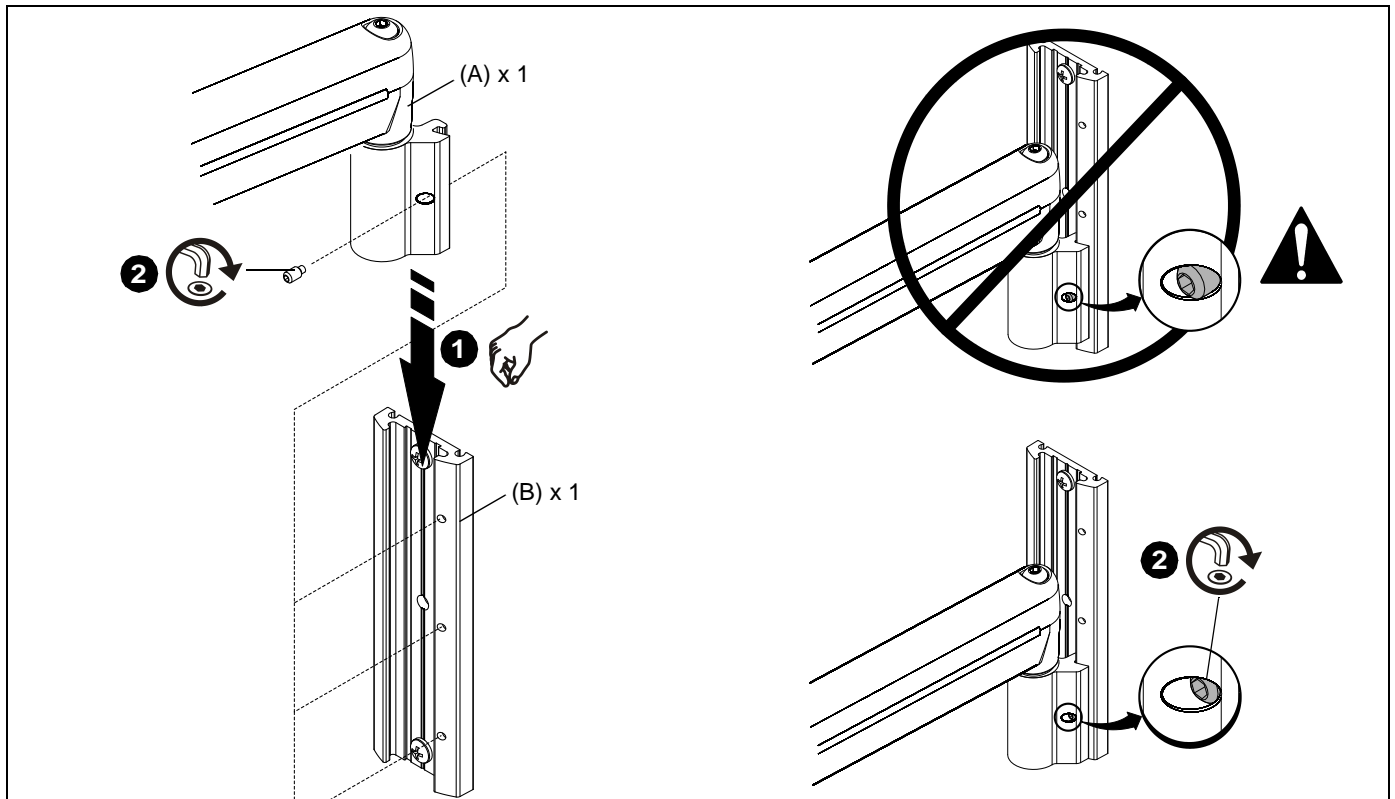


Figure 2

3. Align cover (C) with grooves in wall plate (B) and slide into position.
4. Align caps (D) with holes in wall plate (B) and slide into position.

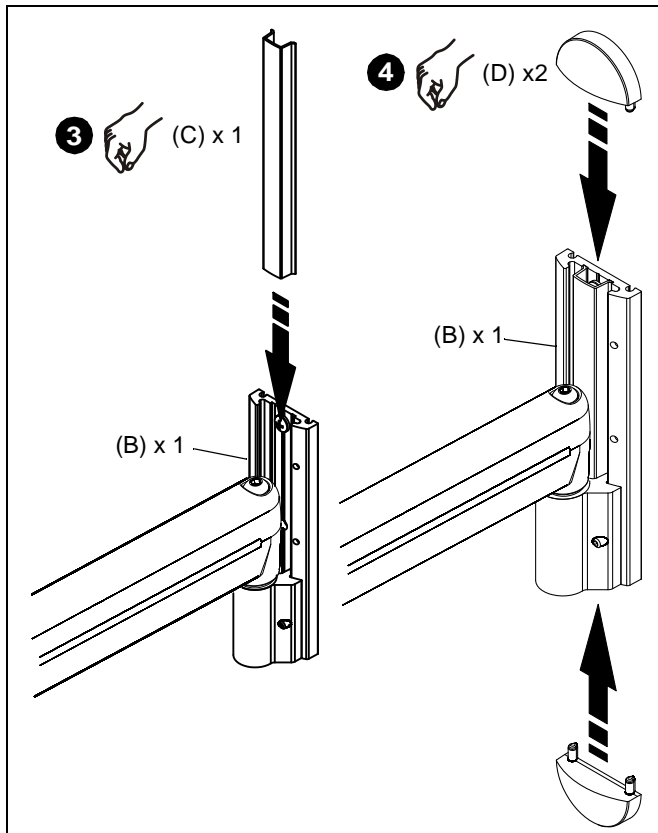


Figure 3

DISPLAY INSTALLATION

ALL MOUNTS

Ensure Centris bracket is able to swivel and tilt easily, yet still be tight enough to hold display in desired position. Adjust as required before proceeding. See "ADJUSTMENTS".

Centris Bracket Orientation

1. Rotate Centris bracket so that 100mm x 100mm mounting cutouts are on top.

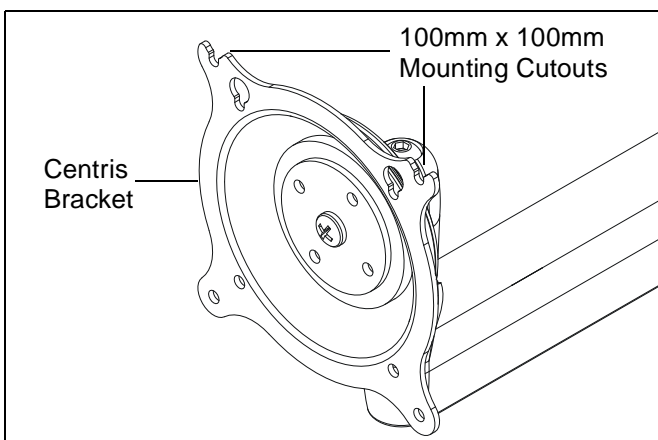


Figure 4

NOTE: If your display has a recessed mounting hole cavity, and Centris bracket will not fit into that cavity, see "MOUNTS REQUIRING SPACERS".



CAUTION: USING SCREWS OF IMPROPER SIZE MAY DAMAGE DISPLAY! Proper screws will easily and completely thread into display mounting holes.



WARNING: INADEQUATE THREAD ENGAGEMENT CAN LEAD TO DISPLAY FALLING CAUSING SERIOUS PERSONAL INJURY OR DAMAGE TO EQUIPMENT! Back out screws ONLY as necessary to allow installation of Centris bracket!

2. Using Phillips screwdriver, install two screws (G) into upper mounting holes on display. Thread screws completely into display, then back out 3-1/2 turns.

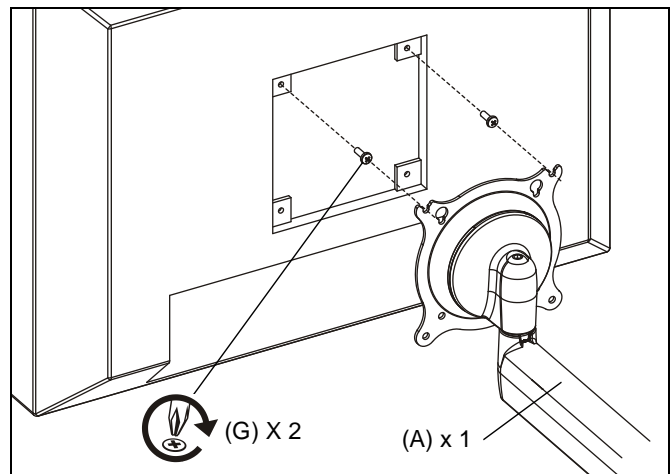


Figure 5

3. Align display so that screws (G) (installed in the previous step) fit into upper 100mm x 100mm mounting cutouts, or upper 75mm x 75mm mounting holes (as applicable) on Centris bracket.
4. Lower display into place.
5. Using Phillips screwdriver, install two remaining screws (G) through lower mounting holes in Centris bracket and into display.

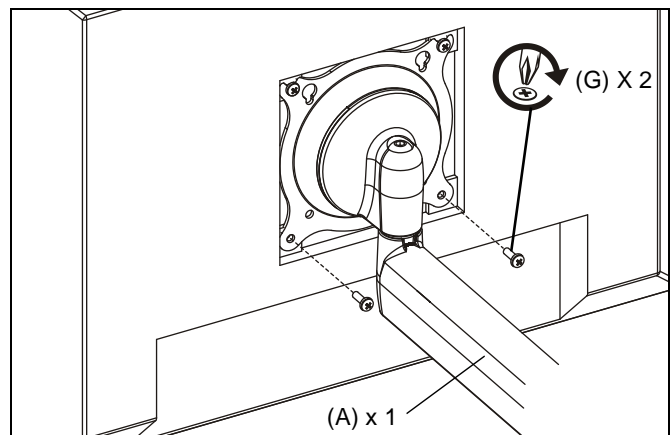


Figure 6

6. Tighten all screws.



CAUTION: OVERTIGHTENING HARDWARE CAN LEAD TO EQUIPMENT DAMAGE! Do not overtighten hardware!

NOTE: Proceed to "CABLE MANAGEMENT."

MOUNTS REQUIRING SPACERS

NOTE: Spacers (G) are only required if the display has a recessed mounting hole cavity, and the Centris bracket will not fit into that cavity.

1. Carefully place display face down on protective surface.
2. Place four spacers (G) over mount holes on display back.

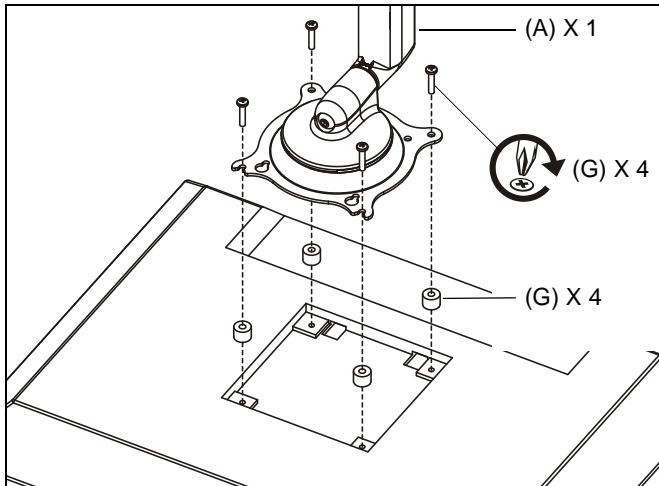


Figure 7

3. Pick up and orient the mount (A) so that the mounting holes in the Centris bracket are aligned with the holes in the spacers (G).



CAUTION: USING SCREWS OF IMPROPER SIZE CAN LEAD TO EQUIPMENT DAMAGE! Proper screws will easily and completely thread into display mounting holes.

4. Using Phillips screwdriver, install four screws (G) through mounting holes/cutouts in Centris bracket, through spacers (G), into display. Tighten all four screws (G).



CAUTION: OVERTIGHTENING HARDWARE CAN LEAD TO EQUIPMENT DAMAGE! Do not overtighten hardware!

CABLE MANAGEMENT

IMPORTANT ! : Ensure that adequate cable slack exists for movement of display, and that cables will not be pinched by installation of cover (E) or screws (J).

1. Carefully insert cables in cavity located in lower portion of mount arm.
2. Using Phillips screwdriver, install cover (90) with two screws (80).

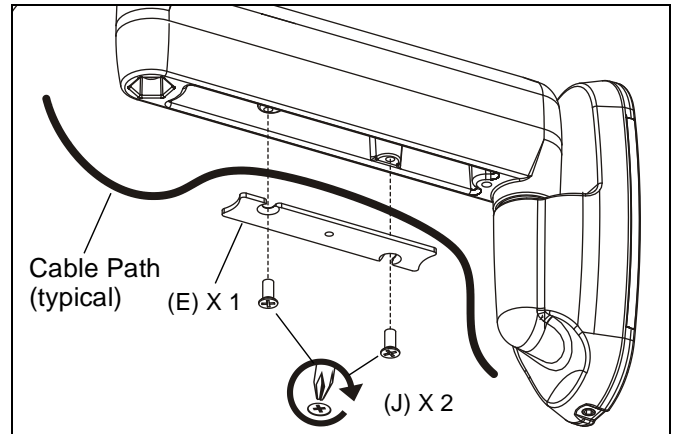


Figure 8

ADJUSTMENTS

Display ROLL/PITCH/YAW Tension Adjustment

1. If previously attached, disconnect cables from display, and remove display.
2. Using Phillips screwdriver, slightly loosen or tighten adjustment screw as necessary.

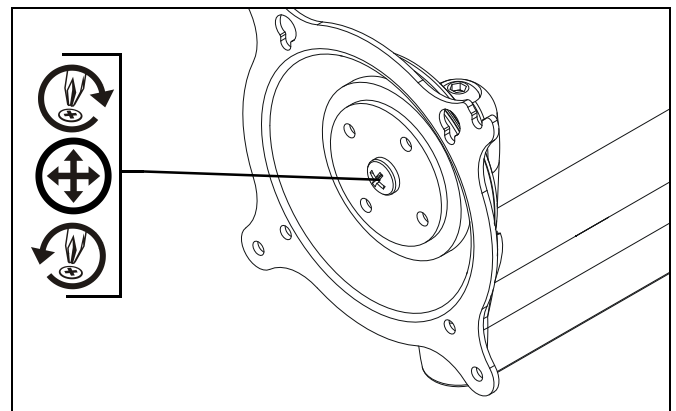


Figure 9 Centris Head Adjustment

Swing Arm PIVOT/SWING Tension Adjustment

Using key (K), slightly loosen or tighten adjustment screw(s) as necessary.

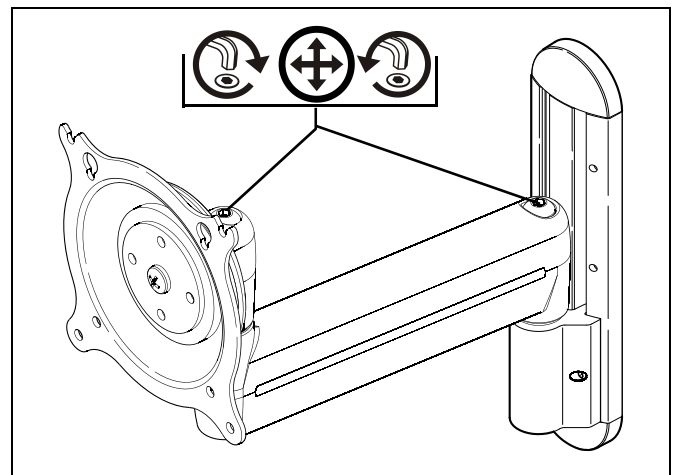


Figure 10



8832-000194
©2006 Chief Manufacturing
www.chiefmfg.com
11/06

USA/International	A 8401 Eagle Creek Parkway, Savage, MN 55378 P 800.582.6480 / 952.894.6280 F 877.894.6918 / 952.894.6918
Europe	A Fellenoord 130 5611 ZB EINDHOVEN, The Netherlands P +31 (0)40 2668620 F +31 (0)40 2668615
Asia Pacific	A Room 30I, Block D, Lily YinDu International Building LuoGang, BuJi Town, Shenzhen, CHINA. Post Code: 518112 深圳市布吉罗岗百合银都国际大厦D栋30I P +86-755-8996 9226 ; 8996 9236 ; 8996 9220 F +86-755-8996 9217