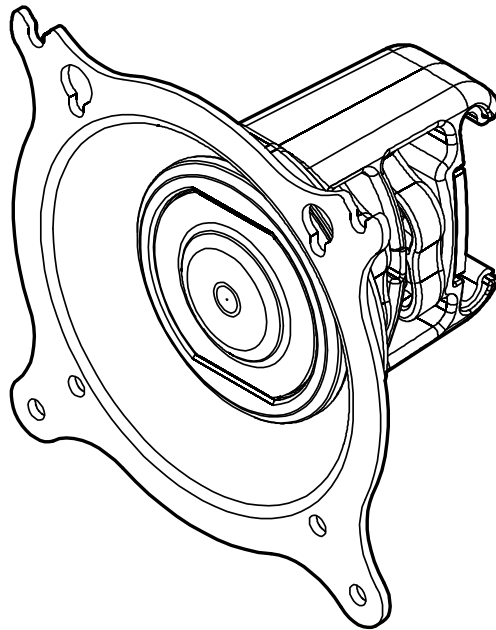


---

# INSTALLATION INSTRUCTIONS

---



---

## Array Centris Accessory


---


## DISCLAIMER


Milestone AV Technologies, Inc., and its affiliated corporations and subsidiaries (collectively, "Milestone"), intend to make this manual accurate and complete. However, Milestone makes no claim that the information contained herein covers all details, conditions or variations, nor does it provide for every possible contingency in connection with the installation or use of this product. The information contained in this document is subject to change without notice or obligation of any kind. Milestone makes no representation of warranty, expressed or implied, regarding the information contained herein. Milestone assumes no responsibility for accuracy, completeness or sufficiency of the information contained in this document.


Chief® and Centris™ are trademarks of Milestone AV Technologies. All rights reserved.


## IMPORTANT WARNINGS AND CAUTIONS!

 **WARNING:** A WARNING alerts you to the possibility of serious injury or death if you do not follow the instructions.


 **CAUTION:** A CAUTION alerts you to the possibility of damage or destruction of equipment if you do not follow the corresponding instructions.

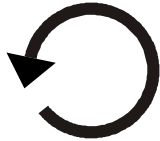
 **WARNING:** Failure to read, thoroughly understand, and follow all instructions can result in serious personal injury, damage to equipment, or voiding of factory warranty! It is the installer's responsibility to make sure all components are properly assembled and installed using the instructions provided.


 **WARNING:** Failure to provide adequate structural strength for the installation of this kit can result in serious personal injury or damage to equipment! It is the installer's responsibility to make sure the structure to which this mount is attached can support five times the combined weight of all equipment.


 **WARNING:** Exceeding the weight capacity can result in serious personal injury or damage to equipment! See the installation instructions that came with the array onto which this accessory is being installed for weight limits. The accessory's weight capacity is 40 lbs (18.1 kg).

## LEGEND

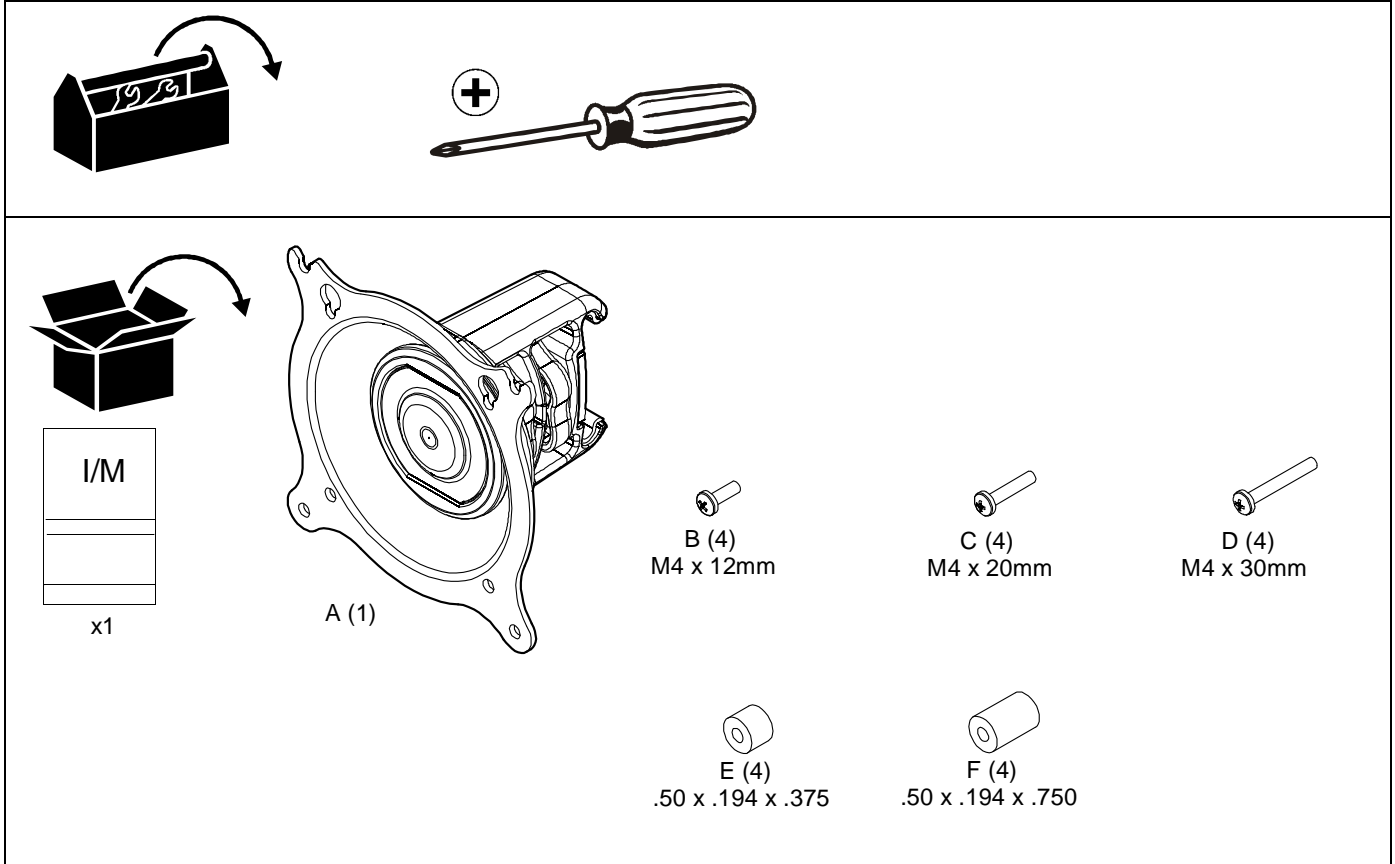
	<b>Tighten Fastener</b>
	Apretar elemento de fijación
	Befestigungsteil festziehen
	Apertar fixador
	Serrare il fissaggio
	Bevestiging vastdraaien
	Serrez les fixations
Сожмите Застежку	

	<b>Loosen Fastener</b>
	Aflojar elemento de fijación
	Befestigungsteil lösen
	Desapertar fixador
	Allentare il fissaggio
	Bevestiging losdraaien
	Desserrez les fixations
Ослабьте Застежку	

	<b>Adjust</b>
	Ajustar
	Einstellen
	Ajustar
	Regolare
	Afstellen
	Ajuster
Приспособьтесь	

	<b>Hex-Head Wrench</b>
	Llave de cabeza hexagonal
	Sechskantschlüssel
	Chave de cabeça sextavada
	Chiave esagonale
	Zeskantsleutel
	Clé à tête hexagonale
Главный вѣдьмой Рывок	

**TOOLS REQUIRED FOR INSTALLATION AND PARTS**



## ASSEMBLY and INSTALLATION

The following procedure assumes a base and pole have been purchased and are available. The procedure also assumes that no displays are mounted to the array.

1. Assemble pole and base following instructions included with those kits.
2. Slide display with Centris bracket onto mounting rail. (See Figure 1)

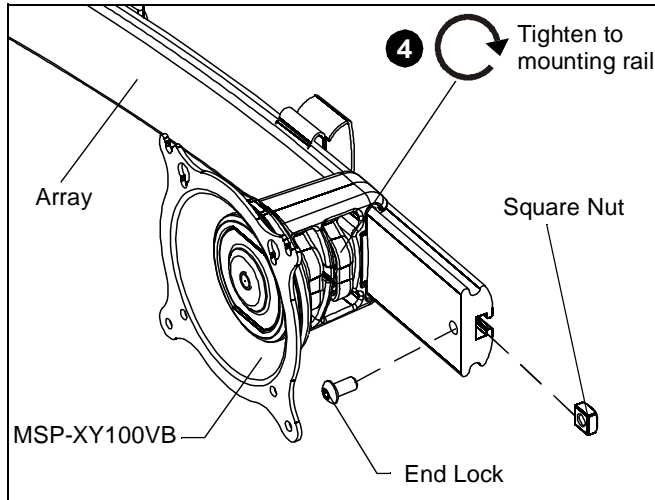


Figure 1

3. Install end locks into mounting rail. (See Figure 1)
4. Tighten inner knob to tighten array head to mounting rail.
5. Determine mounting pattern on display.

**WARNING:** IMPROPER INSTALLATION CAN LEAD TO EQUIPMENT FALLING CAUSING SERIOUS PERSONAL INJURY AND DAMAGE TO EQUIPMENT! DO NOT substitute hardware. Use only hardware supplied by manufacturer!

**WARNING:** IMPROPER INSTALLATION CAN LEAD TO ELECTRIC SHOCK OR DAMAGE TO EQUIPMENT! Screw length must not exceed the depth of threaded mounting insert in display.

**WARNING:** IMPROPER INSTALLATION CAN LEAD TO DISPLAY FALLING CAUSING SERIOUS PERSONAL INJURY OR DAMAGE TO EQUIPMENT! Using screws of improper size may damage your display! Proper screws will easily and completely thread into display mounting holes. Ensure that screws are not too long.

**WARNING:** IMPROPER INSTALLATION CAN LEAD TO DISPLAY FALLING CAUSING SERIOUS PERSONAL INJURY OR DAMAGE TO EQUIPMENT! Inadequate thread engagement in display may cause display to fall! Back out screws ONLY as necessary to allow installation of mounting plate!

**WARNING:** IMPROPER INSTALLATION CAN LEAD TO DISPLAY FALLING CAUSING SERIOUS PERSONAL INJURY OR DAMAGE TO EQUIPMENT! Support and arrange existing monitors or devices along with those being installed to ensure an overall balanced weight distribution. This is especially important in free-standing units.

### Display Installation - Flush Mount Display

1. Start two M4 x 12mm Phillips pan head screws (B) into upper mounting holes in display back. (See Figure 2)

**NOTE:** Leave at least 1/8" of each screw protruding out back of display.

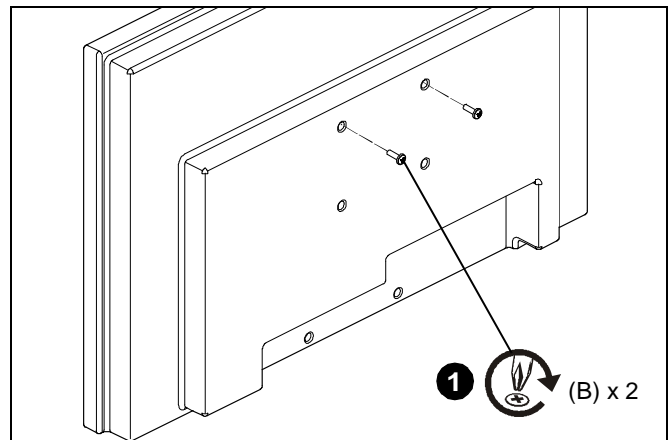


Figure 2

2. Align two screws in display back with upper teardrop mounting holes in MSP-XY100VB.
3. Place two screws in display back into upper teardrop mounting holes in MSP-XY100VB and lower display until screws are seated in lower area of teardrop mounting holes. (See Figure 3)
4. Install two screws through display mounting plate and into lower mounting holes in display back. (See Figure 3)

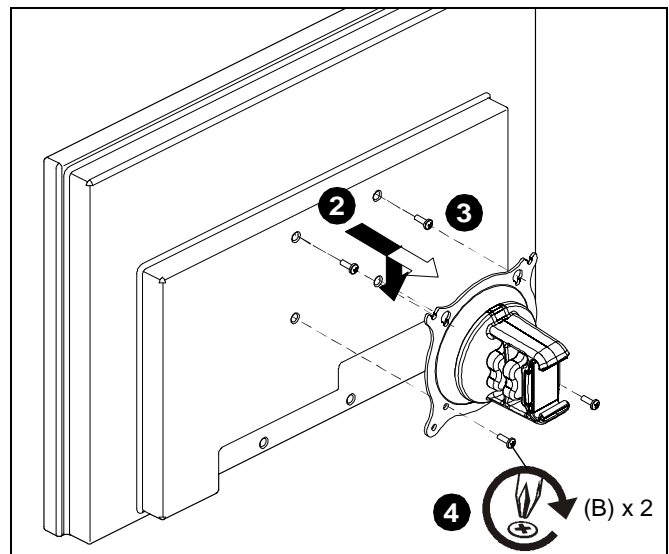


Figure 3

5. Tighten all hardware.

### Display Installation - Recessed Mount Display

1. Secure display to Centris head using four 3/8" (E) or 3/4" (F) nylon spacers, and four M4 x 20mm (C) or four M4 x 30mm (D) Phillips pan head screws into four mounting holes in display back. (See Figure 4)

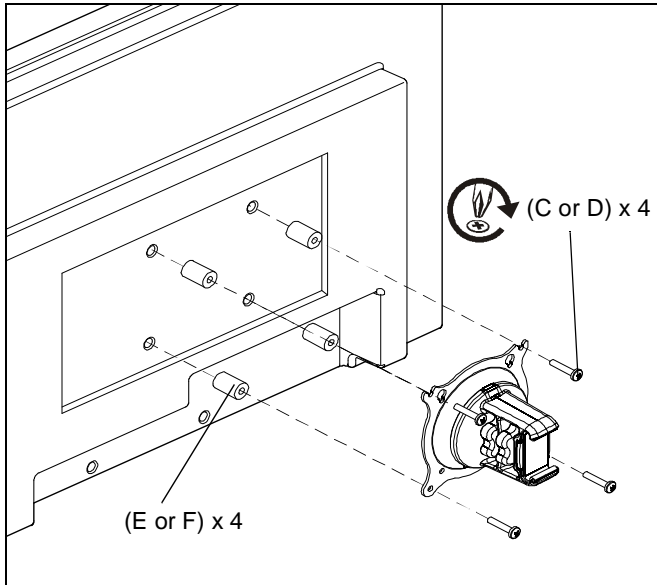


Figure 4

### Adjustments

1. Tighten the outer knob to adjust pitch tension. (See Figure 5)

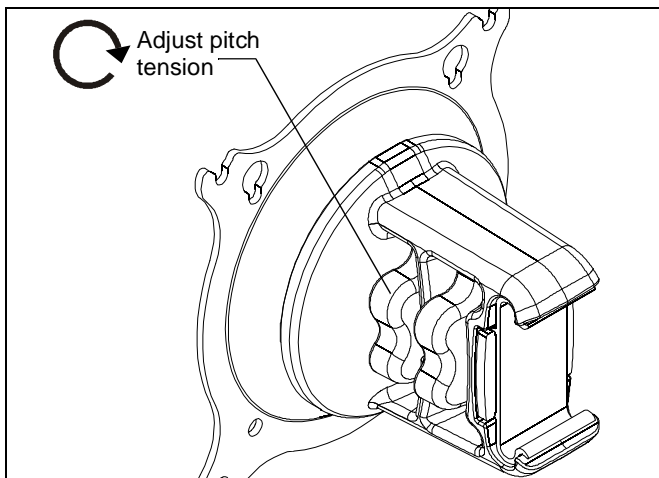


Figure 5







Our Mounts. **Your Vision.**

Chief Manufacturing, a division of  
Milestone AV Technologies

8832-000258

©2008 Milestone AV Technologies

[www.chiefmfg.com](http://www.chiefmfg.com)

07/08

**USA/International** A 8401 Eagle Creek Parkway, Savage, MN 55378  
P 800.582.6480 / 952.894.6280

F 877.894.6918 / 952.894.6918

**Europe** A Fellenoord 130 5611 ZB EINDHOVEN, The Netherlands

P +31 (0)40 2668620

F +31 (0)40 2668615

**Asia Pacific** A Room 24F, Block D, Lily YinDu International Building  
LuoGang, BuJi Town, Shenzhen, CHINA.

深圳市布吉罗岗村百合银都国际大厦D栋24F

P +86-755-8996 9226

F +86-755-8996 9217

