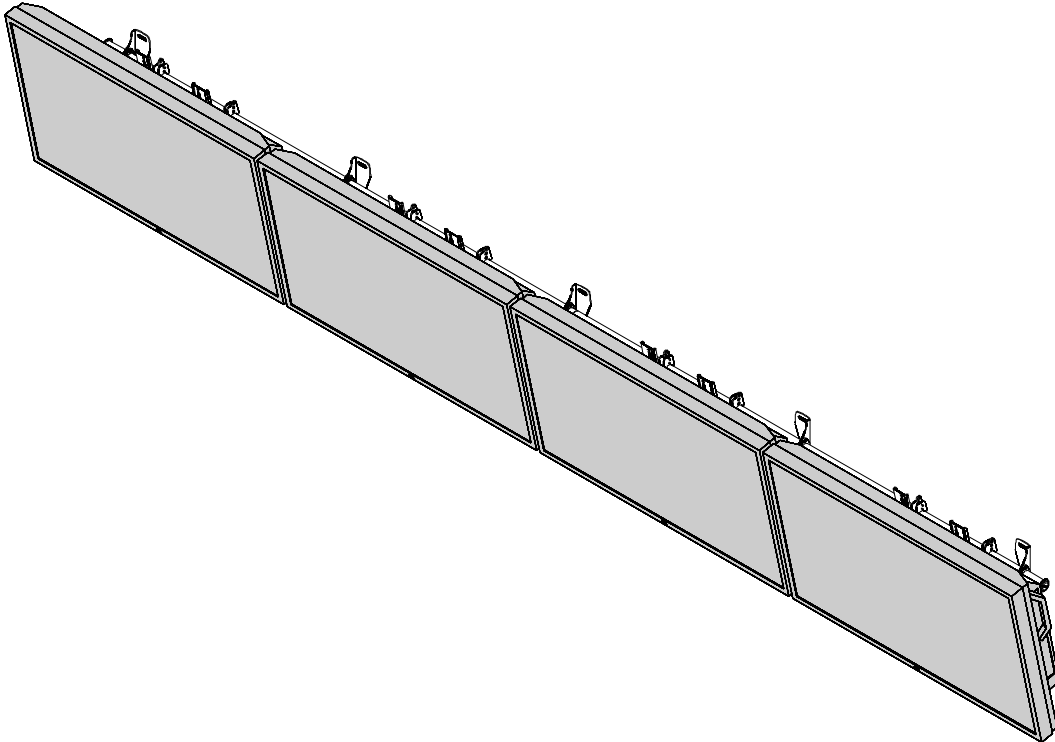

INSTALLATION INSTRUCTIONS



FOUR/FIVE SCREEN ARRAY ACCESSORY

DISCLAIMER

Milestone AV Technologies, and its affiliated corporations and subsidiaries (collectively "Milestone"), intend to make this manual accurate and complete. However, Milestone makes no claim that the information contained herein covers all details, conditions or variations, nor does it provide for every possible contingency in connection with the installation or use of this product. The information contained in this document is subject to change without notice or obligation of any kind. Milestone makes no representation of warranty, expressed or implied, regarding the information contained herein. Milestone assumes no responsibility for accuracy, completeness or sufficiency of the information contained in this document.

Chief® is a registered trademark of Milestone AV Technologies. All rights reserved.

! IMPORTANT WARNINGS AND CAUTIONS!

! WARNING: A WARNING alerts you to the possibility of serious injury or death if you do not follow the instructions.

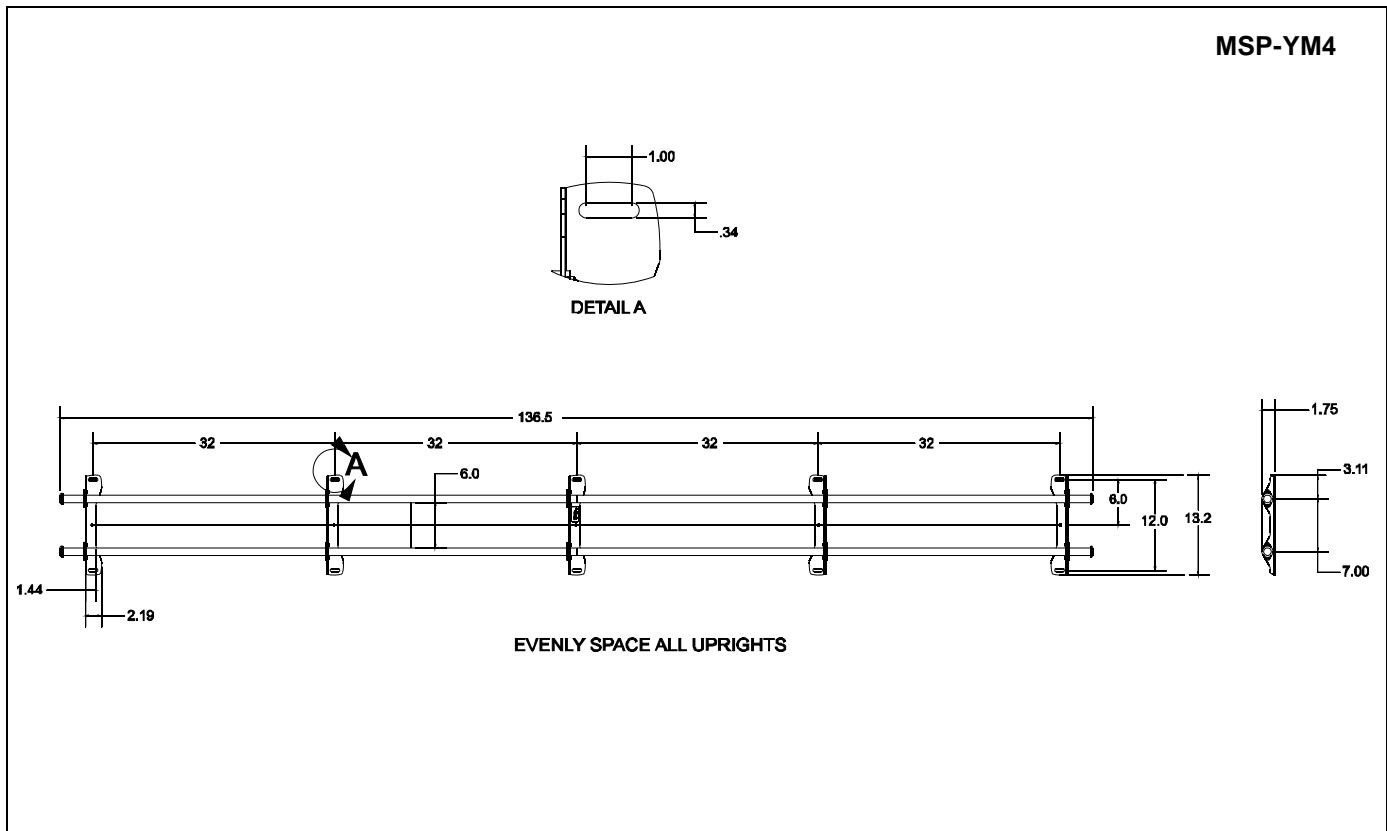
! CAUTION: A CAUTION alerts you to the possibility of damage or destruction of equipment if you do not follow the corresponding instructions.

! WARNING: Failure to read, thoroughly understand, and follow all instructions can result in serious personal injury, damage to equipment, or voiding of factory warranty! It is the installer's responsibility to make sure all components are properly assembled and installed using the instructions provided.

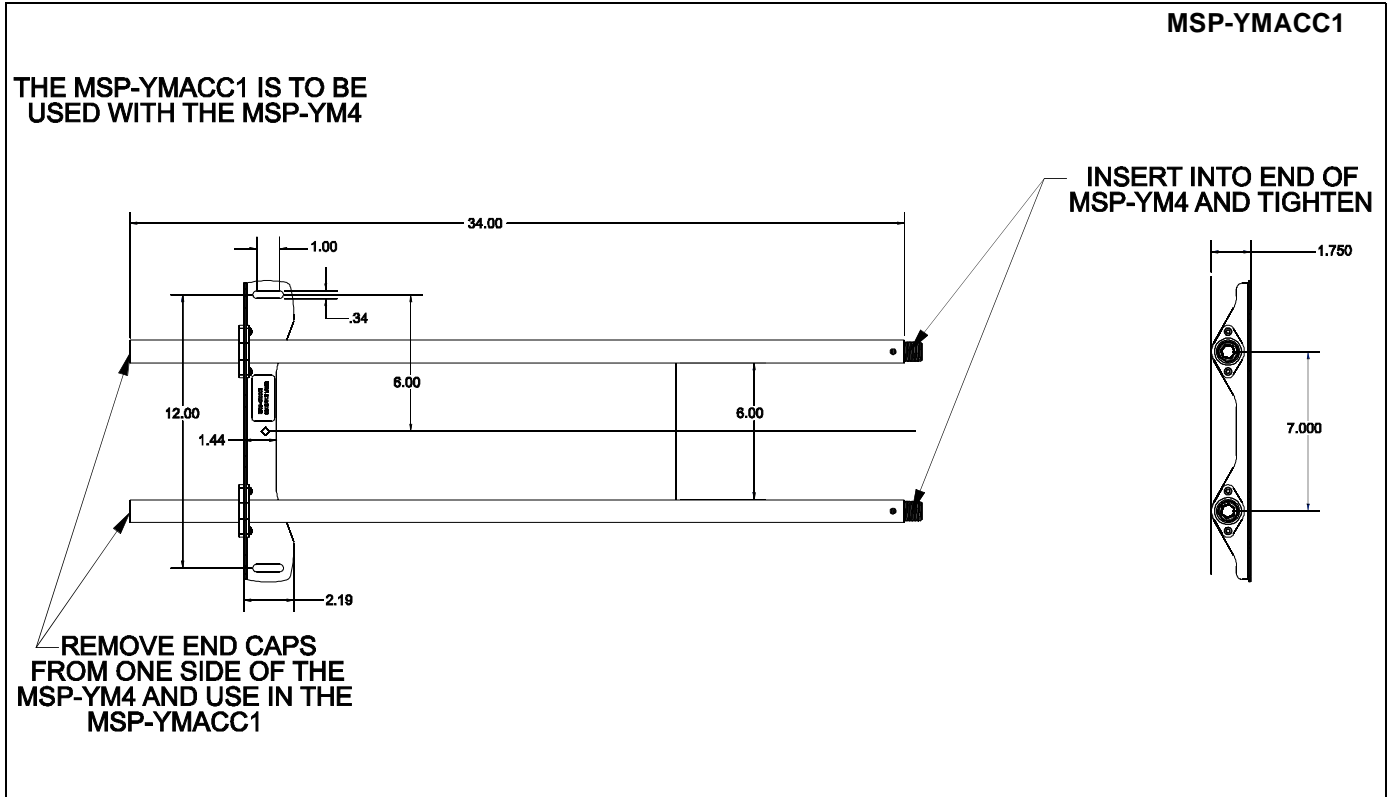
! WARNING: Failure to provide adequate structural strength for this component can result in serious personal injury or damage to equipment! It is the installer's responsibility to make sure the structure to which this component is attached can support five times the combined weight of all equipment. Reinforce the structure as required before installing the component.

! WARNING: Exceeding the weight capacity can result in serious personal injury or damage to equipment! It is the installer's responsibility to make sure the combined weight of all components located between the MSP-YM4 up to (and including) the displays does not exceed 300 lbs (136.1 kg) [not to exceed 75 lbs (34.0 kg) for the MSP-YMACC1].

DIMENSIONS



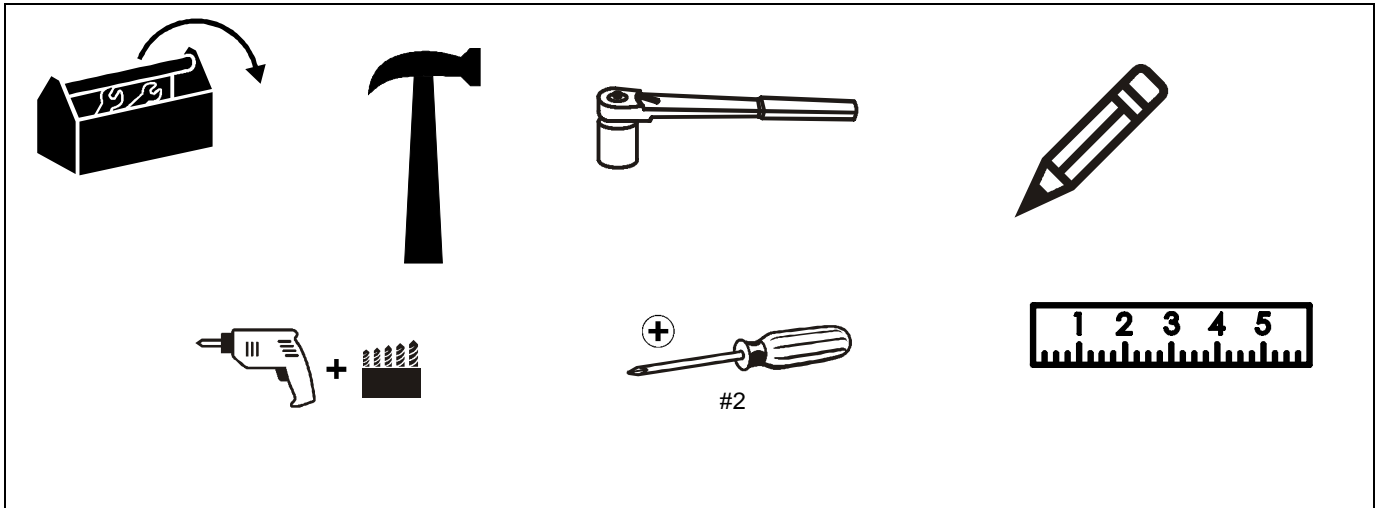
DIMENSIONS...cont'd



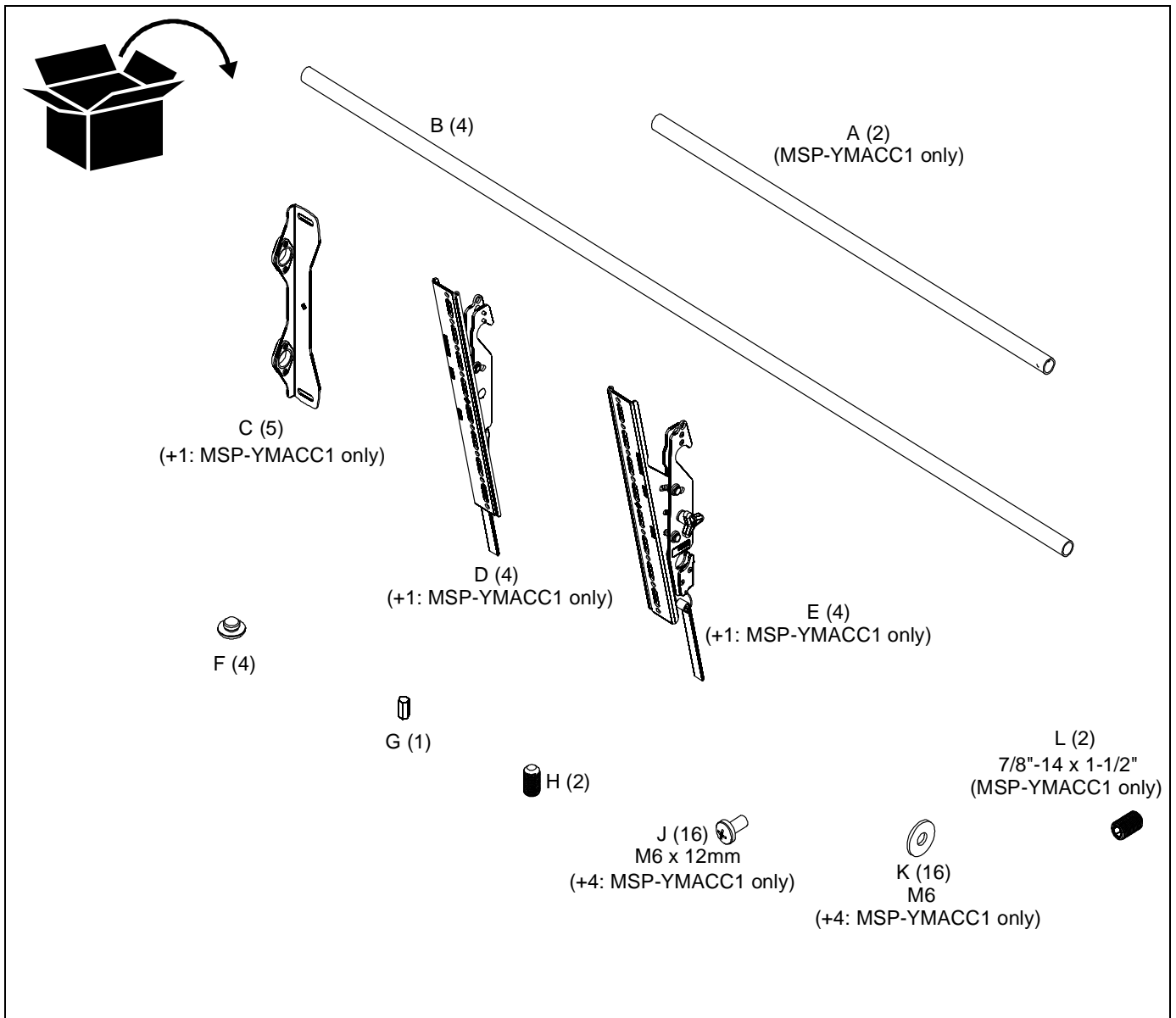
LEGEND

	<p>Tighten Fastener</p> <p>Apretar elemento de fijación</p> <p>Befestigungsteil festziehen</p> <p>Apertar fixador</p> <p>Serrare il fissaggio</p> <p>Bevestiging vastdraaien</p> <p>Serrez les fixations</p>		<p>Pencil Mark</p> <p>Marcar con lápiz</p> <p>Stiftmarkierung</p> <p>Marcar com lápis</p> <p>Segno a matita</p> <p>Potloodmerkten</p> <p>Marquage au crayon</p>
	<p>Loosen Fastener</p> <p>Aflojar elemento de fijación</p> <p>Befestigungsteil lösen</p> <p>Desapertar fixador</p> <p>Allentare il fissaggio</p> <p>Bevestiging losdraaien</p> <p>Desserrez les fixations</p>		<p>Drill Hole</p> <p>Perforar</p> <p>Bohrloch</p> <p>Fazer furo</p> <p>Praticare un foro</p> <p>Gat boren</p> <p>Percez un trou</p>
	<p>Phillips Screwdriver</p> <p>Destornillador Phillips</p> <p>Kreuzschlitzschraubendreher</p> <p>Chave de fendas Phillips</p> <p>Cacciavite a stella</p> <p>Kruiskopschroevendraaier</p> <p>Tournevis à pointe cruciforme</p>		

TOOLS REQUIRED FOR INSTALLATION



PARTS



INSTALLATION

Locate Mounting Site



WARNING: IMPROPER INSTALLATION CAN LEAD TO MOUNT FALLING CAUSING SEVERE PERSONAL INJURY OR DAMAGE TO EQUIPMENT! It is the installers responsibility to make certain the structure to which the mount is being attached is capable of supporting five times the combined weight of all components located between the MSP-YM4 up to (and including) the displays [not to exceed 300 lbs (136.1 kg) for the MSP-YM4, and not to exceed 75 lbs (34.0 kg) for the MSP-YMACC1].

Preparing Rails

- Using the mount connector allen key (G), connect two rails (B) by turning the rail connector (H) half way into one end of the rail. (See Figure 1)

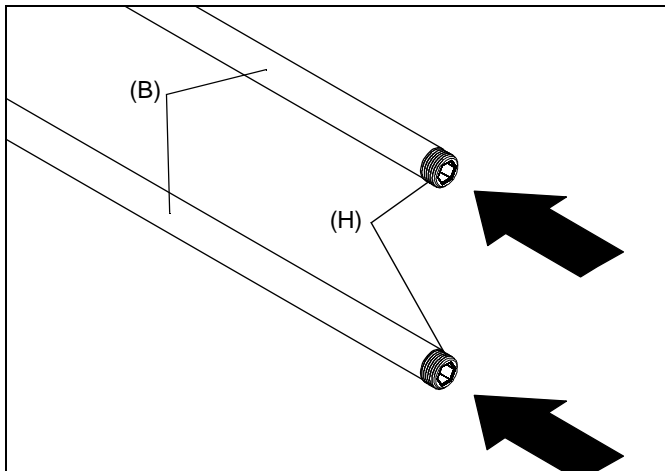


Figure 1

- Connect a second rail (B) to the first rail by connecting it to the rail connector (H) extending from the end of the first rail. (See Figure 2)
- Tighten until the rail connector (G) is no longer visible.
- Repeat with the remaining two rails (B).

NOTE: If installing the MSP-YMACC1, insert set screw (L) half way into the end of rail (A), and then connect to rail (B). Repeat if using both rails (B).

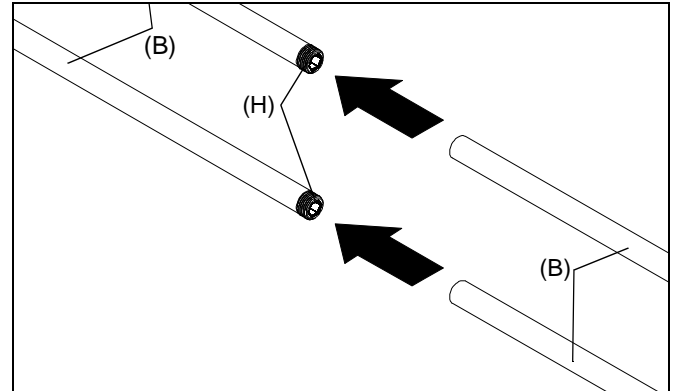


Figure 2

- Place five wall brackets (C) onto rails. (See Figure 3)

NOTE: Use the sixth wall bracket for MSP-YMACC1.

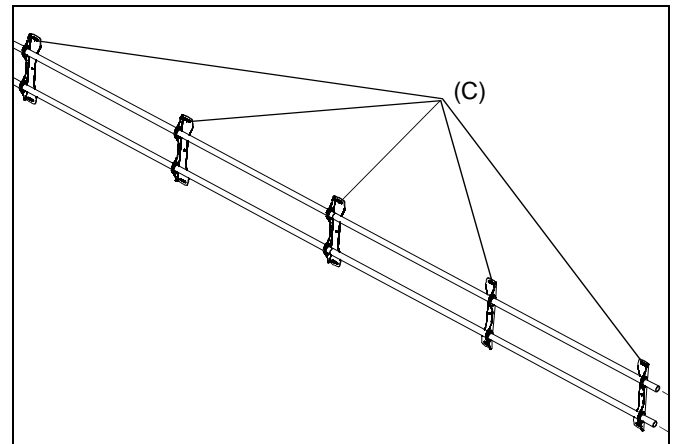


Figure 3

- Add a rail end cap (F) to both ends of each rail. (See Figure 4)

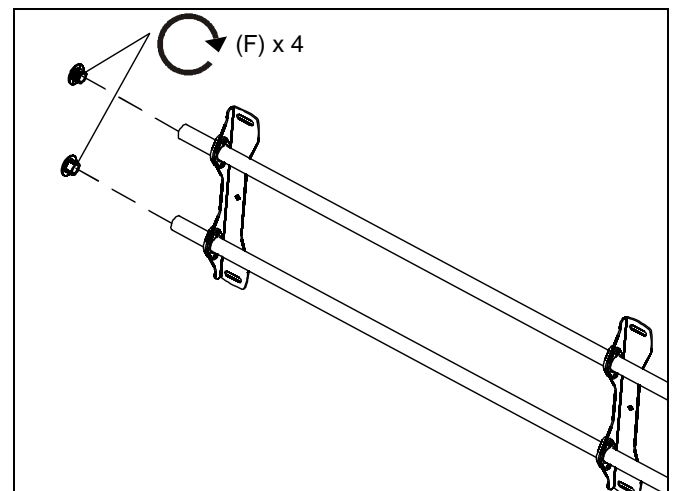


Figure 4

Installing to Wall

1. Determine where the center of the array should be located on the wall.
2. Line up the diamond on bracket with center of array marking to determine vertical center. (See Figure 5)
3. Measure up 6" from the center point to mark location of the upper mounting slot.

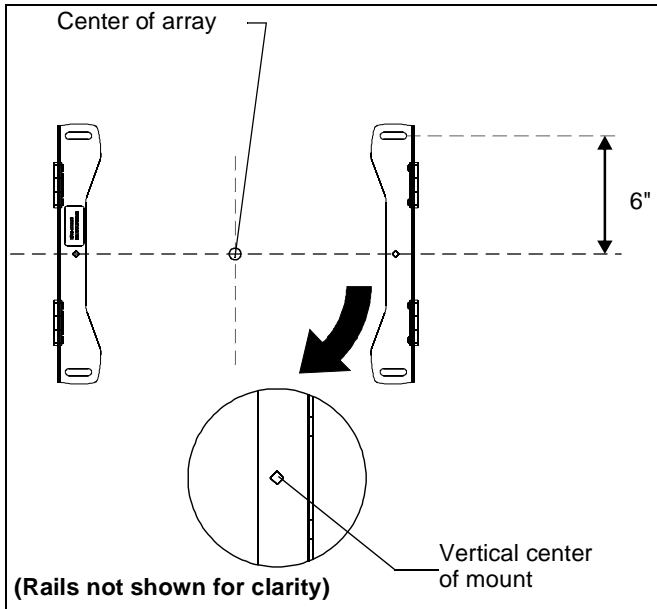


Figure 5

⚠ WARNING: ELECTRICAL SHOCK HAZARD! CUTTING OR DRILLING INTO ELECTRICAL CORDS OR CABLES CAN CAUSE DEATH OR SERIOUS PERSONAL INJURY! ALWAYS make certain area behind mounting surface is free of electrical wires and cables before drilling or installing fasteners.

⚠ WARNING: EXPLOSION AND FIRE HAZARD! CUTTING OR DRILLING INTO GAS PLUMBING CAN CAUSE DEATH OR SERIOUS PERSONAL INJURY! ALWAYS make certain area behind mounting surface is free of gas, water, waste, or any other plumbing before cutting, drilling, or installing fasteners.

4. Drill one pilot hole in the mounting location.
5. Use fasteners appropriate for the building materials to attach the middle bracket to the wall through the upper mounting hole. (See Figure 6)

NOTE: It is best to start with the center bracket, and work outward from the center point in both directions.

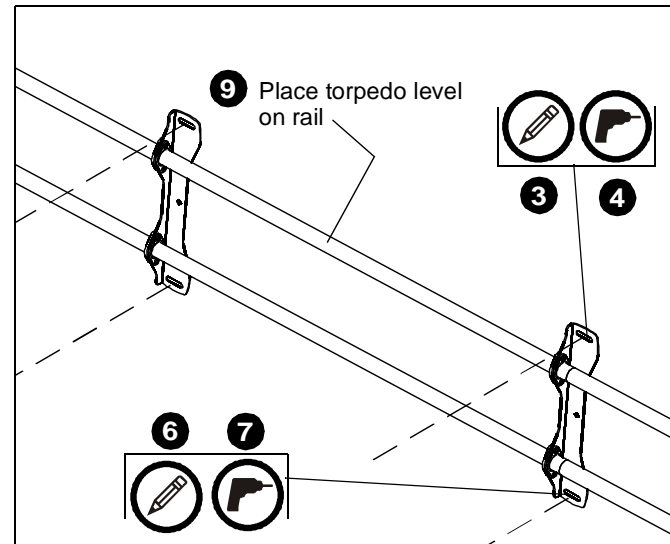


Figure 6

6. Mark the attachment point for the lower mounting slot. (See Figure 6)
7. Drill pilot hole at marking for lower mounting hole. (See Figure 6)
8. Use fasteners appropriate for the building materials to attach the middle bracket to the wall through the lower mounting hole. (See Figure 6)
9. Using a torpedo level on the rail, mark the wall for location of additional four (five for MSP-YMACC1) wall brackets, spreading them evenly across the space.
10. Attach additional brackets to the wall through the upper and lower mounting slots. (See Figure 6)

Attaching Interface Brackets to TV

1. Align the center of the interface bracket with center of screen. (See Figure 5)

NOTE: The diamond-shaped hole in the bracket corresponds to the center of the mount.

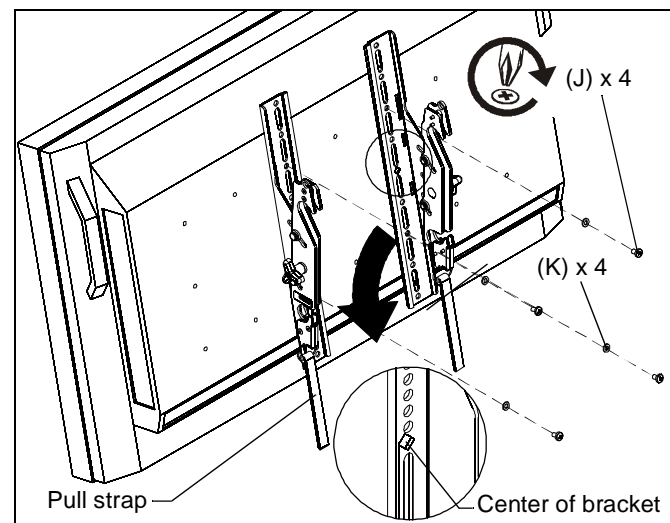


Figure 7



WARNING: IMPROPER INSTALLATION CAN LEAD TO DISPLAY FALLING CAUSING SERIOUS PERSONAL INJURY OR DAMAGE TO EQUIPMENT! Using screws of improper size may damage your display. Use screws provided with this product.

2. Attach brackets to back of screen using four M6 x 12mm Phillips head screws (J) and four M6 flat washers (K) for each screen. (See Figure 7)

Attaching Screens to Wall Mount

1. Adjust Velcro® pull strap (if necessary) so it does not extend beyond bottom of screen. (See Figure 8)
2. Hang top hook of interface brackets onto the top rail of the mount. (See Figure 8)

NOTE: The screen initially installs into the "kickstand mode" to allow easy cable access.

3. Slide screens and rails to desired viewing position.
4. Route cables between wall and rails.



CAUTION: PINCH POINTS! Keep fingers, hands and cables out of pinch point areas.

5. Pull downward on the pull straps and swing inward toward wall, latching interface brackets to lower rail and locking bottom of screen to the mount. (See Figure 8)

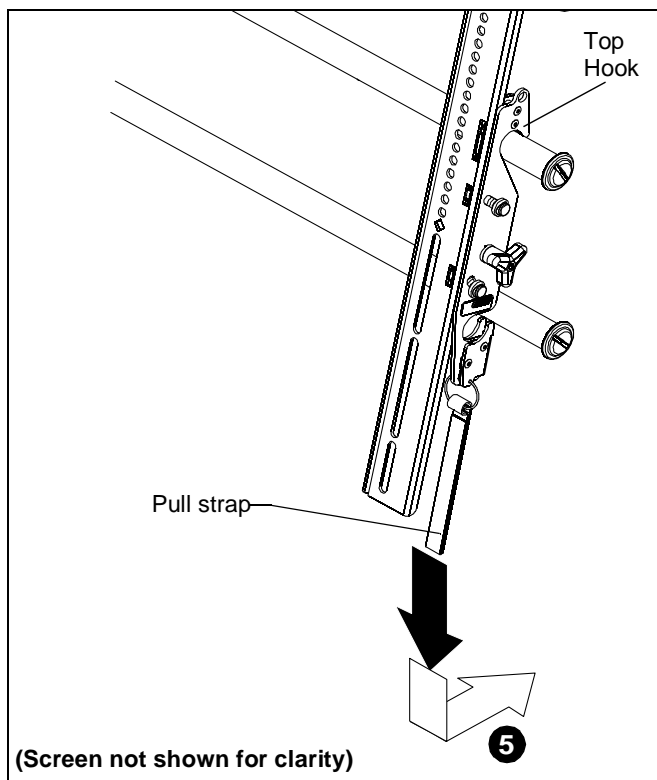


Figure 8



Our Mounts. **Your Vision.**
Chief Manufacturing, a division of
Milestone AV Technologies

8805-000258
©2008 Milestone AV Technologies
www.chiefmfg.com
10/08

USA/International	A 8401 Eagle Creek Parkway, Savage, MN 55378 P 800.582.6480 / 952.894.6280 F 877.894.6918 / 952.894.6918
Europe	A Fellenoord 130 5611 ZB EINDHOVEN, The Netherlands P +31 (0)40 2668620 F +31 (0)40 2668615
Asia Pacific	A Room 24F, Block D, Lily YinDu International Building LuoGang, BuJi Town, Shenzhen, CHINA. 深圳市布吉罗岗村百合银都国际大厦D栋24F P +86-755-8996 9226 F +86-755-8996 9217

