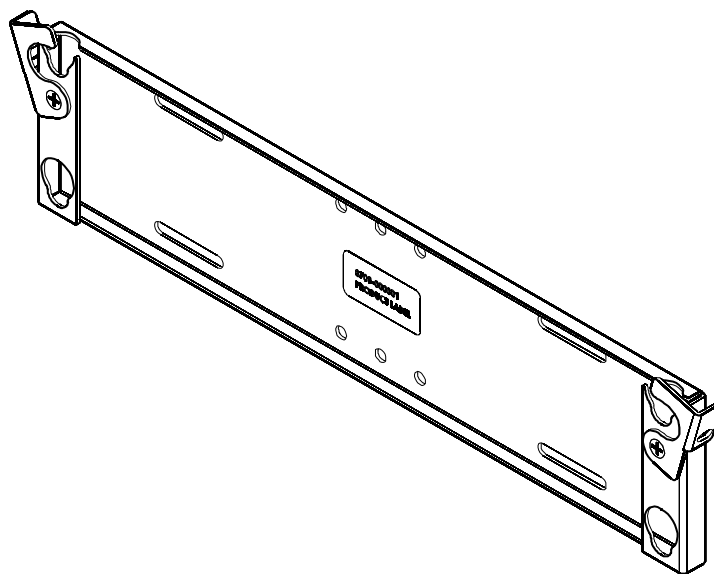

INSTALLATION INSTRUCTIONS



ZVOX Speaker Mount

DISCLAIMER

Milestone AV Technologies and its affiliated corporations and subsidiaries (collectively "Milestone"), intend to make this manual accurate and complete. However, Milestone makes no claim that the information contained herein covers all details, conditions or variations, nor does it provide for every possible contingency in connection with the installation or use of this product. The information contained in this document is subject to change without notice or obligation of any kind. Milestone makes no representation of warranty, expressed or implied, regarding the information contained herein. Milestone assumes no responsibility for accuracy, completeness or sufficiency of the information contained in this document.

Chief® is a registered trademark of Milestone AV Technologies. All rights reserved.

! IMPORTANT WARNINGS AND CAUTIONS!

! WARNING: A WARNING alerts you to the possibility of serious injury or death if you do not follow the instructions.

! CAUTION: A CAUTION alerts you to the possibility of damage or destruction of equipment if you do not follow the corresponding instructions.

! WARNING: Failure to read, thoroughly understand, and follow all instructions can result in serious personal injury, damage to equipment, or voiding of factory warranty! It is the installer's responsibility to make sure all components are properly assembled and installed using the instructions provided.

! WARNING: Failure to provide adequate structural strength for this component can result in serious personal injury or damage to equipment! It is the installer's responsibility to make sure the structure to which this component is attached can support five times the combined weight of all equipment. Reinforce the structure as required before installing the component. The wall to which the mount is being attached may have a maximum drywall thickness of 5/8" (1.6cm). Do not install drywall anchors into the seam between drywall pieces.

! WARNING: Exceeding the weight capacity can result in serious personal injury or damage to equipment! It is the installer's responsibility to make sure the combined weight of all components attached to this accessory does not exceed 30 lbs (13.61 kg).

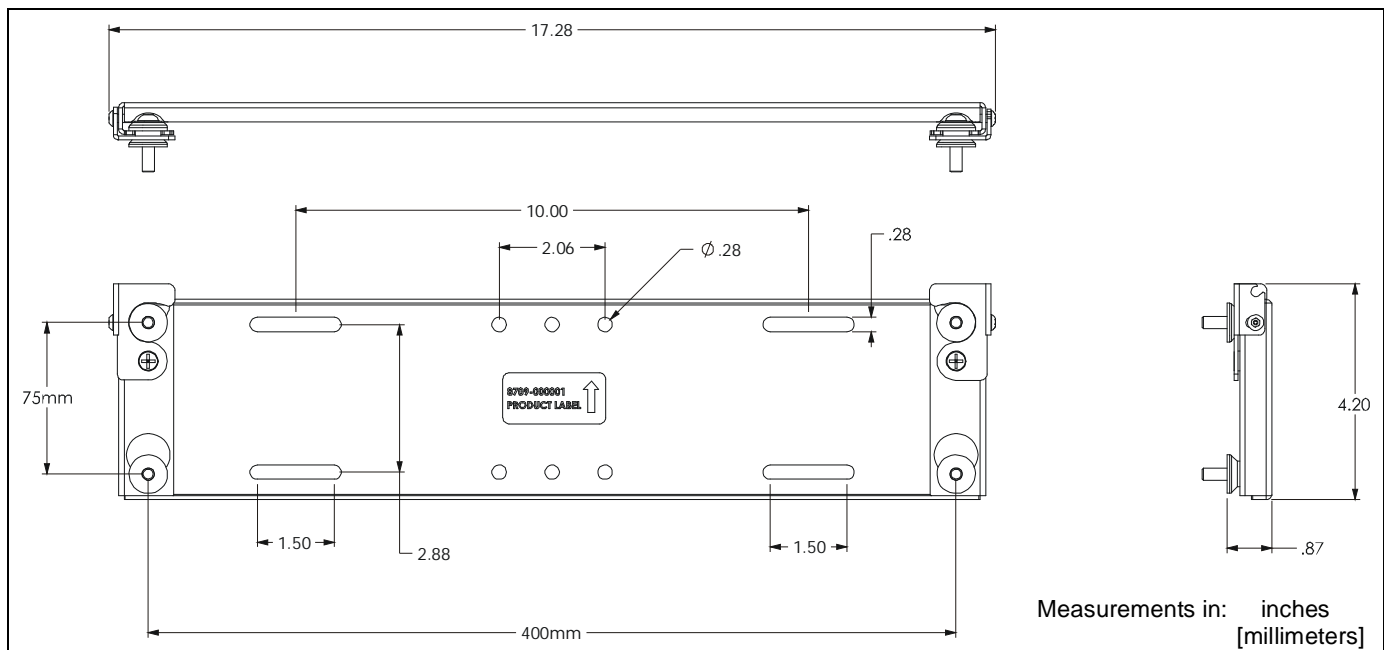
! WARNING: Use this mounting system only for its intended use as described in these instructions. Do not use attachments not recommended by the manufacturer.

! WARNING: Never operate this mounting system if it is damaged. Return the mounting system to a service center for examination and repair.

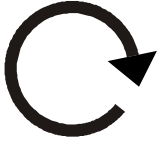
! WARNING: Do not use this product outdoors.


IMPORTANT ! : The MSP-ZVX1 may be installed to a single 2" x 4" wood stud, drywall or concrete.

--SAVE THESE INSTRUCTIONS--




LEGEND

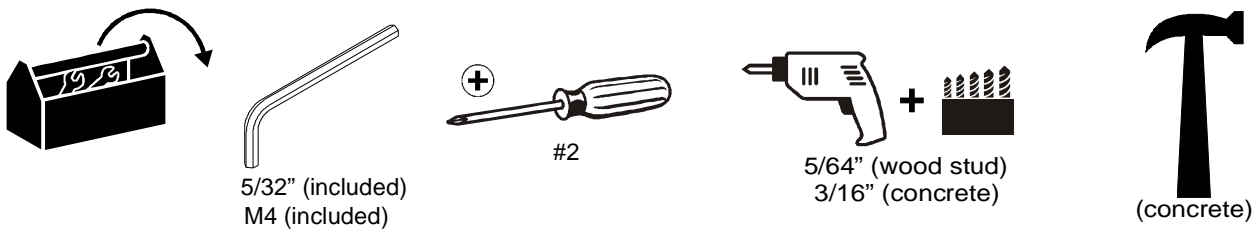
	Tighten Fastener
	Apretar elemento de fijación
	Befestigungsteil festziehen
	Apertar fixador
	Serrare il fissaggio
	Bevestiging vastdraaien
	Serrez les fixations

	Phillips Screwdriver
	Destornillador Phillips
	Kreuzschlitzschraubendreher
	Chave de fendas Phillips
	Cacciavite a stella
	Kruiskopschroevendraaier
	Tournevis à pointe cruciforme

	Loosen Fastener
	Aflojar elemento de fijación
	Befestigungsteil lösen
	Desapertar fixador
	Allentare il fissaggio
	Bevestiging losdraaien
	Desserrez les fixations

	Security Wrench
	Llave de seguridad
	Sicherheitsschlüssel
	Chave de segurança
	Chiave di sicurezza
	Veiligheidssleutel
	Clé de sécurité

TOOLS REQUIRED FOR INSTALLATION



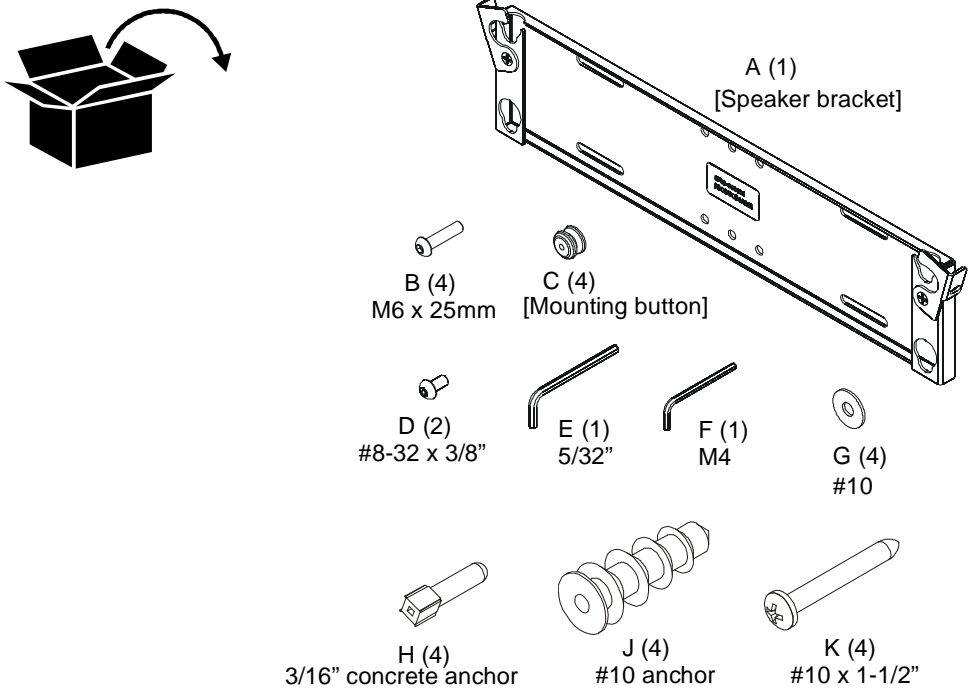
5/32" (included)
M4 (included)

#2

5/64" (wood stud)
3/16" (concrete)

(concrete)

PARTS



A (1)
[Speaker bracket]

B (4)
M6 x 25mm

C (4)
[Mounting button]

D (2)
#8-32 x 3/8"

E (1)
5/32"

F (1)
M4

G (4)
#10

H (4)
3/16" concrete anchor

J (4)
#10 anchor

K (4)
#10 x 1-1/2"

ASSEMBLY AND INSTALLATION

Assemble Mounting Buttons to Speaker

1. Attach four mounting buttons (C) through the upper and lower holes in speaker using four M6 x 25mm button head screws (B). (See Figure 1)

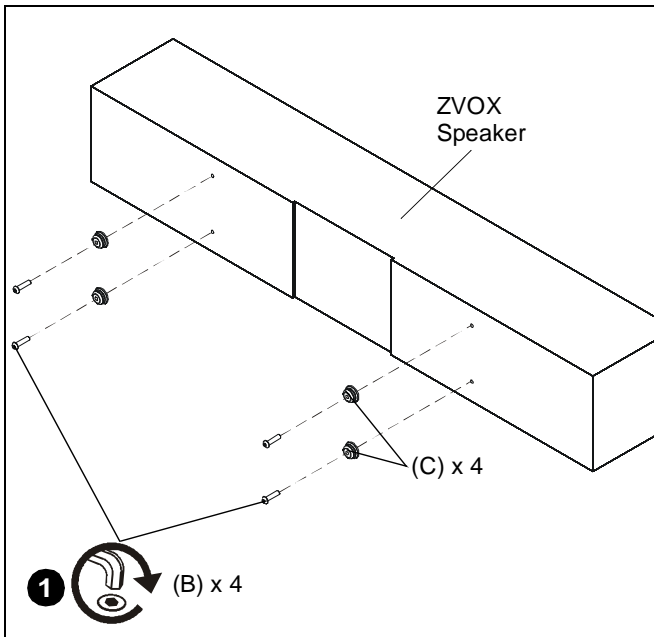


Figure 1

Install Speaker Bracket to Wall

⚠ WARNING: IMPROPER INSTALLATION CAN LEAD TO MOUNT FALLING CAUSING SEVERE PERSONAL INJURY OR DAMAGE TO EQUIPMENT! It is the installers responsibility to make certain the structure to which the mount is being attached is capable of supporting five times the weight of the MSP-ZVX1 and all attached equipment not to exceed 30 lbs (13.61 kg).

⚠ WARNING: ELECTRICAL SHOCK HAZARD! CUTTING OR DRILLING INTO ELECTRICAL CORDS OR CABLES CAN CAUSE DEATH OR SERIOUS PERSONAL INJURY! ALWAYS make certain area behind mounting surface is free of electrical wires and cables before drilling or installing fasteners.

⚠ WARNING: EXPLOSION AND FIRE HAZARD! CUTTING OR DRILLING INTO GAS PLUMBING CAN CAUSE DEATH OR SERIOUS PERSONAL INJURY! ALWAYS make certain area behind mounting surface is free of gas, water, waste, or any other plumbing before cutting, drilling, or installing fasteners.

Drywall Installation

1. Locate and mark the four mounting holes on the drywall. (See Figure 2)

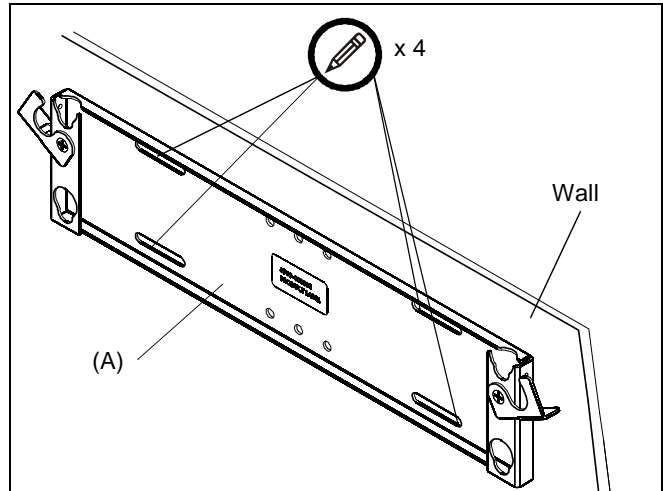


Figure 2



CAUTION: DO NOT OVERTIGHTEN! Overtightening lag bolts can cause damage to the speaker bracket.

2. Install drywall anchors (J) into wall at marked locations using a Phillips screwdriver. (See Figure 3)

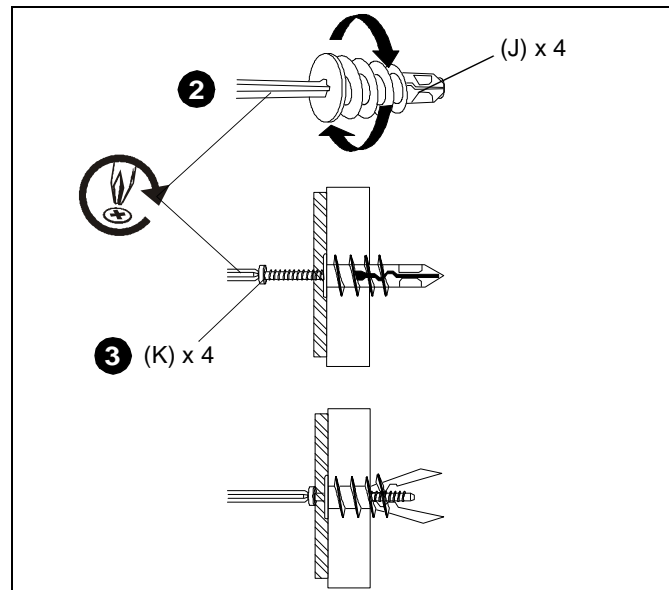


Figure 3

3. Secure speaker bracket (A) to anchors in wall using four #10 x 1-1/2" Phillips head screws (K) and #10 washers (G). (See Figure 3) and (See Figure 4)

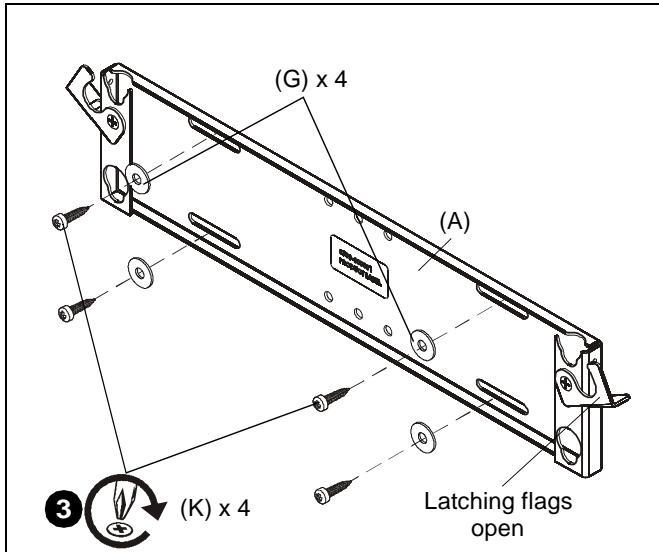


Figure 4

Wood Stud Installation

NOTE: MSP-ZVX1 mount may be installed to one 2" x 4" wood stud using the center mounting holes or using one of the outside slots and drywall anchors on the other side.

Using Center Holes

1. Use a stud finder to locate wood stud.
2. Using speaker bracket (A) as a template, mark mounting hole locations. (See Figure 5)

NOTE: Any of the three round holes may be used but the middle holes provide the most centered mount.

3. Drill two 5/64" holes in wood stud at marked locations. (See Figure 5)

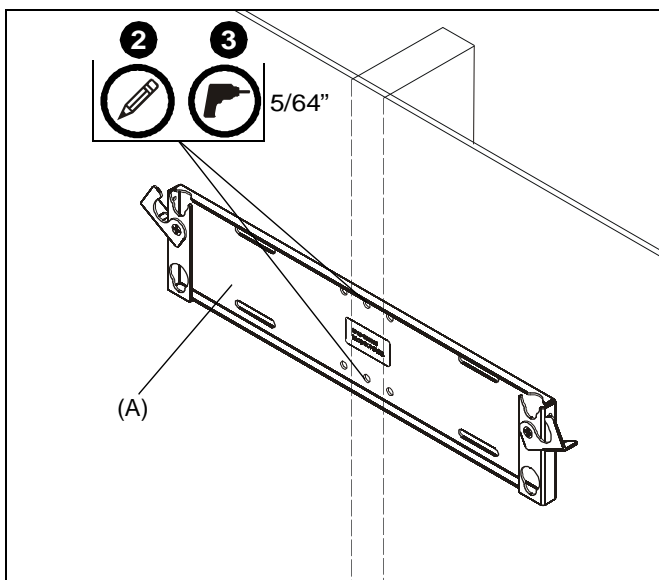


Figure 5

4. Use two #10 x 1 1/2" Phillips head screws (K) and #10 washers (G) to secure speaker bracket (A) to wall. (See Figure 6)



CAUTION: DO NOT OVERTIGHTEN! Overtightening lag bolts can cause damage to the speaker bracket.

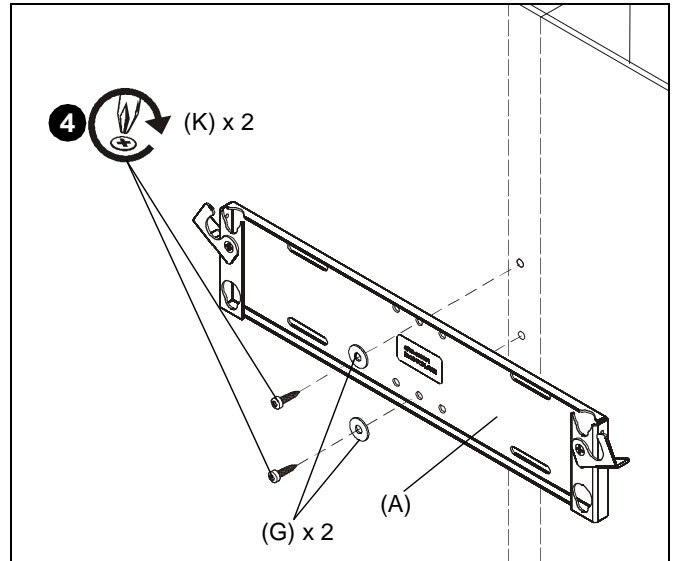


Figure 6

Using Outside Slots

1. Use a stud finder to locate wood stud.
2. Using speaker bracket (A) as a template, mark mounting hole locations. (See Figure 7)
3. Drill two 5/64" holes in wood stud at marked locations on wood studs. (See Figure 7)

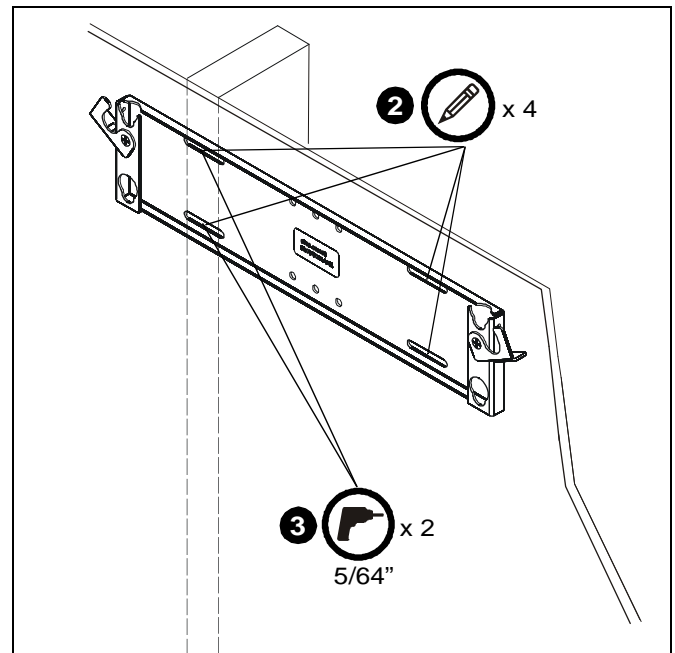


Figure 7



CAUTION: DO NOT OVERTIGHTEN! Overtightening lag bolts can cause damage to the speaker bracket.

- Using a Phillips screwdriver, install drywall anchors (J) into wall at marked locations not on the wood stud. (See Figure 8)

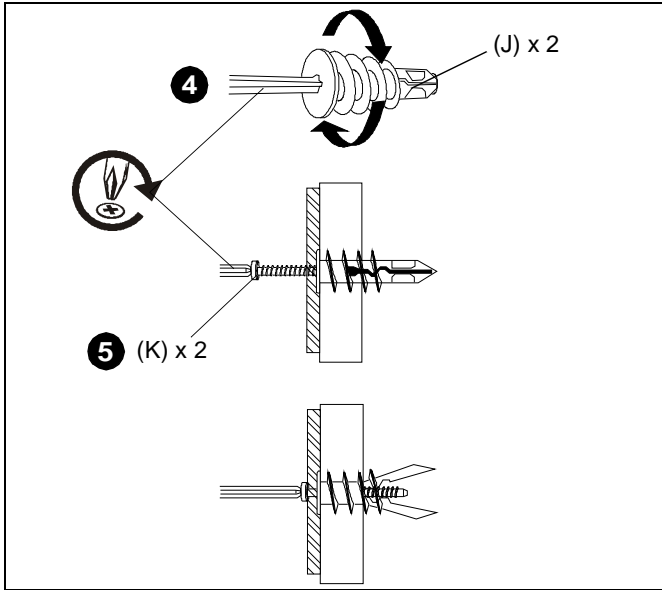


Figure 8

- Secure speaker bracket (A) to anchors in wall using two #10 x 1-1/2" Phillips head screws (K) and two #10 washers (G). (See Figure 8) and (See Figure 9)
- Secure speaker bracket (A) to wall using two #10 x 1-1/2" Phillips head screws (K) and two #10 washers (G). (See Figure 9)

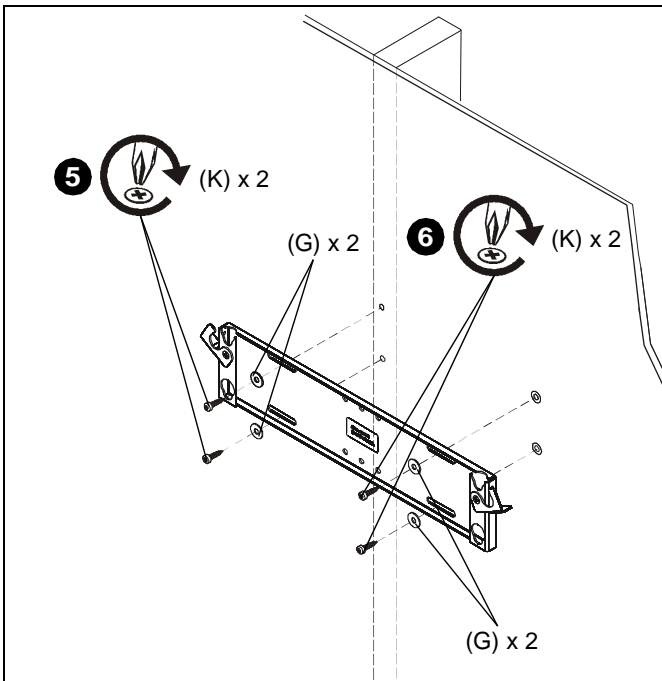


Figure 9

Concrete Installation

- Locate and mark the four mounting holes on the concrete. (See Figure 10)
- Drill four 3/16" holes at each marked location. (See Figure 10)

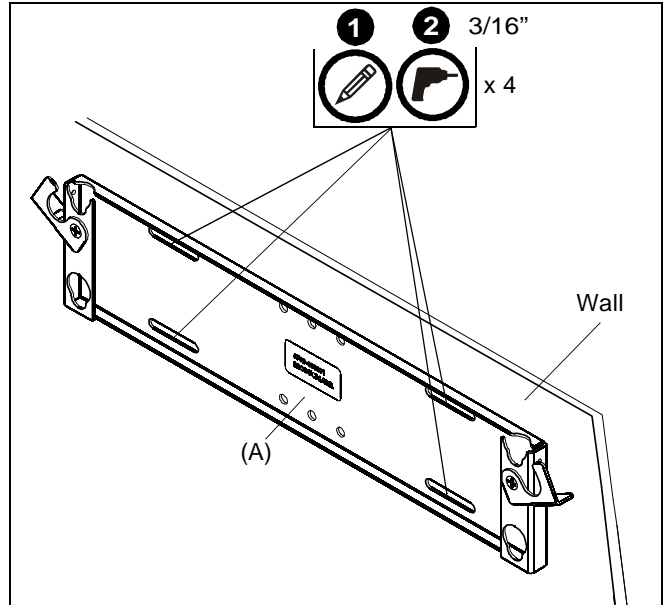


Figure 10



CAUTION: DO NOT OVERTIGHTEN! Overtightening lag bolts can cause damage to the speaker bracket.

- Use a hammer to install concrete anchors (H) into wall at marked locations. (See Figure 11)

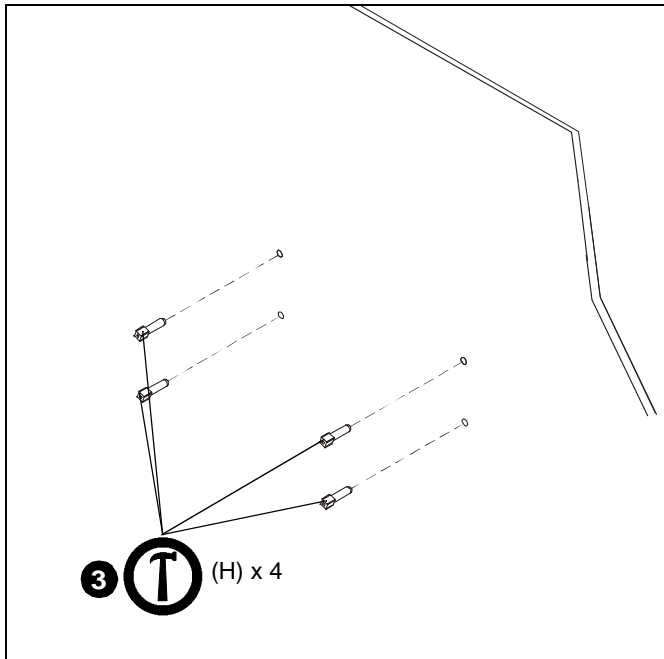


Figure 11

- Secure speaker bracket (A) to anchors in wall using four #10 x 1-1/2" Phillips head screws (G) and four #10 washers (G). (See Figure 12)

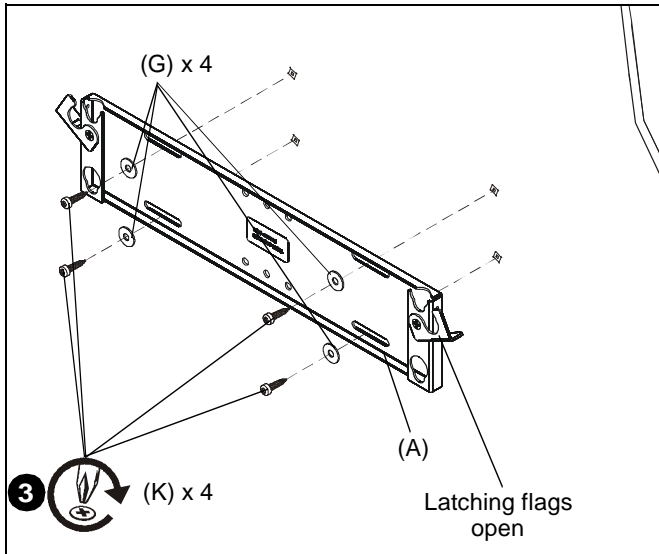


Figure 12

Install Speaker to Speaker Bracket

- Open latching flags on speaker bracket. (See Figure 13)
- Slide mounting buttons on speaker into teardrop holes in speaker brackets (A), and lower speaker until recessed area of mounting buttons is seated in lower area of teardrop mounting holes. (See Figure 13)

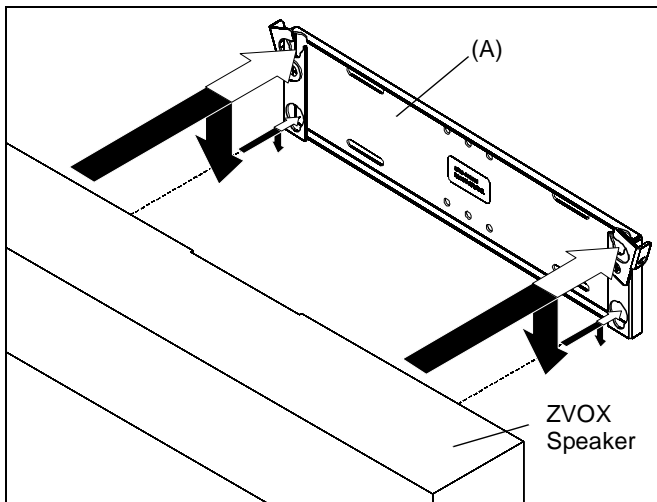


Figure 13

- Close latching flag to secure speaker to speaker bracket. (See Figure 14)

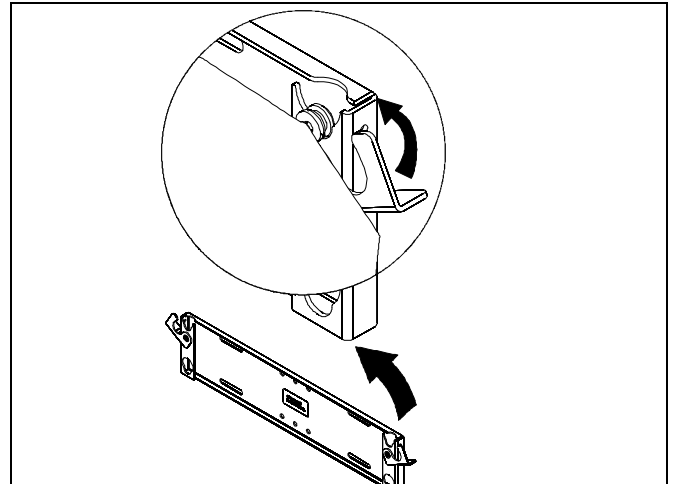


Figure 14

- (Optional) Install two #8-32 x 3/8" button head security screws (D) into the latching flags to secure speaker to speaker bracket. (See Figure 15)

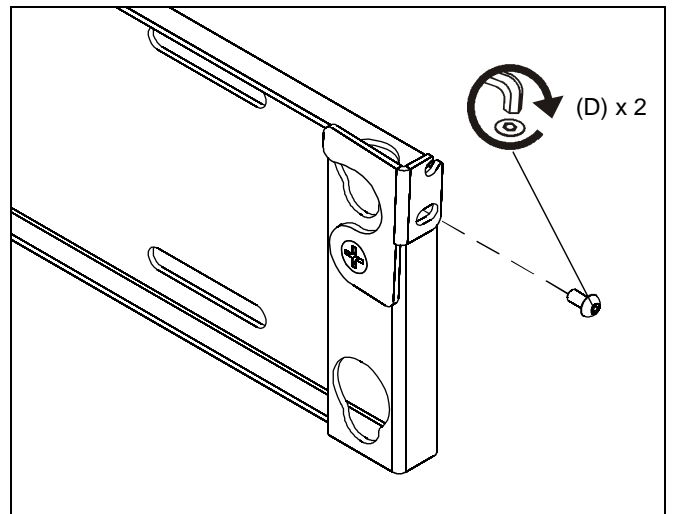


Figure 15

- Route wires and cables.



Our Mounts. **Your Vision.**

Chief Manufacturing, a products division
of Milestone AV Technologies

8800-002484 Rev.00
©2013 Milestone AV Technologies, a
Duchossois Group Company
www.chiefmfg.com

10/13

USA/International	A 6436 City West Parkway, Eden Prairie, MN 55344 P 800.582.6480 / 952.225.6000 F 877.894.6918 / 952.894.6918
Europe	A Franklinstraat 14, 6003 DK Weert, Netherlands P +31 (0) 495 580 852 F +31 (0) 495 580 845
Asia Pacific	A Office No. 1 on 12/F, Shatin Galleria 18-24 Shan Mei Street Fotan, Shatin, Hong Kong P 852 2145 4099 F 852 2145 4477

