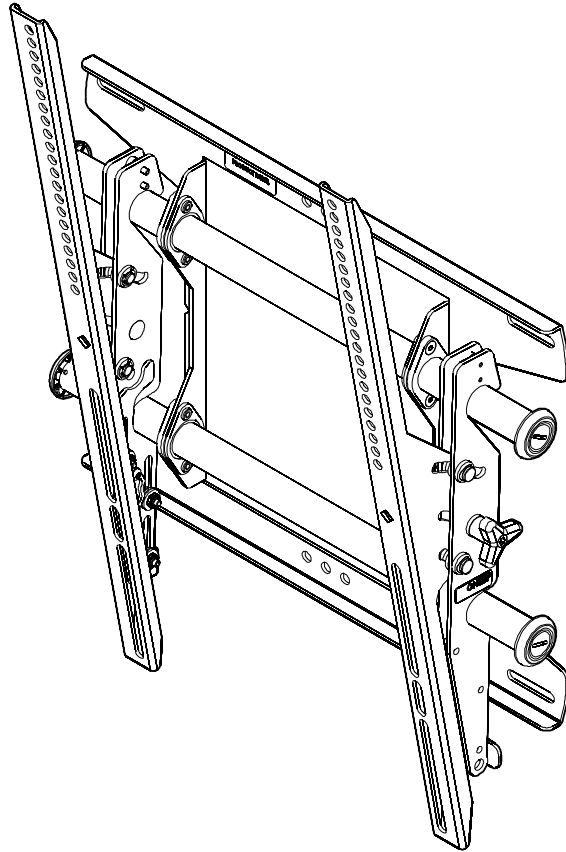

INSTALLATION INSTRUCTIONS



FUSION PORTRAIT MEDIUM TILT MOUNT

DISCLAIMER

Milestone AV Technologies, and its affiliated corporations and subsidiaries (collectively "Milestone"), intend to make this manual accurate and complete. However, Milestone makes no claim that the information contained herein covers all details, conditions or variations, nor does it provide for every possible contingency in connection with the installation or use of this product. The information contained in this document is subject to change without notice or obligation of any kind. Milestone makes no representation of warranty, expressed or implied, regarding the information contained herein. Milestone assumes no responsibility for accuracy, completeness or sufficiency of the information contained in this document.

Chief® is a registered trademark of Milestone AV Technologies. All rights reserved.

! IMPORTANT WARNINGS AND CAUTIONS!

! WARNING: A WARNING alerts you to the possibility of serious injury or death if you do not follow the instructions.

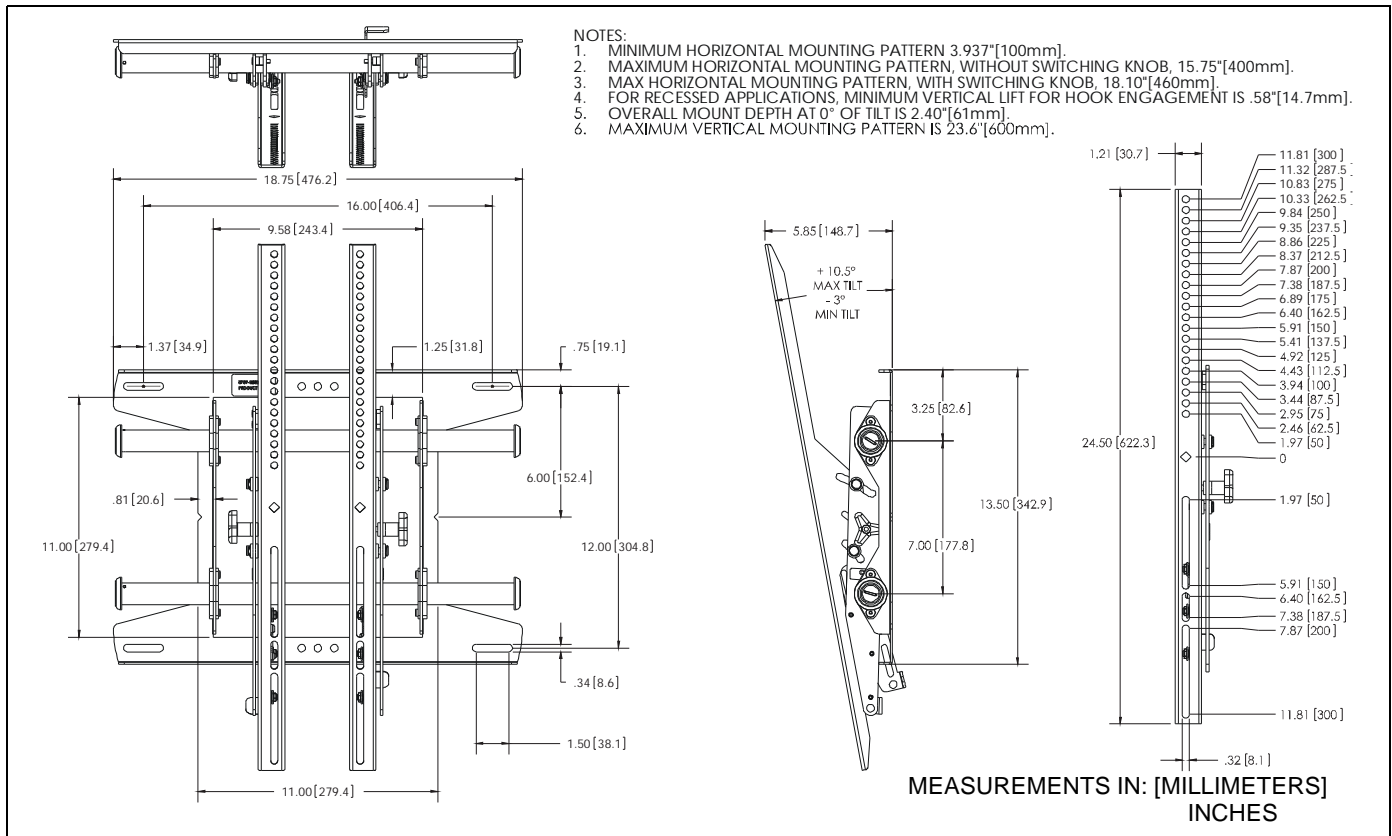
! CAUTION: A CAUTION alerts you to the possibility of damage or destruction of equipment if you do not follow the corresponding instructions.

! WARNING: Failure to read, thoroughly understand, and follow all instructions can result in serious personal injury, damage to equipment, or voiding of factory warranty! It is the installer's responsibility to make sure all components are properly assembled and installed using the instructions provided.



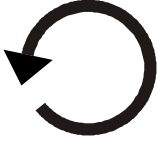



! WARNING: Failure to provide adequate structural strength for this component can result in serious personal injury or damage to equipment! It is the installer's responsibility to make sure the structure to which this component is attached can support five times the combined weight of all equipment. Reinforce the structure as required before installing the component. The wall to which the mount is being attached may have a maximum drywall thickness of 5/8" (1.6cm).

! WARNING: Exceeding the weight capacity can result in serious personal injury or damage to equipment! It is the installer's responsibility to make sure the combined weight of all components located between the MTAPU up to (and including) the display does not exceed 125 lbs (56.7 kg).

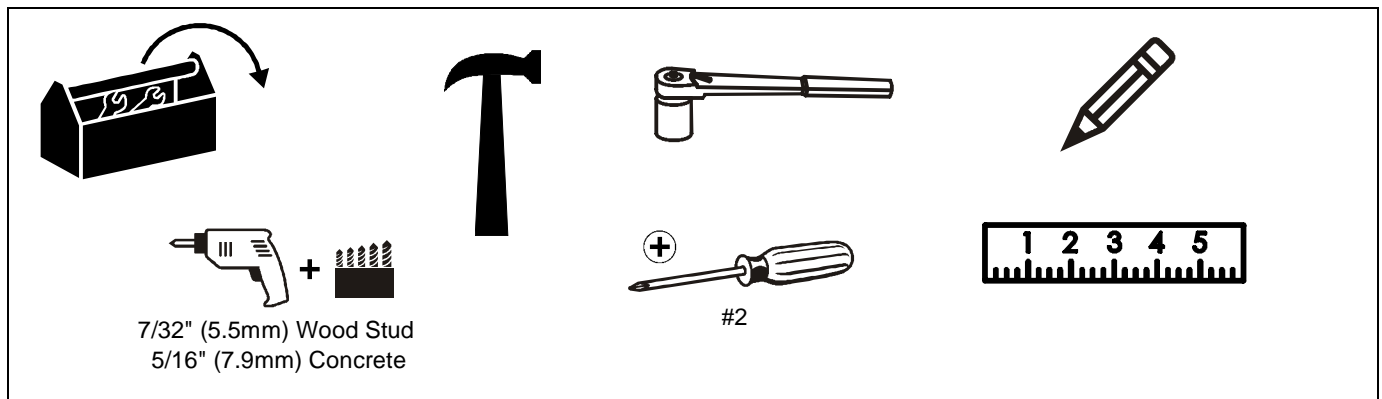
DIMENSIONS



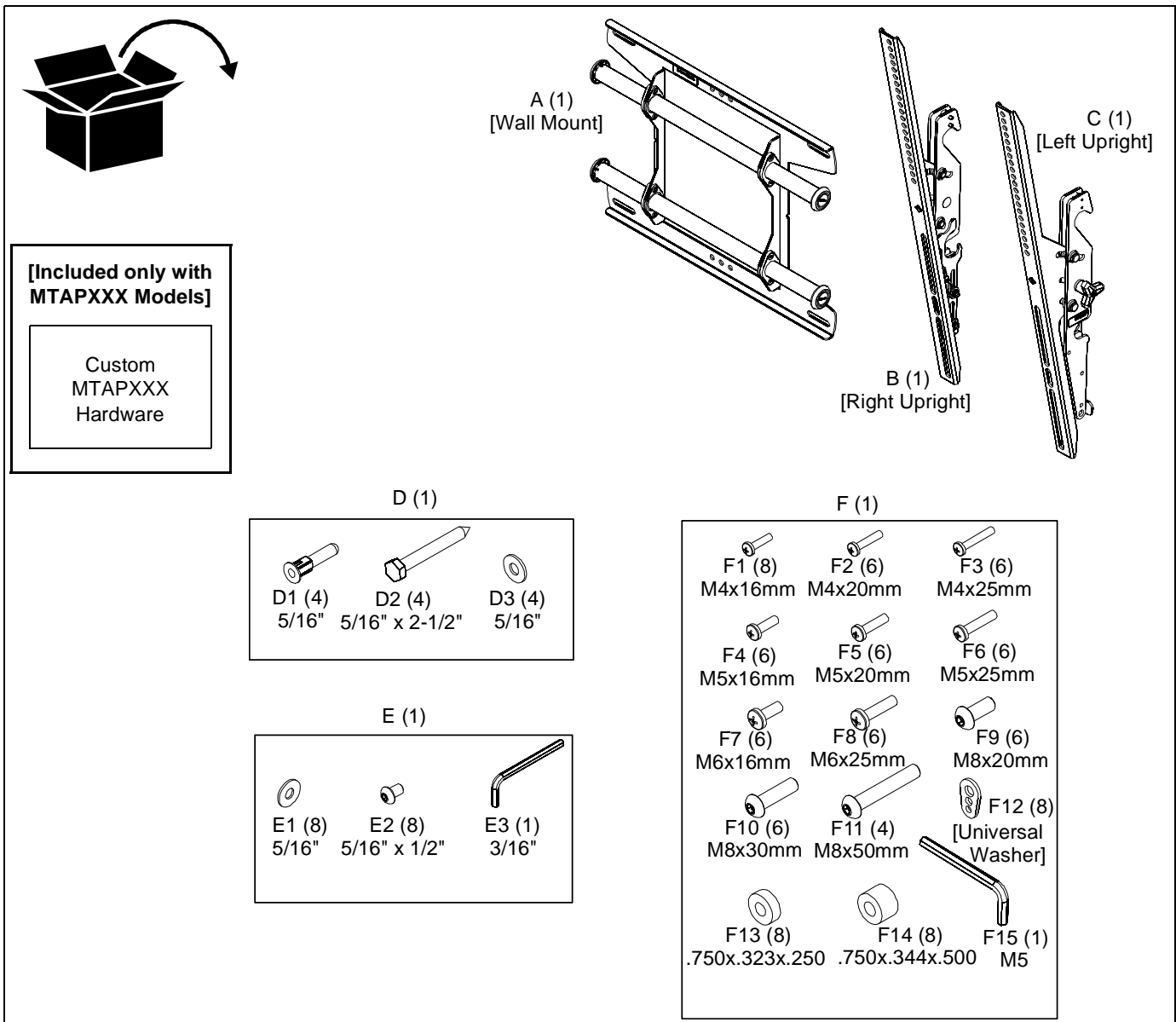
LEGEND

	<p>Tighten Fastener Apretar elemento de fijación Befestigungsteil festziehen Apertar fixador Serrare il fissaggio Bevestiging vastdraaien Serrez les fixations</p>		<p>Pencil Mark Marcar con lápiz Stiftmarkierung Marcar com lápis Segno a matita Potloodmerkteken Marquage au crayon</p>
	<p>Loosen Fastener Aflojar elemento de fijación Befestigungsteil lösen Desapertar fixador Allentare il fissaggio Bevestiging losdraaien Desserrez les fixations</p>		<p>Drill Hole Perforar Bohrloch Fazer furo Praticare un foro Gat boren Percez un trou</p>
	<p>Hex-Head Wrench Llave de cabeza hexagonal Sechskantschlüssel Chave de cabeça sextavada Chiave esagonale Zeskantsleutel Clé à tête hexagonale</p>		<p>By Hand A mano Von Hand Com a mão A mano Met de hand À la main</p>

TOOLS REQUIRED FOR INSTALLATION



PARTS



INSTALLATION

The MTAP has been designed to be mounted directly onto either a 16 inch on center wood stud wall or concrete wall. The MTAP has brackets which allow the TV to be tilted.

Locate Mounting Site



WARNING: IMPROPER INSTALLATION CAN LEAD TO MOUNT FALLING CAUSING SEVERE PERSONAL INJURY OR DAMAGE TO EQUIPMENT! It is the installers responsibility to make certain the structure to which the mount is being attached is capable of supporting five times the weight of the MTAP not to exceed 125 lbs (56.7 kg).

NOTE: Proceed to either the **Installing to a Wood Stud Wall** section or the **Installing to a Concrete Wall** section.

Installing to a Wood Stud Wall

1. Determine the center of the TV screen, and where it should be located on the wall.
2. Locate the closest stud to the left and right of the selected location.

NOTE: If the screen area lies over a stud, use that stud and the stud to either the left or right of it.

3. Line up the notches on mount with center of screen marking to determine vertical center. (See Figure 1)
4. Measure up 6" from the center point to mark location of the upper mounting slots.

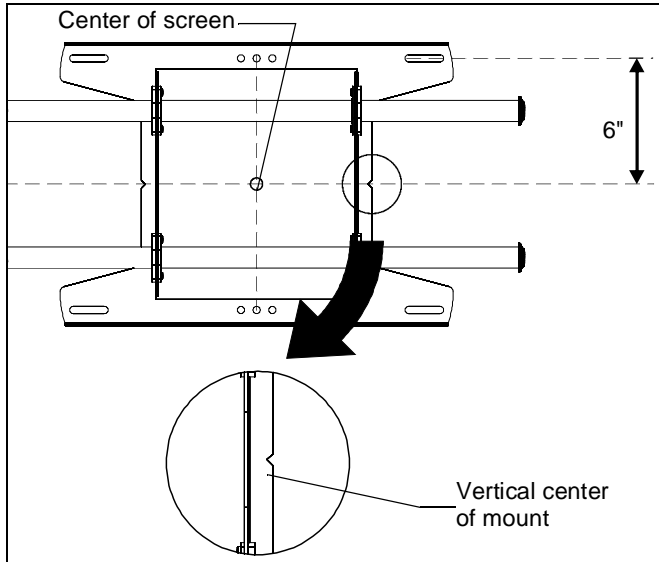


Figure 1

- Using a level, mark the wall on each stud to attach the mount through the upper mounting slots. (See Figure 2)

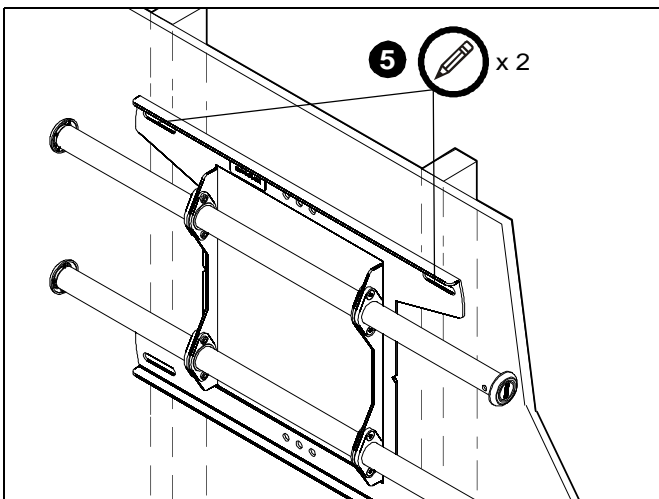


Figure 2

⚠ WARNING: ELECTRICAL SHOCK HAZARD! CUTTING OR DRILLING INTO ELECTRICAL CORDS OR CABLES CAN CAUSE DEATH OR SERIOUS PERSONAL INJURY! ALWAYS make certain area behind mounting surface is free of electrical wires and cables before drilling or installing fasteners.

⚠ WARNING: EXPLOSION AND FIRE HAZARD! CUTTING OR DRILLING INTO GAS PLUMBING CAN CAUSE DEATH OR SERIOUS PERSONAL INJURY! ALWAYS make certain area behind mounting surface is free of gas, water, waste, or any other plumbing before cutting, drilling, or installing fasteners.

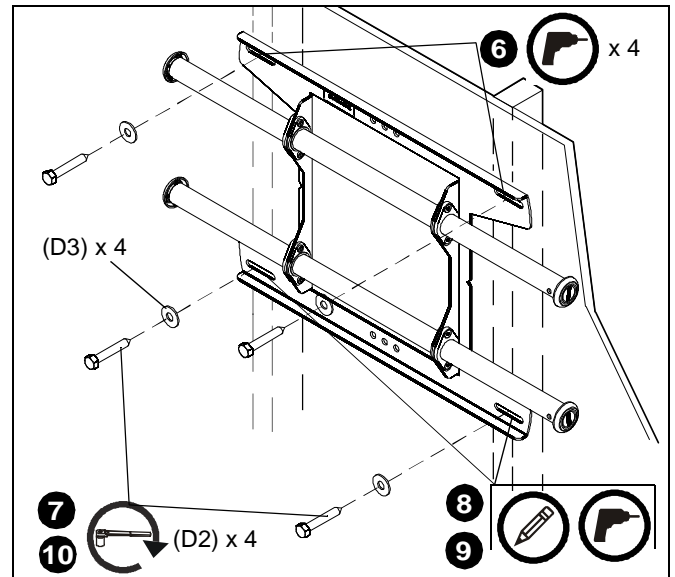


Figure 3

- Drill one 7/32" pilot hole in each stud.
- Use two 5/16 x 2-1/2" lag bolts (D2) and two 5/16" flat washers (D3) to attach top of mount to wall. (See Figure 3)
- Mark the attachment points for the lower mounting slots, making sure the attachment points are located on the studs. (See Figure 3)
- Drill 7/32" pilot holes at markings for lower mounting holes. (See Figure 3)
- Use two 5/16 x 2-1/2" lag bolts (D2) and two 5/16" flat washers (D3) to attach the mount to the wall through the lower mounting holes. (See Figure 3)
- Slide rails to approximate center of screen location.

Installing to a Concrete Wall

- Determine the center of the TV screen, and where it should be located on the wall.
- Line up the notches on mount with center of screen marking to determine vertical center. (See Figure 1)
- Measure up 6" from the center point to mark location of the upper mounting slots. (See Figure 1)
- Using a level, mark the wall through both upper mounting slots. (See Figure 4)

⚠ WARNING: ELECTRICAL SHOCK HAZARD! CUTTING OR DRILLING INTO ELECTRICAL CORDS OR CABLES CAN CAUSE DEATH OR SERIOUS PERSONAL INJURY! ALWAYS make certain area behind mounting surface is free of electrical wires and cables before drilling or installing fasteners.

⚠ WARNING: EXPLOSION AND FIRE HAZARD! CUTTING OR DRILLING INTO GAS PLUMBING CAN CAUSE DEATH OR SERIOUS PERSONAL INJURY! ALWAYS make certain area behind mounting surface is free of gas, water, waste, or any other plumbing before cutting, drilling, or installing fasteners.

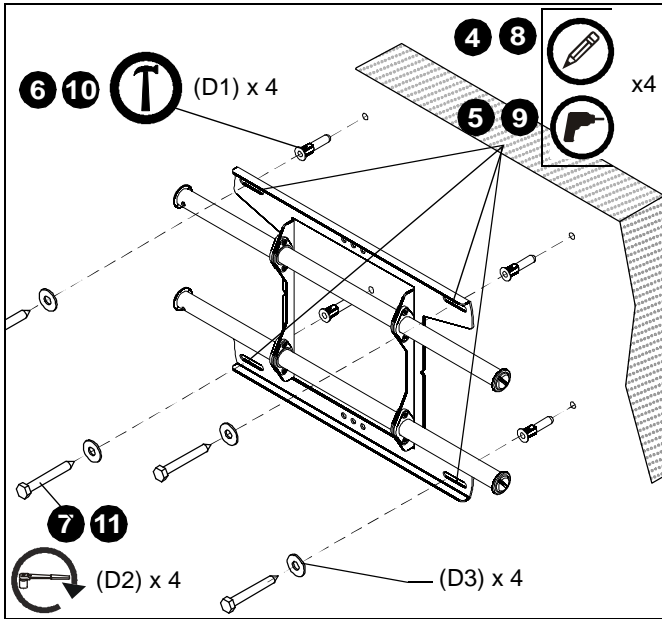


Figure 4

5. Drill one 5/16" pilot hole at each marking.
6. Install an anchor (D1) into each pilot hole using a hammer.
7. Use two 5/16 x 2-1/2" lag bolts (D2) and two 5/16" flat washers (D3) to attach top of mount to anchors in wall.
8. Mark the attachment points for the lower mounting slots. (See Figure 4)
9. Drill one pilot hole at each marking for lower mounting holes. (See Figure 4)
10. Install an anchor (D1) into each pilot hole using a hammer.
11. Use two 5/16 x 2-1/2" lag bolts (D2) and two 5/16" flat washers (D3) to attach the mount to the wall through the lower mounting holes. (See Figure 4)
12. Slide rails to approximate center of screen location.

Attaching Upright Brackets to Display

1. Vertically align the center of the uprights (B and C) with center of screen. (See Figure 5)

NOTE: The diamond-shape opening in the uprights (B and C) corresponds to the vertical center of the upright.



WARNING: IMPROPER INSTALLATION CAN LEAD TO DISPLAY FALLING CAUSING SERIOUS PERSONAL INJURY OR DAMAGE TO EQUIPMENT! Using screws of improper size may damage your display. Properly sized screws will easily and completely thread into display mounting holes. If spacers are required, be sure to use longer screws of the same diameter.

2. Select correct screws, spacers (if necessary) and washers from the hardware bag (F) and attach brackets to back of display. (See Figure 5)

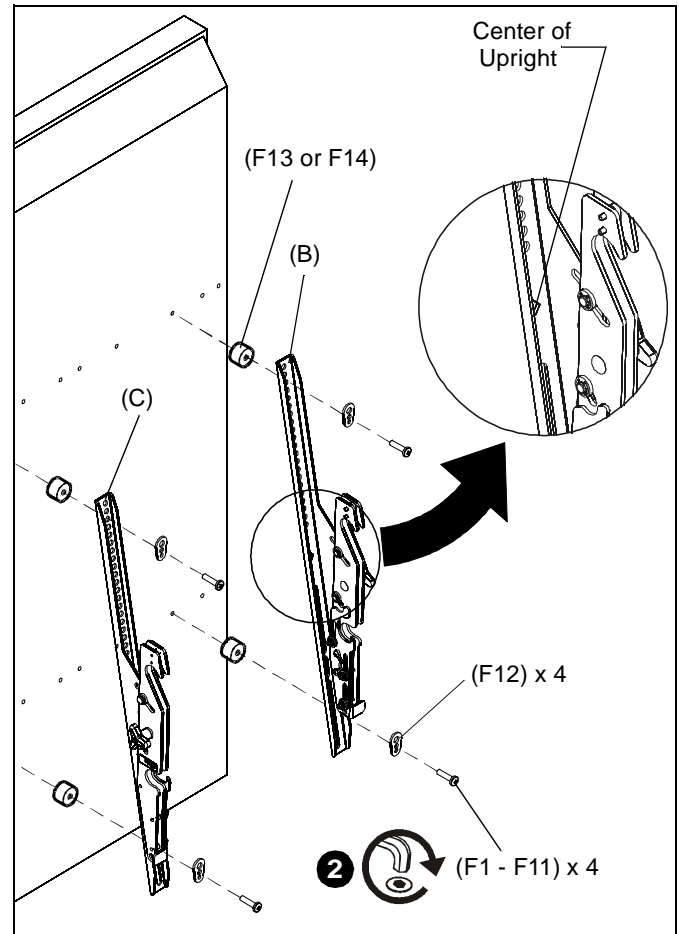


Figure 5

Switching Upright Brackets (Optional)

If an installation situation makes adjusting the location of upright brackets necessary, there are several options.

1. The wall bracket may be adjusted side to side at the points of attachment. (See Figure 6)
2. The location of the left and right upright brackets may be switched, with the knobs on the MTAP upright brackets facing the inside of the mount. (See Figure 6)

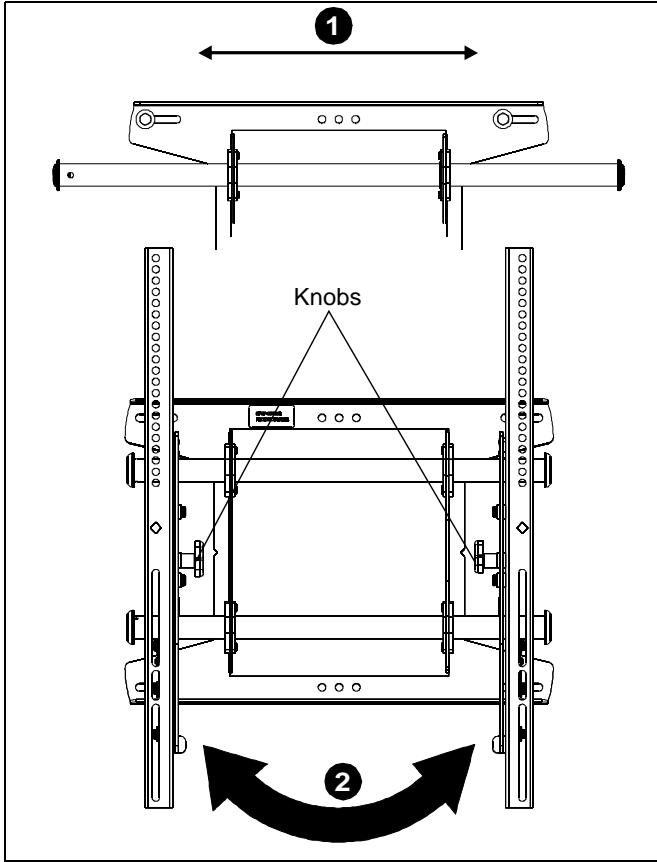


Figure 6

3. If necessary, the tilt upright bracket knobs may be switched to allow the brackets to be reversed. (See Figure 7)
 - a. Remove display from mount.
 - b. Remove brackets from display.
 - c. Hold the right upright bracket horizontally, tightly gripping it so that spacers do not move.
 - d. Remove the knob, washer and screw.
 - e. Replace the knob, washer and screw in the opposite order, with the knob on the inside of the bracket.
 - f. Switch the right upright bracket to the left side of the wall mount.
 - g. Repeat Steps 3c through 3f with the left upright bracket.

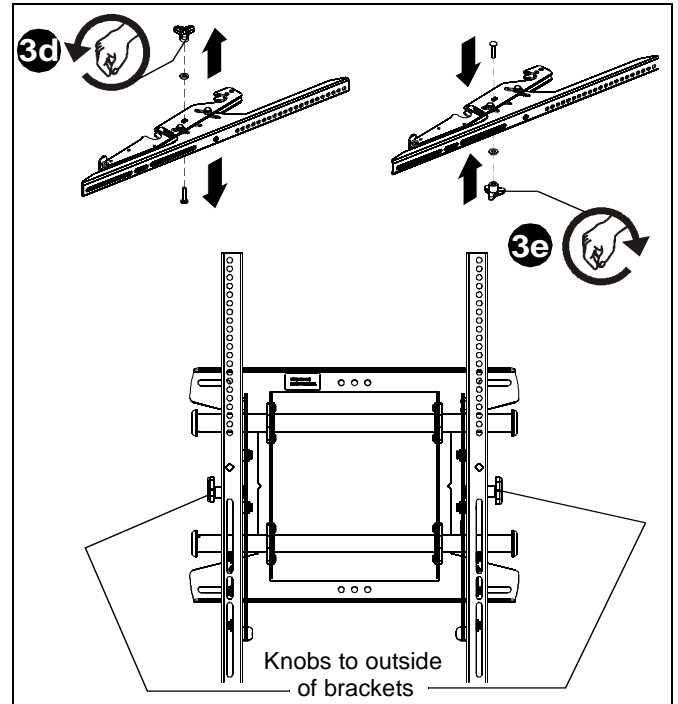


Figure 7

Attaching Display to Wall Mount

1. Push upright brackets tabs all the way down so that the lower mounting slot is blocked. (See Figure 8)
2. Hang the top hook of upright brackets onto the top bar of the mount. The bottom of the display will be away from the wall.
3. Route cables between wall and bars.



CAUTION: PINCH POINTS! Keep fingers, hands and cables out of pinch point areas.

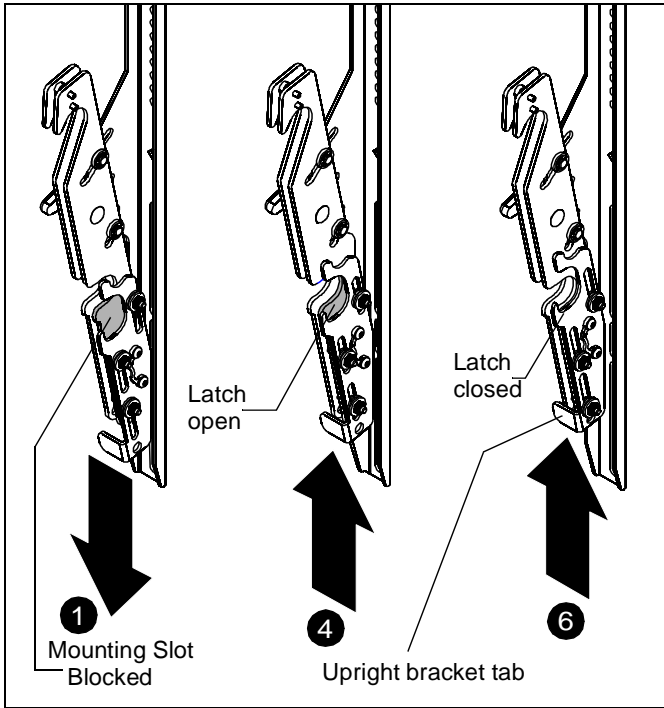


Figure 8

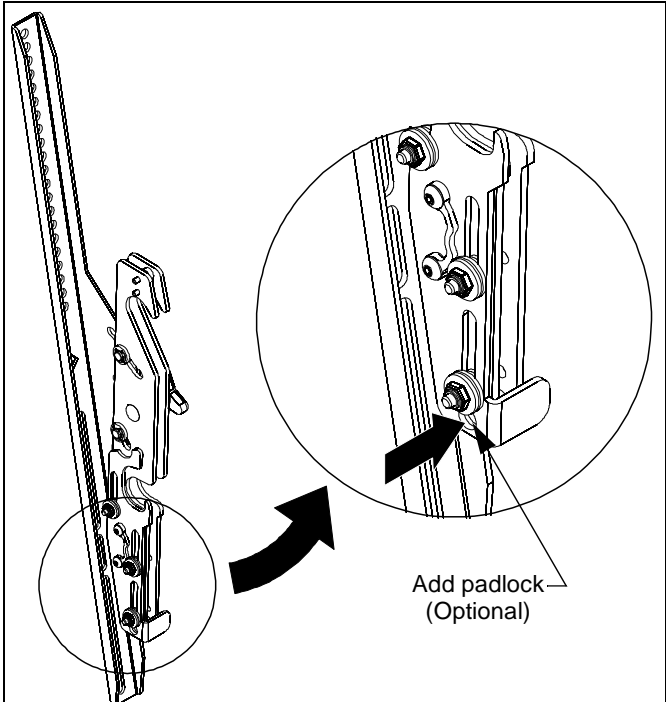


Figure 9

4. Move screen towards the wall by pulling display bottom away from wall and pushing the upright brackets tabs up one notch to the detent which you will be able to feel (approximately half way up). (See Figure 8)
5. Push bottom of display toward the wall bracket so that lower latch on upright brackets surrounds lower bar of wall mount.
6. Raise upright brackets tabs all the way to secure the brackets onto the wall mount. (See Figure 8)

Locking Mount (Optional)

Add padlock (not included) to interface bracket tab to lock the MTAP mount. (See Figure 9)



Our Mounts. **Your Vision.**

Chief Manufacturing, a products division
of Milestone AV Technologies

8800-002030 Rev01
©2011 Milestone AV Technologies, a
Duchossois Group Company
www.chiefmfg.com
01/11

USA/International **A** 8401 Eagle Creek Parkway, Savage, MN 55378
 P 800.582.6480 / 952.894.6280
 F 877.894.6918 / 952.894.6918

Europe **A** Fellenoord 130 5611 ZB EINDHOVEN, The Netherlands
 P +31 (0)40 2668620
 F +31 (0)40 2668615

Asia Pacific **A** Room 24F, Block D, Lily YinDu International Building
 LuoGang, BuJi Town, Shenzhen, CHINA.
 P +86-755-8996 9226
 F +86-755-8996 9217

深圳市布吉罗岗村百合银都国际大厦D栋24F

