

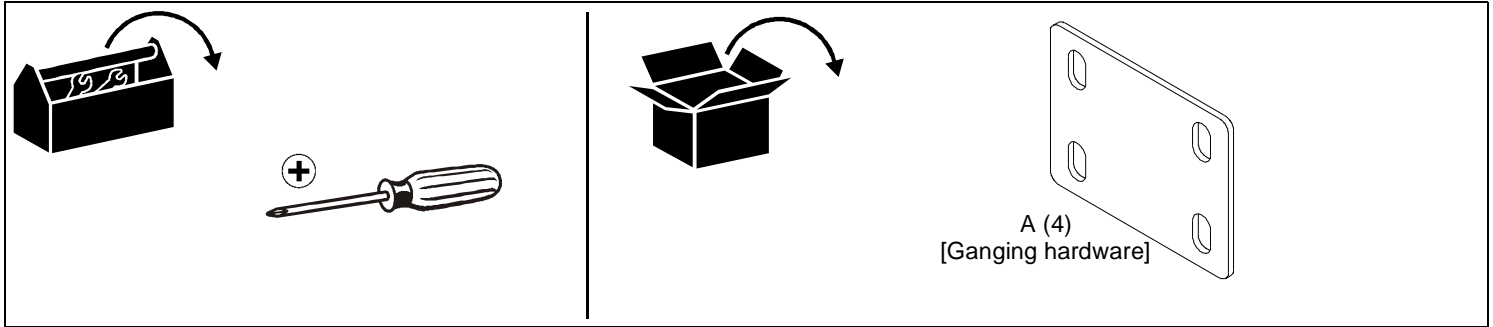
# INSTALLATION INSTRUCTIONS

## NAGS1

### S1 Ganging Hardware

The NAGS1 ganging hardware is designed for use with Chief® S1 Raxxess racks. See the specific installation instructions provided with the rack for additional installation information.

#### TOOLS REQUIRED / PARTS INCLUDED



**⚠ WARNING: FAILURE TO READ, THOROUGHLY UNDERSTAND, AND FOLLOW ALL INSTRUCTIONS CAN RESULT IN SERIOUS PERSONAL INJURY, DAMAGE TO EQUIPMENT, OR VOIDING OF FACTORY WARRANTY!** It is the installer's responsibility to make sure all components are properly assembled and installed using the instructions provided.

#### INSTALLATION INSTRUCTIONS

1. Remove eight Phillips head screws from top and bottom front of rack. (See Figure 1)

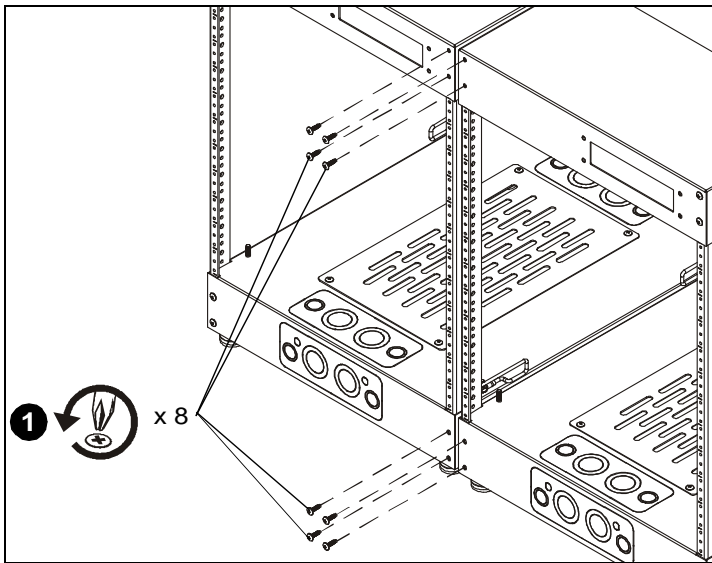


Figure 1

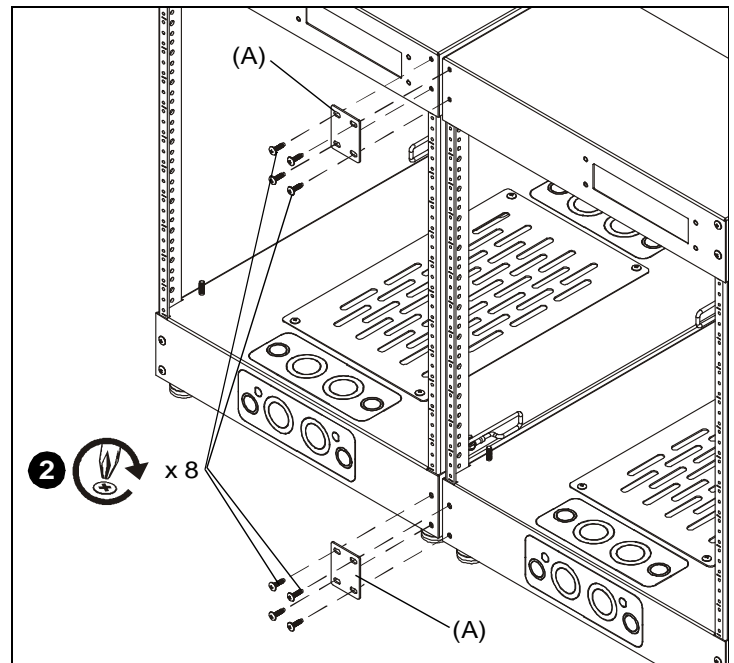


Figure 2

2. Connect the racks by attaching the ganging hardware (A) at the top and bottom of the rack using the eight Phillips head screws removed in Step 1. (See Figure 2)
3. Repeat Steps 1 and 2 for the back of the racks.



Milestone AV Technologies, and its affiliated corporations and subsidiaries (collectively, "Milestone"), intend to make this manual accurate and complete. However, Milestone makes no claim that the information contained herein covers all details, conditions or variations, nor does it provide for every possible contingency in connection with the installation or use of this product. The information contained in this document is subject to change without notice or obligation of any kind. Milestone makes no representation of warranty, expressed or implied, regarding the information contained herein. Milestone assumes no responsibility for accuracy, completeness or sufficiency of the information contained in this document.