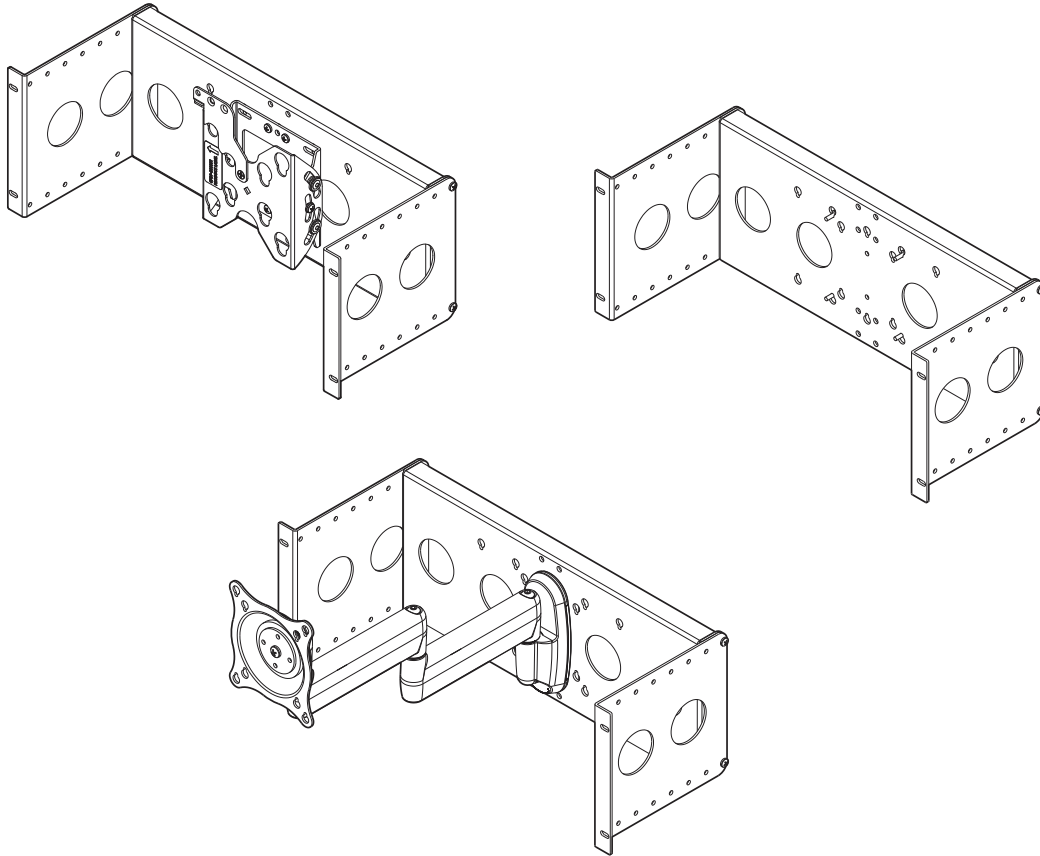

INSTALLATION INSTRUCTIONS



Rack Monitor Bracket and Mounts

DISCLAIMER

Milestone AV Technologies and its affiliated corporations and subsidiaries (collectively "Milestone"), intend to make this manual accurate and complete. However, Milestone makes no claim that the information contained herein covers all details, conditions or variations, nor does it provide for every possible contingency in connection with the installation or use of this product. The information contained in this document is subject to change without notice or obligation of any kind. Milestone makes no representation of warranty, expressed or implied, regarding the information contained herein. Milestone assumes no responsibility for accuracy, completeness or sufficiency of the information contained in this document.

Chief® is a registered trademark of Milestone AV Technologies. All rights reserved.

IMPORTANT WARNINGS AND CAUTIONS!

WARNING: A WARNING alerts you to the possibility of serious injury or death if you do not follow the instructions.

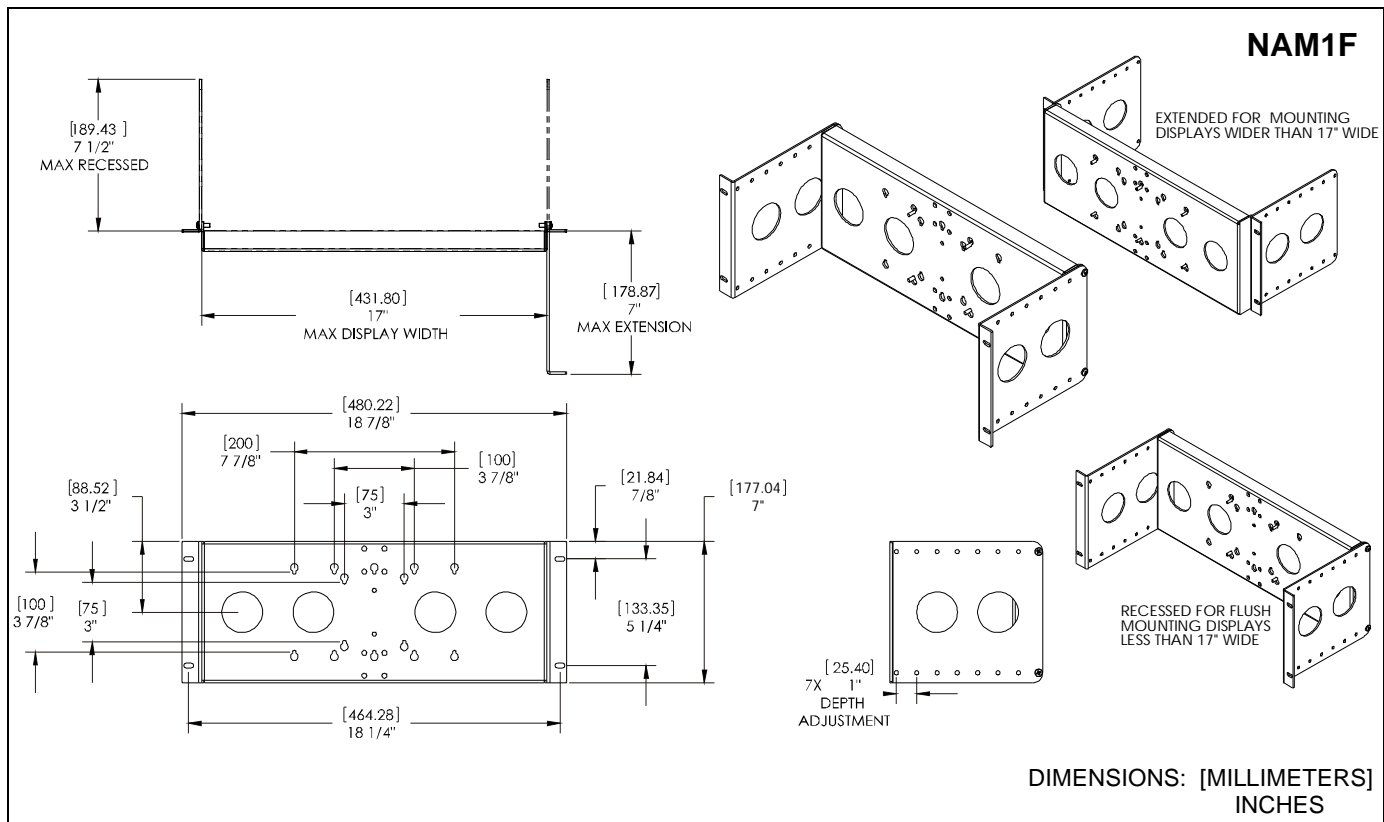
CAUTION: A CAUTION alerts you to the possibility of damage or destruction of equipment if you do not follow the corresponding instructions.

WARNING: Failure to read, thoroughly understand, and follow all instructions can result in serious personal injury, damage to equipment, or voiding of factory warranty! It is the installer's responsibility to make sure all components are properly assembled and installed using the instructions provided.

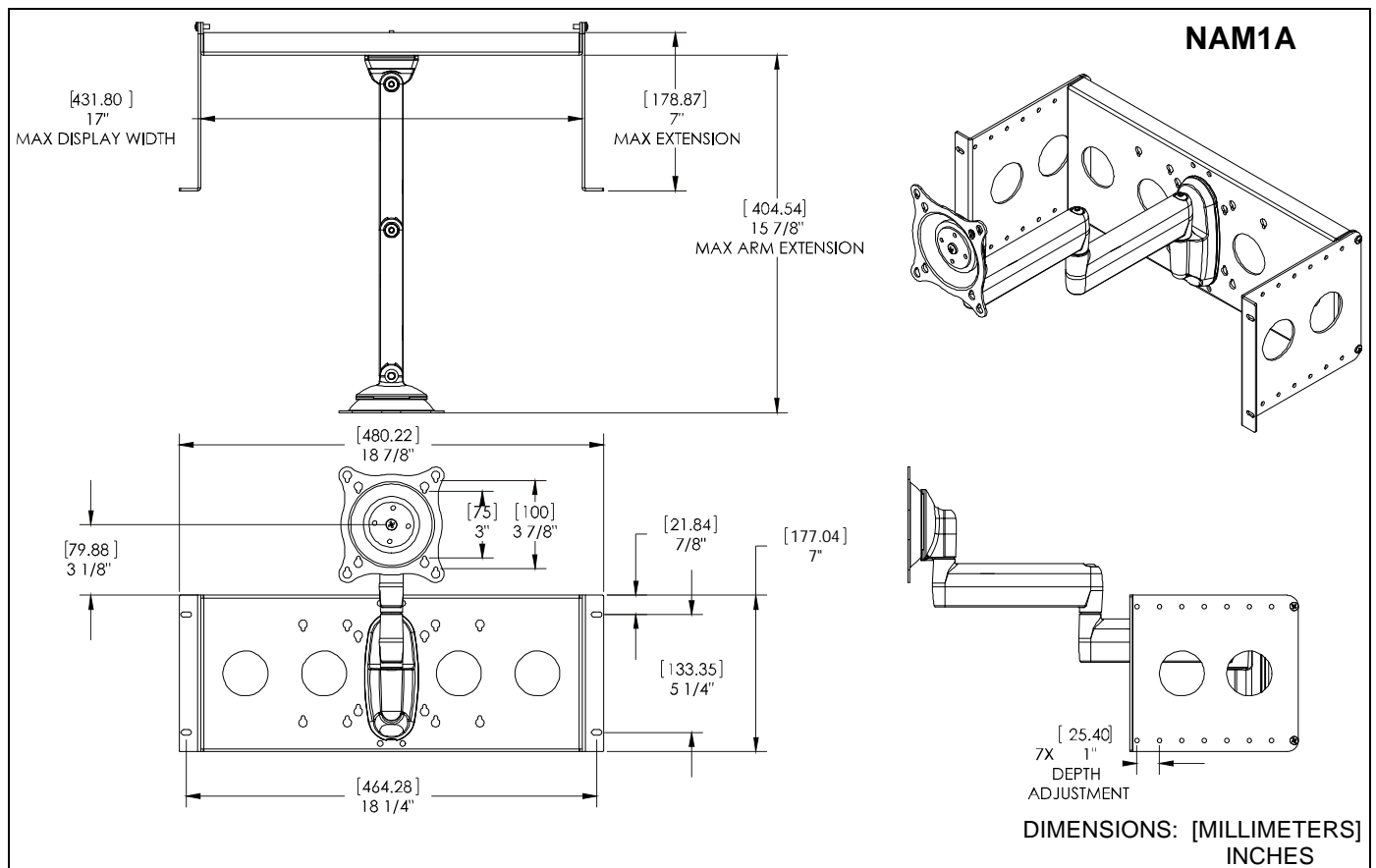
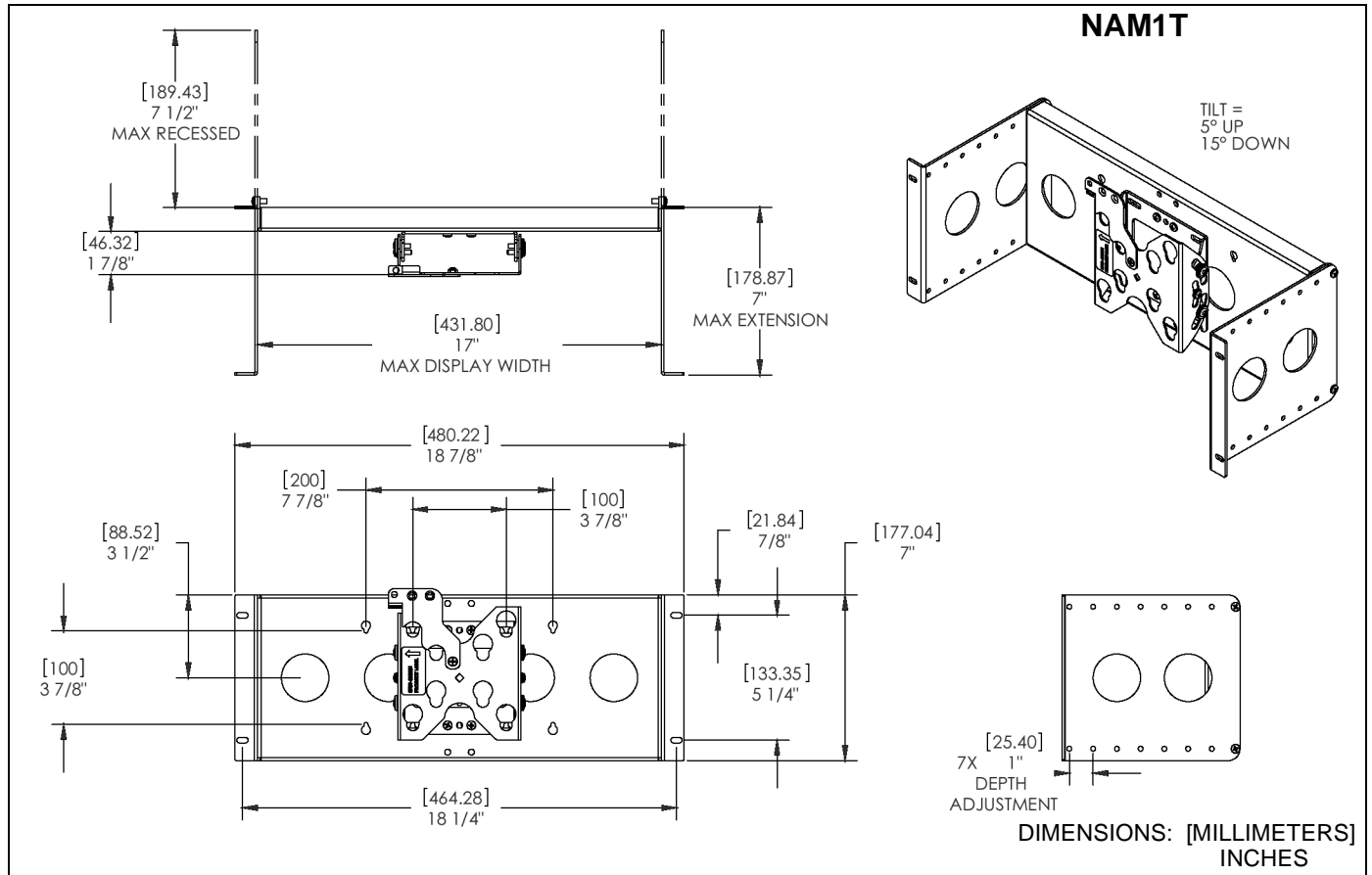
WARNING: Failure to provide adequate structural strength for this component can result in serious personal injury or damage to equipment! It is the installer's responsibility to make sure the structure to which this component is attached can support five times the combined weight of all equipment. Reinforce the structure as required before installing the component.

WARNING: Exceeding the weight capacity can result in serious personal injury or damage to equipment! It is the installer's responsibility to make sure the combined weight of all components attached to the NAM Series product, including the display, does not exceed 30 lbs (13.6 kg). Use with products heavier than the maximum weight indicated may result in collapse of the mount and its accessories causing possible injury.

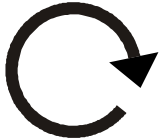

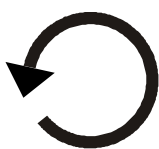

DIMENSIONS




DIMENSIONS--continued




LEGEND

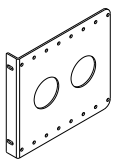
	Tighten Fastener		Phillips Screwdriver
	Apretar elemento de fijación		Destornillador Phillips
	Befestigungsteil festziehen		Kreuzschlitzschraubendreher
	Apertar fixador		Chave de fendas Phillips
	Serrare il fissaggio		Cacciavite a stella
	Bevestiging vastdraaien		Kruiskopschroevendraaier
Serrez les fixations	Tournevis à pointe cruciforme		
	Loosen Fastener		Open-Ended Wrench
	Aflojar elemento de fijación		Llave de boca
	Befestigungsteil lösen		Gabelschlüssel
	Desapertar fixador		Chave de bocas
	Allentare il fissaggio		Chiave a punte aperte
	Bevestiging losdraaien		Steeksleutel
Desserrez les fixations	Clé à fourche		

TOOLS REQUIRED FOR INSTALLATION / PARTS

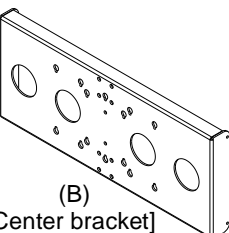


7/16"






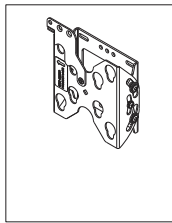
(A)
[Side bracket]




(B)
[Center bracket]




(C)
[FWD support]




(J) FTR1U Wall Mount Kit




(D)
10-24 x 1/2"



(E)
10-24 x 1-1/4"




(F)
10-32 x 3/4"




(G)
10-24


(H) Array Hardware Kit




(HA)
M4x12mm




(HB)
M4x20mm



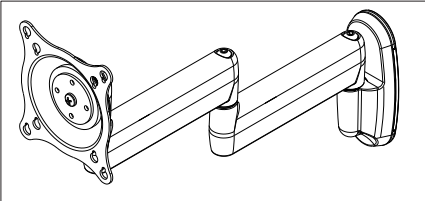
(HC)
M4x30mm



(HD)
1/2" x .194" x 3/8"



(HE)
.500" x .194" x .750"



(K) FWD110 Kit

Item	NAM1F (qty)	NAM1T (qty)	NAM1A (qty)
A	2	2	2
B	1	1	1
C	---	---	1
D	4	8	4
E	---	---	2
F	4	4	4
G	---	4	2
H	1	---	---
J	---	1	---
K	---	---	1

ASSEMBLY OF NAM1 BRACKET

The NAM1 Series of products is designed for use in the Chief racks. These products accommodate the following installation configurations:

- VESA compliant display/interface (75x75, 100x100, 100x200)
- FWD110 wall mount
- FTR1U wall mount

Determine Location

1. Determine location of bracket (B) in the Chief rack. The location is adjustable in 1" increments from approximately 6" depth within the rack to 1" extension in front of rack. Consider the following:
 - **Display size**
If outside width of display is greater than 17", bracket (B) must be mounted *in front of OR flush with* the Chief rack. If display width is 17" or less, bracket (B) may be mounted at any location.
 - **Depth of mount and/or interface bracket (if used);**
 - **Extent of pitch, roll, yaw, height, and/or extension desired (as applicable for each mount).**
2. Install four 10-24 x 1/2" Phillips cap head screws (D) through two side brackets (A) into center bracket (B), and tighten. (See Figure 1) and (See Figure 2)

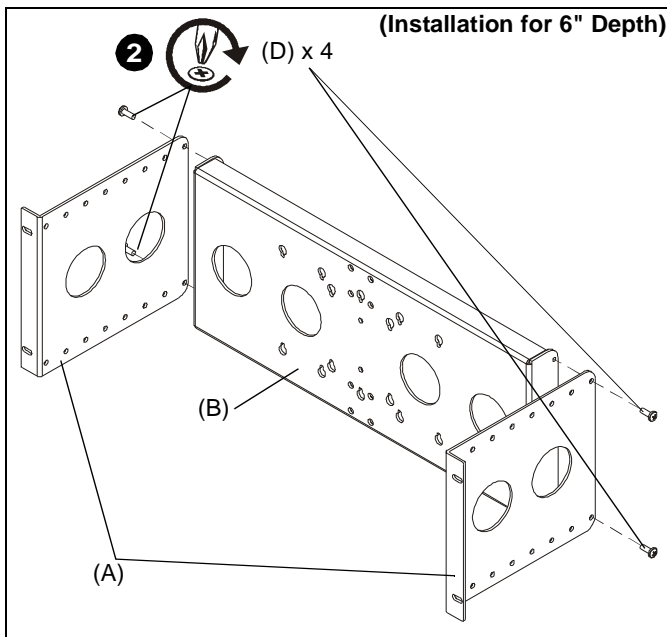


Figure 1

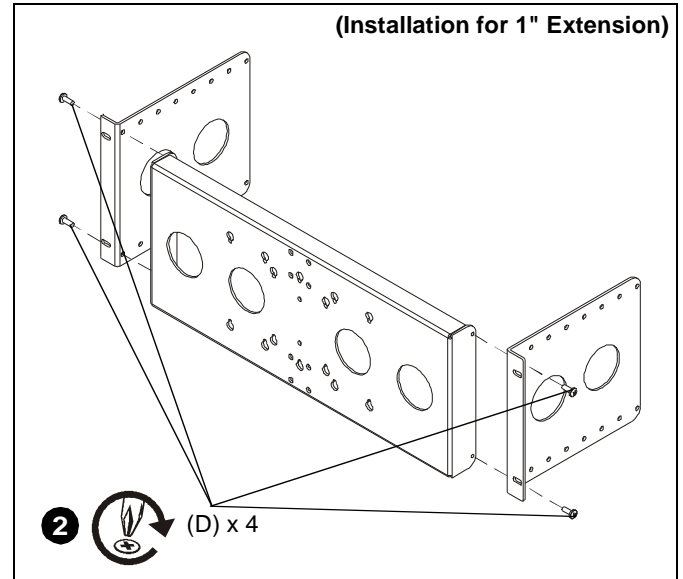


Figure 2

INSTALLATION

Determine how the display is to be installed from the following four installation options.

Option A - Installation without Additional Wall Mount

NOTE: This option **REQUIRES** a display having mounting holes that are **flush** with the back surface **AND** where access to the back of the Chief rack is possible. If one or both of these requirements are not met, proceed to **Option B**.

This option applies to VESA compliant display (75x75mm, 100x100mm, or 100x200mm mounting hole pattern). Non-VESA compliant display also requires installation of Chief Listed interface bracket (not included). Proceed to **Installing Option A** section.

Option B - Installation without Additional Wall Mount

This option applies to VESA compliant display (75x75mm, 100x100mm, or 100x200mm mounting hole pattern). Non-VESA compliant display also requires installation of Chief Listed interface bracket (not included). Proceed to **Installing Option B** section.

Option C - Installation with FWD110 Mount

This option applies to VESA compliant display (75x75mm or 100x100mm mounting hole pattern). Non-VESA compliant display also requires installation of Chief Listed interface bracket (not included). Proceed to **Installing Option C** section.

Option D - Installation with FTR1U Fusion Wall Mount

Requires installation of Chief Listed interface bracket (not included). Proceed to **Installing Option D** section.

Installation Option A

1. Install Listed interface bracket (not included) to display, if required, following instructions included with interface bracket.
2. Proceed to **Assembly of NAM1 Series to Rack** section.
3. Place display face down on protective surface.

WARNING: IMPROPER INSTALLATION CAN LEAD TO DISPLAY FALLING CAUSING SERIOUS PERSONAL INJURY OR DAMAGE TO EQUIPMENT! Using screws of improper size may damage your display. Properly sized screws will easily and completely thread into display mounting holes. If spacers are required, be sure to use longer screws of the same diameter.

WARNING: IMPROPER INSTALLATION CAN LEAD TO DISPLAY FALLING CAUSING SERIOUS PERSONAL INJURY OR DAMAGE TO EQUIPMENT! Inadequate thread engagement in display may cause display to fall! Back out screws ONLY as necessary to allow installation of mounting plate!

4. Start two (or three if applicable) screws (HA, HB, or HC) into the upper mounting holes in back of display. (See Figure 3)

NOTE: Leave at least 1/8" of each screw protruding out back of display.

5. Align two screws in display back with upper teardrop mounting holes in bracket assembly and lower display until screws are seated in lower area of teardrop mounting holes. (See Figure 3)
6. Install two (or three if applicable) of the same screws through lower mounting holes in bracket assembly, and into display back. (See Figure 3)

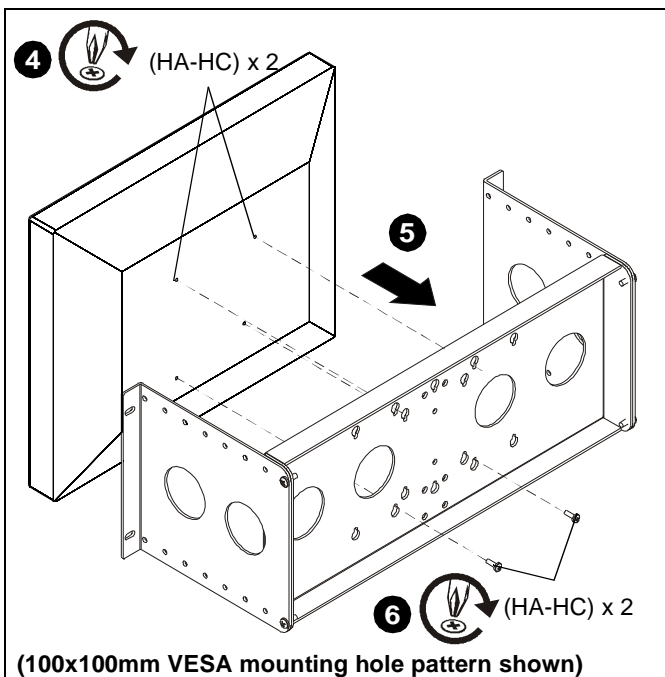


Figure 3

8. Install all cables.
9. **Installation Option A** is complete.

Installation Option B

1. Install Listed interface bracket (not included) to display, if required, following instructions included with interface bracket.
2. Place display face down on protective surface.
3. Determine depth of mounting holes relative to the back surface of display.
4. Select proper length spacer and screw from table below:

NOTE: All spacers used should be the same length. If recess depths result in multiple spacer lengths, then select the longer spacer.

IF recess DEPTH is:	THEN use spacer:	AND screw:
More than zero up to and including 3/8"	(HD) (3/8" long)	HB (M4 x 20mm)
More than 3/8" up to and including 3/4"	(HE) (3/4" long)	HC (M4 x 30mm)

5. Place the selected spacers over each of the mounting holes on the back of the display.
6. Orient the bracket assembly so that the mounting holes in the bracket assembly are aligned with the spacers. (See Figure 4)

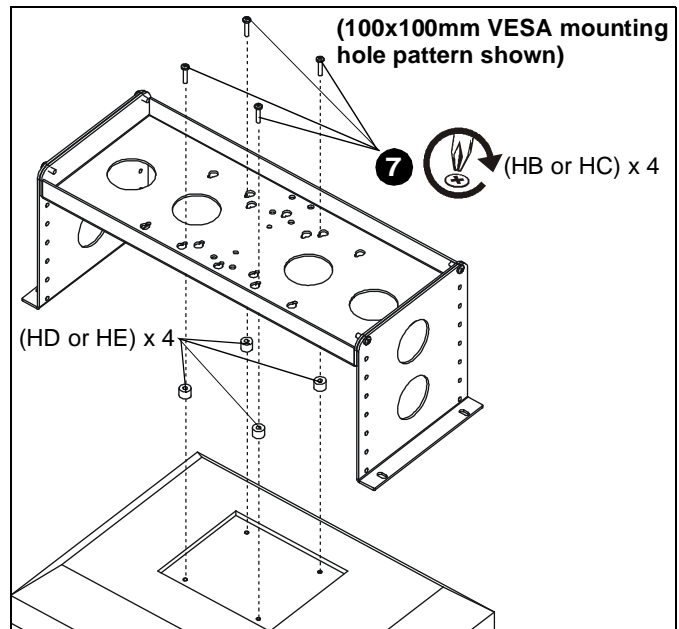


Figure 4

WARNING: IMPROPER INSTALLATION CAN LEAD TO DISPLAY FALLING CAUSING SERIOUS PERSONAL INJURY OR DAMAGE TO EQUIPMENT! Using screws of improper size may damage your display. Properly sized screws will easily and completely thread into display mounting holes.

7. Install four (or six, if applicable) of selected screws (HB or HC) through the mounting holes in bracket assembly, through spacers (HD or HE) into the display. (See Figure 4)
8. Tighten all fasteners. Do not over tighten!

7. Tighten all fasteners. Do not over tighten!

9. Proceed to **Assembly of NAM1 Series to Rack** section.
10. Install all cables.
11. **Installation Option B** is complete.

Installation Option C

1. Install Listed interface bracket (not included) to display, if required, following instructions included with interface bracket.
2. Install FWD wall bracket (included with FWD110 kit) to bracket assembly and FWD support (C) using two 10-24 x 1-1/4" Phillips head screws (E), two #10 washers (included with FWD110 kit) and two 10-24 lock nuts (G). (See Figure 5)

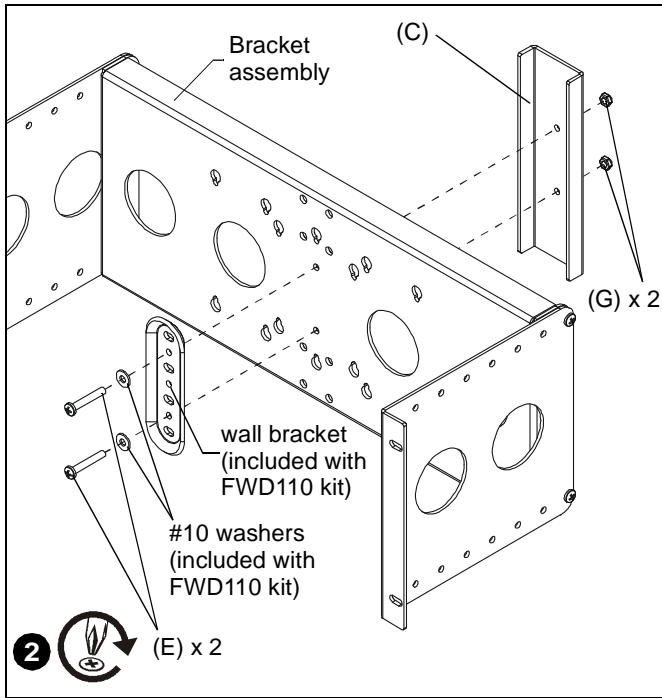


Figure 5

3. Proceed to **Assembly of NAM1 Series to Rack** section.
4. Install display to FWD110 wall mount (K) following instructions included with FWD110.
5. Install wall mount with attached display to bracket assembly (now installed within rack) following instructions included with FWD110.
6. Install all cables.
7. **Installation Option C** is complete.

Installation Option D

1. Install Listed interface bracket (not included) to display following instructions included with interface bracket.
2. Install FTR1U wall mount (J) to the bracket assembly using four 10-24 x 1/2" Phillips screws (D) and four 10-24 lock nuts (G). (See Figure 6)
3. Proceed to **Assembly of NAM1 Series to Rack** section.
4. Install display to FTR1U wall mount (J) following instructions included with FTR1U wall mount.

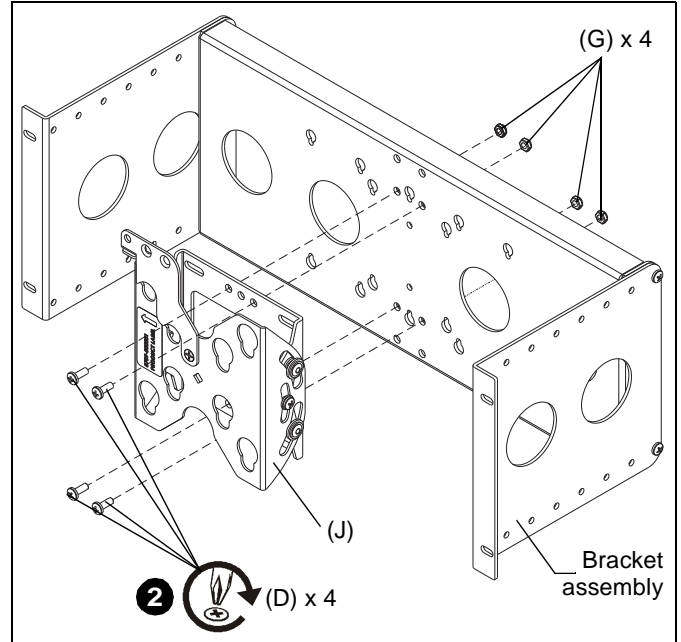


Figure 6

5. Install all cables.
6. **Installation Option D** is complete.

ASSEMBLY OF NAM1 SERIES TO RACK



WARNING: Failure to use proper fasteners can result in serious personal injury or damage to equipment! Fasteners supplied for convenience only.

1. Install bracket assembly to rack rails using four screws (D or F, or other fasteners as applicable). (See Figure 7)

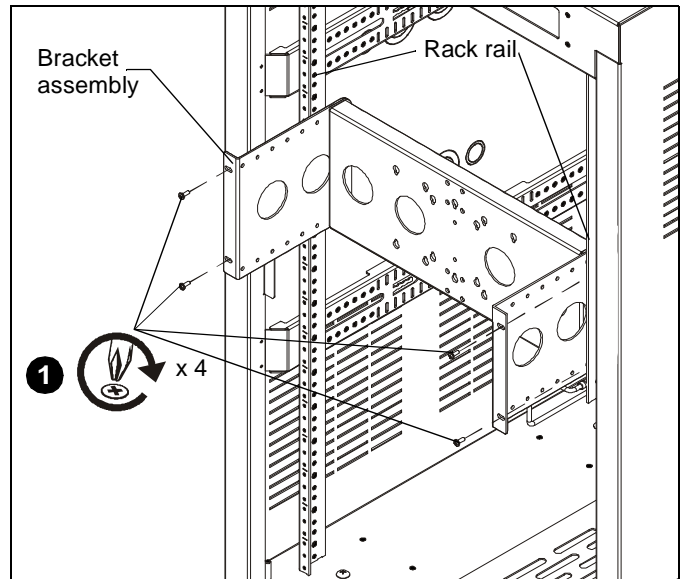


Figure 7

2. Return to **Installation Option A, B, C or D** section, as applicable.



Our Mounts. **Your Vision.**

Chief, a products division of
Milestone AV Technologies

8800-002905 Rev01
©2016 Milestone AV Technologies
www.milestone.com
12/16

USA/International	A 6436 City West Parkway, Eden Prairie, MN 55344
	P 800.582.6480 / 952.225.6000
	F 877.894.6918 / 952.894.6918
Europe	A Franklinstraat 14, 6003 DK Weert, Netherlands
	P +31 (0) 495 580 852
	F +31 (0) 495 580 845
Asia Pacific	A Office No. 918 on 9/F, Shatin Galleria 18-24 Shan Mei Street Fotan, Shatin, Hong Kong
	P 852 2145 4099
	F 852 2145 4477

