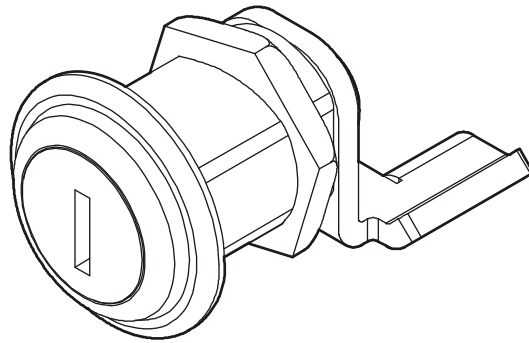

INSTALLATION INSTRUCTIONS






NW1 Rack Lock Kit

DISCLAIMER


Milestone AV Technologies and its affiliated corporations and subsidiaries (collectively "Milestone"), intend to make this manual accurate and complete. However, Milestone makes no claim that the information contained herein covers all details, conditions or variations, nor does it provide for every possible contingency in connection with the installation or use of this product. The information contained in this document is subject to change without notice or obligation of any kind. Milestone makes no representation of warranty, expressed or implied, regarding the information contained herein. Milestone assumes no responsibility for accuracy, completeness or sufficiency of the information contained in this document.

Chief® is a registered trademark of Milestone AV Technologies. All rights reserved.

LEGEND




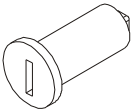
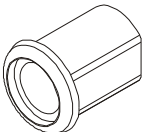

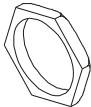




	Phillips Screwdriver
	Tighten Fastener
	Loosen Fastener

 **IMPORTANT SAFETY INSTRUCTIONS**

 **WARNING:** Failure to read, thoroughly understand, and follow all instructions can result in serious personal injury, damage to equipment, or voiding of factory warranty! It is the installer's responsibility to make sure all components are properly assembled and installed using the instructions provided.

--SAVE THESE INSTRUCTIONS--

TOOLS & PARTS REQUIRED FOR INSTALLATION

 		 A (1) [Lock column]	 B (1) [Barrel]	 C (1) [Collar]	 D (1) [Nut]
		 E (1) [Fastener]	 F (2) [Key]	 G (1) [Left lock bracket]	 H (1) [Right lock bracket]

(Discard remaining parts which are not shown here)

ASSEMBLY AND INSTALLATION

IMPORTANT ! : Before assembling lock, determine which lock bracket (G or H) will be used.

- The left lock bracket (G) is used on an NW1 rack which opens on the left (hinged on right side).
- The right lock bracket (H) is used on an NW1 rack which opens on the right (hinged on left side).

1. Remove knockout on open side of rack. (See Figure 1)
2. Slide lock column (A) into barrel (B).
3. Slide collar (C) onto barrel. (See Figure 1)
4. Insert assembled parts into NW1 rack from front.

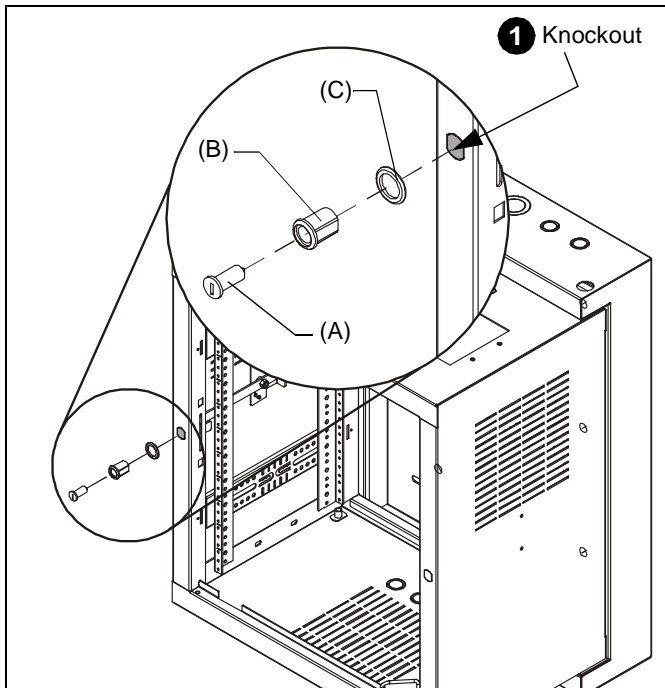


Figure 1

5. From the back, attach nut (D) to lock barrel (B). (See Figure 2)
6. Add right or left lock bracket (G or H).
7. Fasten lock assembly together using fastener (E). (See Figure 2)

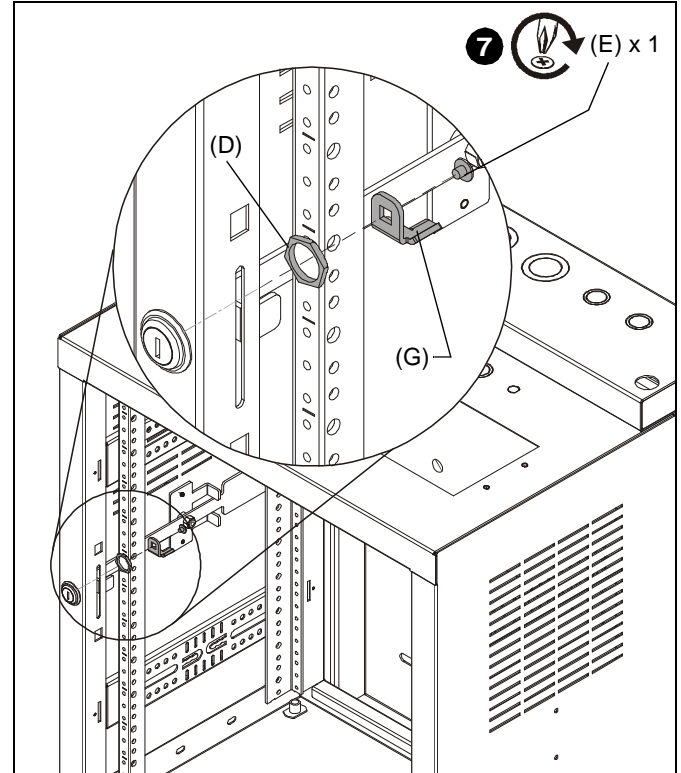


Figure 2

8. Ensure that lock bracket is situated under the end of the latch assembly to prevent NW1 rack from opening. (See Figure 3)
9. Turn key in lock to move lock bracket from under latch assembly, and to unlock NW1 rack. (See Figure 3)

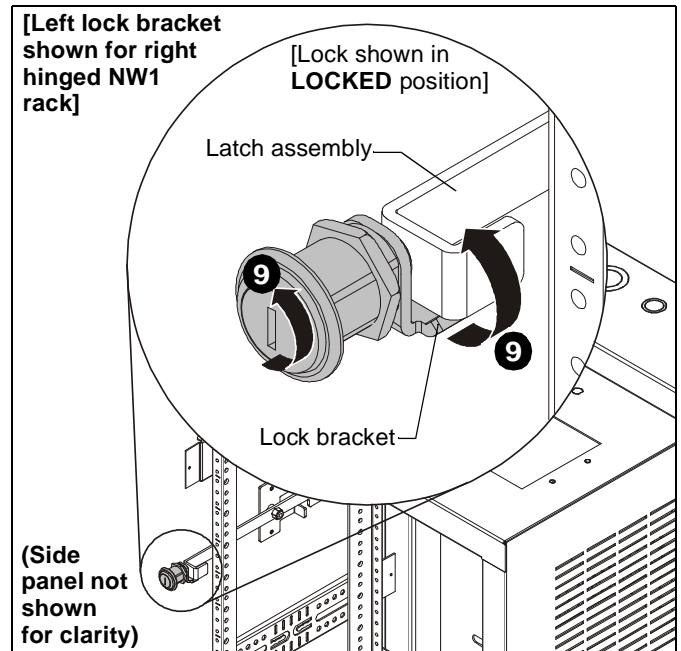


Figure 3



Our Mounts. **Your Vision.**

Chief Manufacturing, a products division
of Milestone AV Technologies

8800-002202 Rev00
©2012 Milestone AV Technologies, a
Duchossois Group Company
www.chiefmfg.com
07/12

USA/International	A 6436 City West Parkway, Eden Prairie, MN 55344 P 800.582.6480 / 952.225.6000 F 877.894.6918 / 952.894.6918
Europe	A Franklinstraat 14, 6003 DK Weert, Netherlands P +31 (0) 495 580 852 F +31 (0) 495 580 845
Asia Pacific	A Office No. 1 on 12/F, Shatin Galleria 18-24 Shan Mei Street Fotan, Shatin, Hong Kong P 852 2145 4099 F 852 2145 4477

