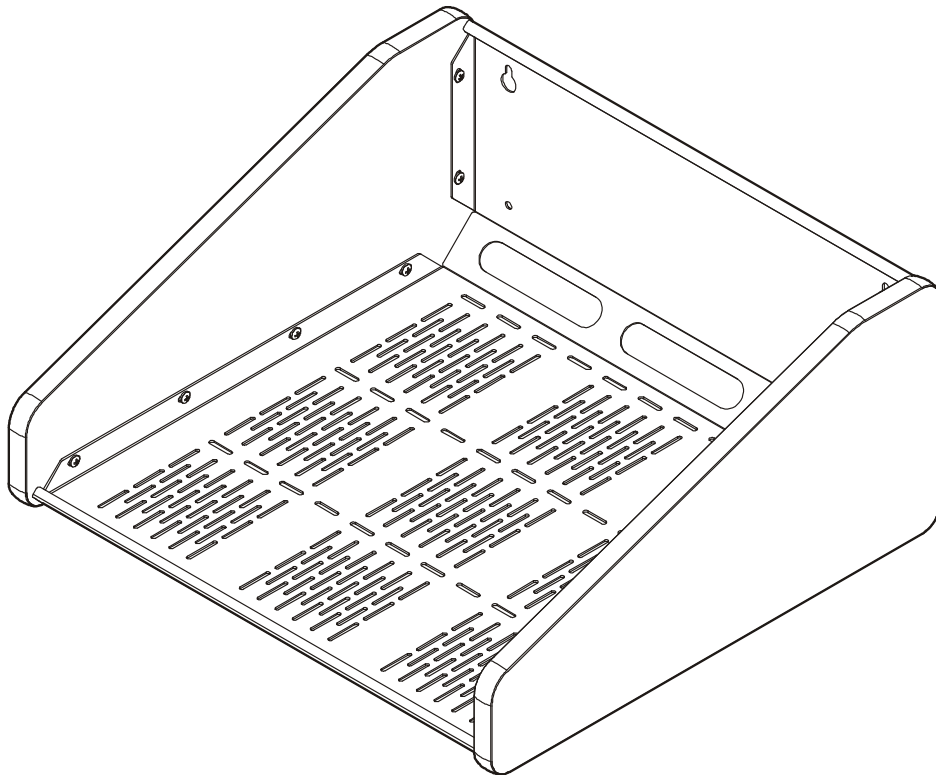

INSTALLATION INSTRUCTIONS



Wall Mount Component Shelf

DISCLAIMER

Milestone AV Technologies and its affiliated corporations and subsidiaries (collectively "Milestone"), intend to make this manual accurate and complete. However, Milestone makes no claim that the information contained herein covers all details, conditions or variations, nor does it provide for every possible contingency in connection with the installation or use of this product. The information contained in this document is subject to change without notice or obligation of any kind. Milestone makes no representation of warranty, expressed or implied, regarding the information contained herein. Milestone assumes no responsibility for accuracy, completeness or sufficiency of the information contained in this document.

Chief® is a registered trademark of Milestone AV Technologies. All rights reserved.

! IMPORTANT WARNINGS AND CAUTIONS!

! WARNING: A WARNING alerts you to the possibility of serious injury or death if you do not follow the instructions.

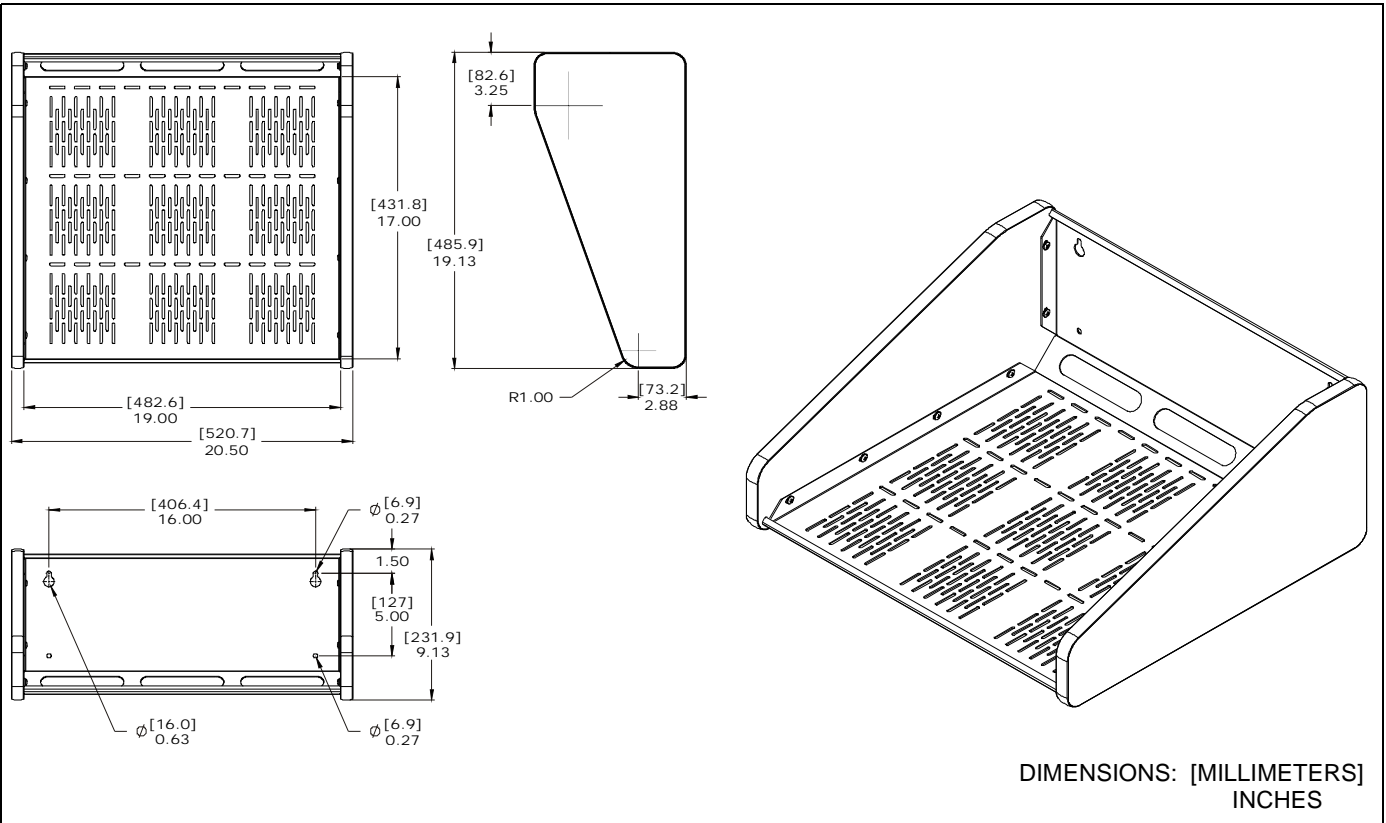
! CAUTION: A CAUTION alerts you to the possibility of damage or destruction of equipment if you do not follow the corresponding instructions.

! WARNING: Failure to read, thoroughly understand, and follow all instructions can result in serious personal injury, damage to equipment, or voiding of factory warranty! It is the installer's responsibility to make sure all components are properly assembled and installed using the instructions provided.



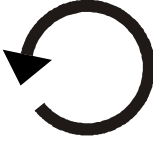

! WARNING: Failure to provide adequate structural strength for this component can result in serious personal injury or damage to equipment! It is the installer's responsibility to make sure the structure to which this component is attached can support five times the combined weight of all equipment. Reinforce the structure as required before installing the component. The wall to which the mount is being attached may have a maximum drywall thickness of 5/8" (1.6cm).

! WARNING: Exceeding the weight capacity can result in serious personal injury or damage to equipment! It is important to make sure the maximum weight installed on the shelf doesn't exceed 50 lbs (22.7 kg).

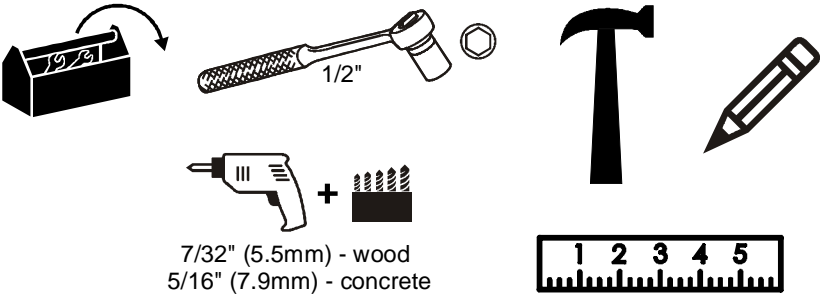
DIMENSIONS



LEGEND

	Tighten Fastener		Pencil Mark
	Apretar elemento de fijación		Marcar con lápiz
	Befestigungsteil festziehen		Stiftmarkierung
	Apertar fixador		Marcar com lápis
	Serrare il fissaggio		Segno a matita
	Bevestiging vastdraaien		Potloodmerkteken
Serrez les fixations	Marquage au crayon		
	Loosen Fastener		Drill Hole
	Aflojar elemento de fijación		Perforar
	Befestigungsteil lösen		Bohrloch
	Desapertar fixador		Fazer furo
	Allentare il fissaggio		Praticare un foro
	Bevestiging losdraaien		Gat boren
Desserrez les fixations	Percez un trou		

TOOLS AND HARDWARE




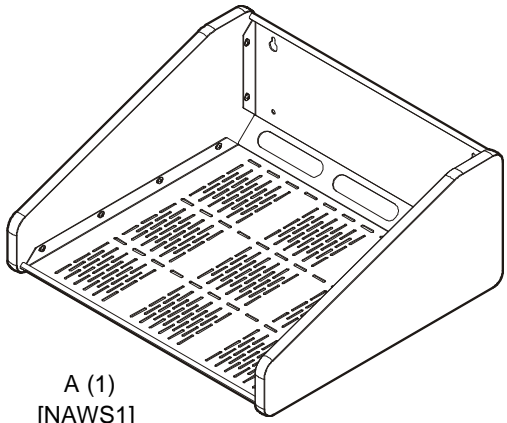
7/32" (5.5mm) - wood
5/16" (7.9mm) - concrete

Hardware required, not provided:

- 4 - 5/16-18 x 2-1/2" lag bolts
- 4 - 5/16" flat washers
- 4 - 5/16" toggler (for concrete install)

PARTS FOR INSTALLATION





A (1)
[NAWS1]

INSTALLATION

The NAWS1 has been designed to be mounted directly onto either a 2" x 4" (16" on center) wood stud wall, or a concrete wall.

Locate Mounting Site



WARNING: IMPROPER INSTALLATION CAN LEAD TO MOUNT FALLING CAUSING SEVERE PERSONAL INJURY OR DAMAGE TO EQUIPMENT! It is the installers responsibility to make certain the structure to which the mount is being attached is capable of supporting five times the weight of the NAWS1 and all attached equipment not to exceed 50 lbs (22.7 kg).

Proceed to either the **Installing to a Wood Stud Wall** section or the **Installing to a Concrete Wall** section.

Installing to a Wood Stud Wall



WARNING: ELECTRICAL SHOCK HAZARD! CUTTING OR DRILLING INTO ELECTRICAL CORDS OR CABLES CAN CAUSE DEATH OR SERIOUS PERSONAL INJURY! ALWAYS make certain area behind mounting surface is free of electrical wires and cables before drilling or installing fasteners.



WARNING: EXPLOSION AND FIRE HAZARD! CUTTING OR DRILLING INTO GAS PLUMBING CAN CAUSE DEATH OR SERIOUS PERSONAL INJURY! ALWAYS make certain area behind mounting surface is free of gas, water, waste, or any other plumbing before cutting, drilling, or installing fasteners.

1. Determine where the NAWS1 should be located on the wall.

NOTE: The NAWS1 must be attached to two 2" x 4" wood studs located 16" on center.

2. Using a level, mark the wall on two studs for the top mounting holes, and 5" below that for the lower mounting holes. (See Figure 1)
3. Drill four 7/32" (5.5mm) pilot holes at points marked in Step 2. (See Figure 1)
4. Use four 5/16 x 2-1/2" lag bolts (not included) and four 5/16" flat washers (not included) to attach shelf to wall. (See Figure 1)

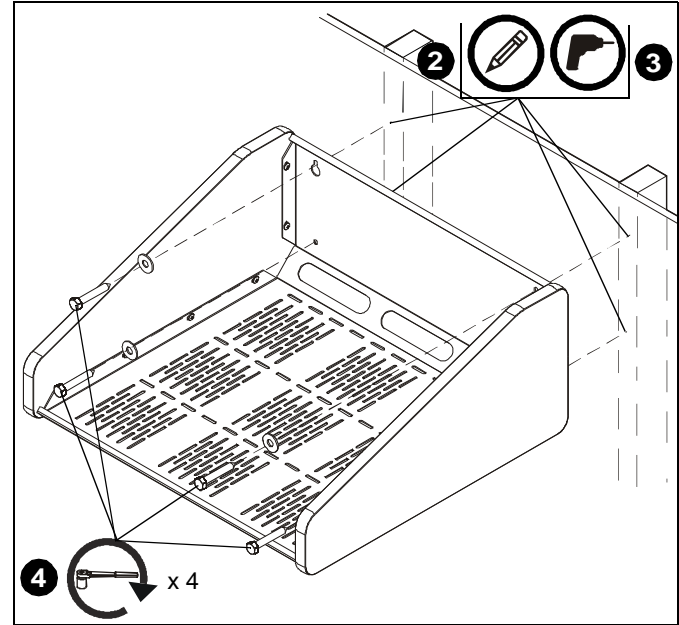


Figure 1

Installing to a Concrete Wall



WARNING: ELECTRICAL SHOCK HAZARD! CUTTING OR DRILLING INTO ELECTRICAL CORDS OR CABLES CAN CAUSE DEATH OR SERIOUS PERSONAL INJURY! ALWAYS make certain area behind mounting surface is free of electrical wires and cables before drilling or installing fasteners.



WARNING: EXPLOSION AND FIRE HAZARD! CUTTING OR DRILLING INTO GAS PLUMBING CAN CAUSE DEATH OR SERIOUS PERSONAL INJURY! ALWAYS make certain area behind mounting surface is free of gas, water, waste, or any other plumbing before cutting, drilling, or installing fasteners.

1. Determine where the NAWS1 should be located on the wall.

- Using a level, mark the wall 16" apart for the two top mounting holes, and 5" below the top mounting holes for the two lower mounting holes. (See Figure 2)
- Drill four 5/16" (7.9mm) pilot holes at points marked in Step 2. (See Figure 2)
- Install an anchor (not included) into each pilot hole. (See Figure 2)
- Use four 5/16 x 2-1/2" lag bolts (not included) and four 5/16" flat washers (not included) to attach shelf to wall. (See Figure 2)

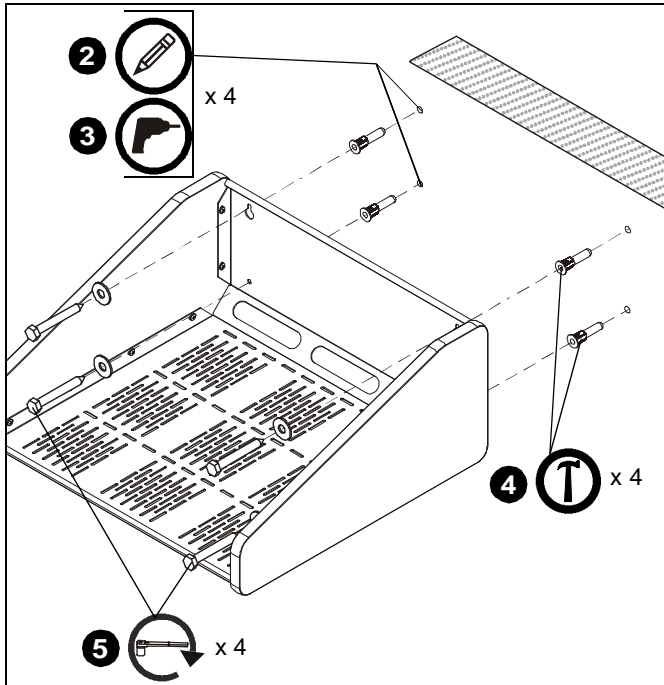


Figure 2



Our Mounts. **Your Vision.**

Chief, a products division of
Milestone AV Technologies

8800-002915 Rev00
©2016 Milestone AV Technologies
www.milestone.com
12/16

USA/International	A 6436 City West Parkway, Eden Prairie, MN 55344 P 800.582.6480 / 952.225.6000 F 877.894.6918 / 952.894.6918
Europe	A Franklinstraat 14, 6003 DK Weert, Netherlands P +31 (0) 495 580 852 F +31 (0) 495 580 845
Asia Pacific	A Office No. 918 on 9/F, Shatin Galleria 18-24 Shan Mei Street Fotan, Shatin, Hong Kong P 852 2145 4099 F 852 2145 4477

