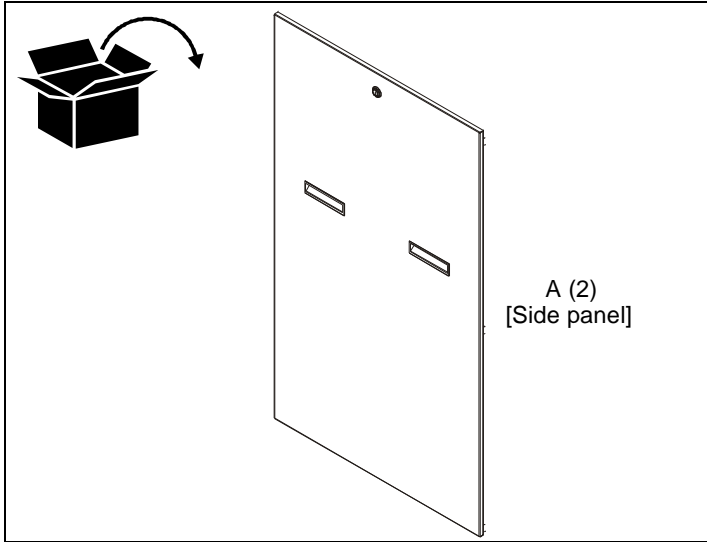


INSTALLATION INSTRUCTIONS

NG1S28/36/44 Side Panels

The NG1S side panels are designed for use with Chief® G1 Series racks. See the specific installation instructions provided with the rack for additional installation information.

PARTS INCLUDED



⚠ WARNING: FAILURE TO READ, THOROUGHLY UNDERSTAND, AND FOLLOW ALL INSTRUCTIONS CAN RESULT IN SERIOUS PERSONAL INJURY, DAMAGE TO EQUIPMENT, OR VOIDING OF FACTORY WARRANTY! It is the installer's responsibility to make sure all components are properly assembled and installed using the instructions provided.

NG1S Side Panels Installation

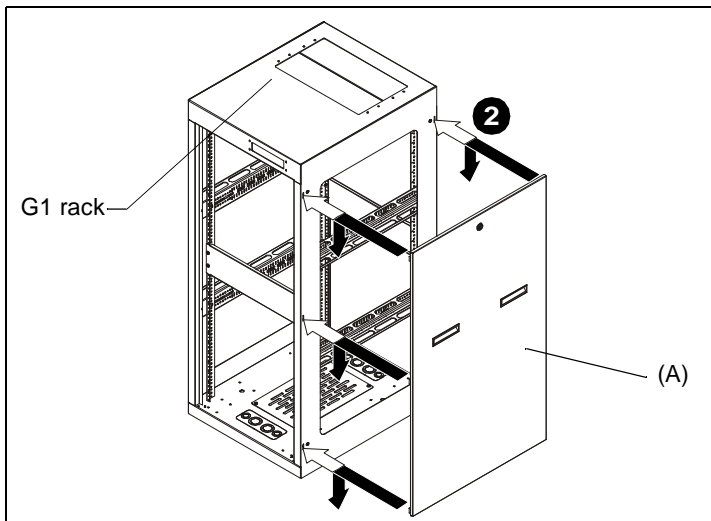


Figure 1

1. Align side tabs in side panel (A) with slots in G1 rack side. (See Figure 1)

NOTE: The number of tabs and slots will vary dependent on G1 rack being used.

2. Place side panel tabs into rack slots and lower side panel into place. (See Figure 1)
3. **OPTIONAL:** Turn key in lock to lock panel into place. (See Figure 2)

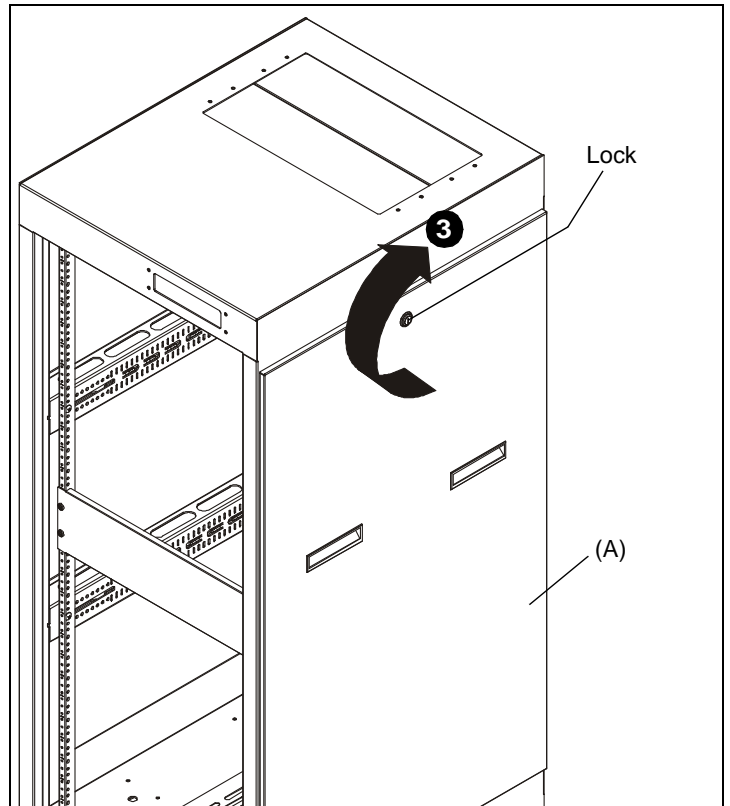


Figure 2

4. Attach additional side panels as required.

©Chief is a registered trademark of Milestone AV Technologies. All rights reserved.

Milestone AV Technologies, and its affiliated corporations and subsidiaries (collectively, "Milestone"), intend to make this manual accurate and complete. However, Milestone makes no claim that the information contained herein covers all details, conditions or variations, nor does it provide for every possible contingency in connection with the installation or use of this product. The information contained in this document is subject to change without notice or obligation of any kind. Milestone makes no representation of warranty, expressed or implied, regarding the information contained herein. Milestone assumes no responsibility for accuracy, completeness or sufficiency of the information contained in this document.



Our Mounts. Your Vision.

Chief, a products division of Milestone AV Technologies
6436 City West Parkway, Eden Prairie, MN 55344

• P: 800.582.6480 / 952.225.6000 • F: 877.894.6918 / 952.894.6918

8800-002925 Rev00
©2016 Milestone AV Technologies
www.milestone.com

12/16