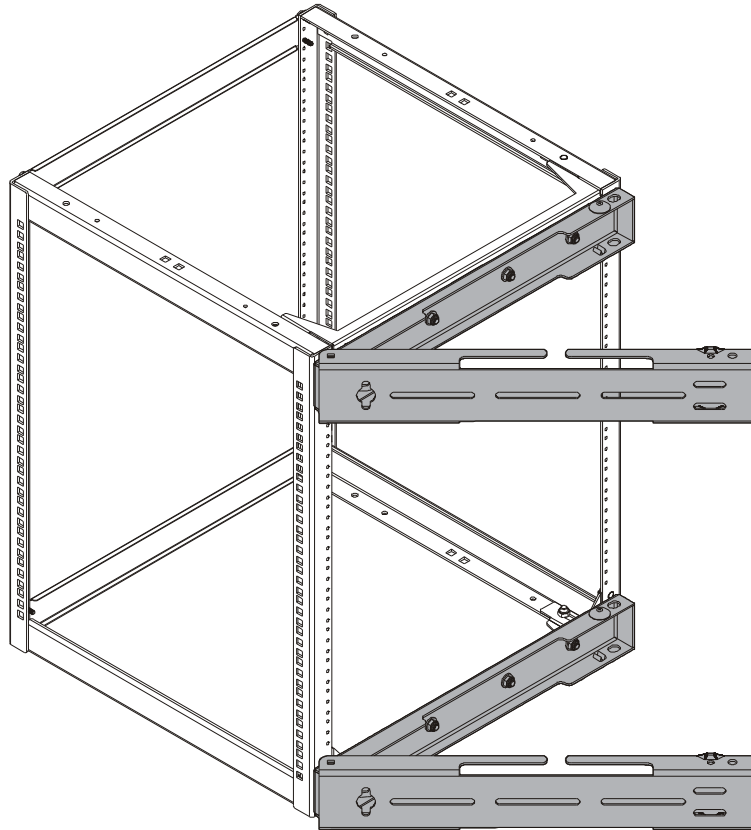


---

# INSTALLATION INSTRUCTIONS

---



---

## Wall Pivot Accessory

---

**DISCLAIMER**

Milestone AV Technologies and its affiliated corporations and subsidiaries (collectively "Milestone"), intend to make this manual accurate and complete. However, Milestone makes no claim that the information contained herein covers all details, conditions or variations, nor does it provide for every possible contingency in connection with the installation or use of this product. The information contained in this document is subject to change without notice or obligation of any kind. Milestone makes no representation of warranty, expressed or implied, regarding the information contained herein. Milestone assumes no responsibility for accuracy, completeness or sufficiency of the information contained in this document.

Chief® is a registered trademark of Milestone AV Technologies. All rights reserved.

**! IMPORTANT SAFETY INSTRUCTIONS**

**! WARNING:** A WARNING alerts you to the possibility of serious injury or death if you do not follow the instructions.

**! CAUTION:** A CAUTION alerts you to the possibility of damage or destruction of equipment if you do not follow the corresponding instructions.

**! WARNING:** Failure to read, thoroughly understand, and follow all instructions can result in serious personal injury, damage to equipment, or voiding of factory warranty! It is the installer's responsibility to make sure all components are properly assembled and installed using the instructions provided.

**! WARNING:** Failure to provide adequate structural strength for this component can result in serious personal injury or damage to equipment! It is the installer's responsibility to make sure the structure to which this component is attached can support five times the combined weight of all equipment. Reinforce the structure as required before installing the component.

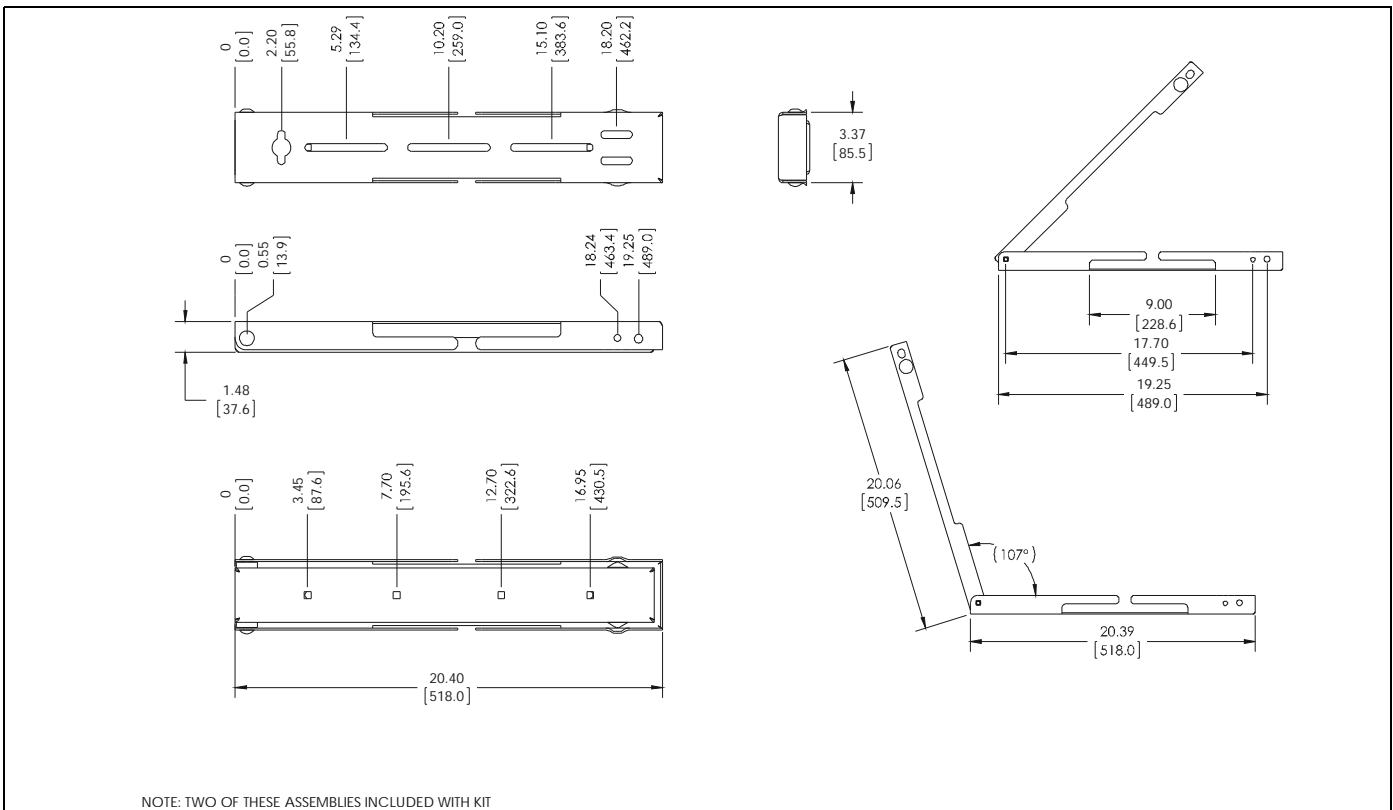
**! WARNING:** Exceeding the weight capacity can result in serious personal injury or damage to equipment! It is the installer's responsibility to make sure the combined weight of all components located within the rack does not exceed 600 lbs (272 kg) if rack is free-standing or stacked or 200 lbs (90.7 kg) if mounted to a wall. Use with products heavier than the maximum weight indicated may result in instability or collapse of the rack causing possible injury.

**! WARNING:** Do not use this product outdoors.

**IMPORTANT ! :** The NS2SK accessory is designed to be mounted to an 8" concrete, 8"x8"x16" concrete block, or 2" x 4" wood studs (16" on center) wall.

**--SAVE THESE INSTRUCTIONS--**

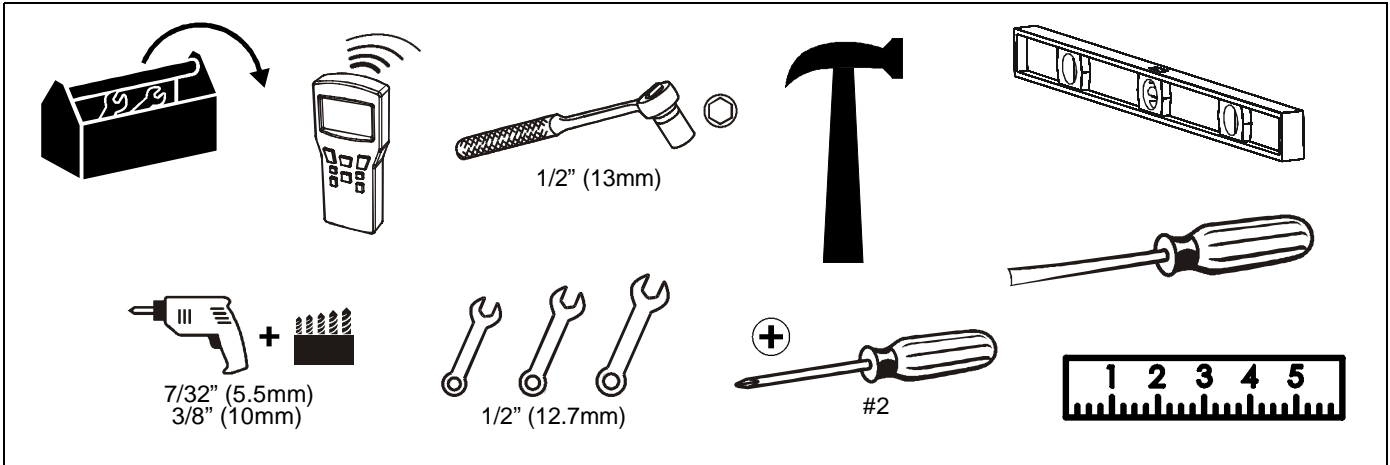
**DIMENSIONS**



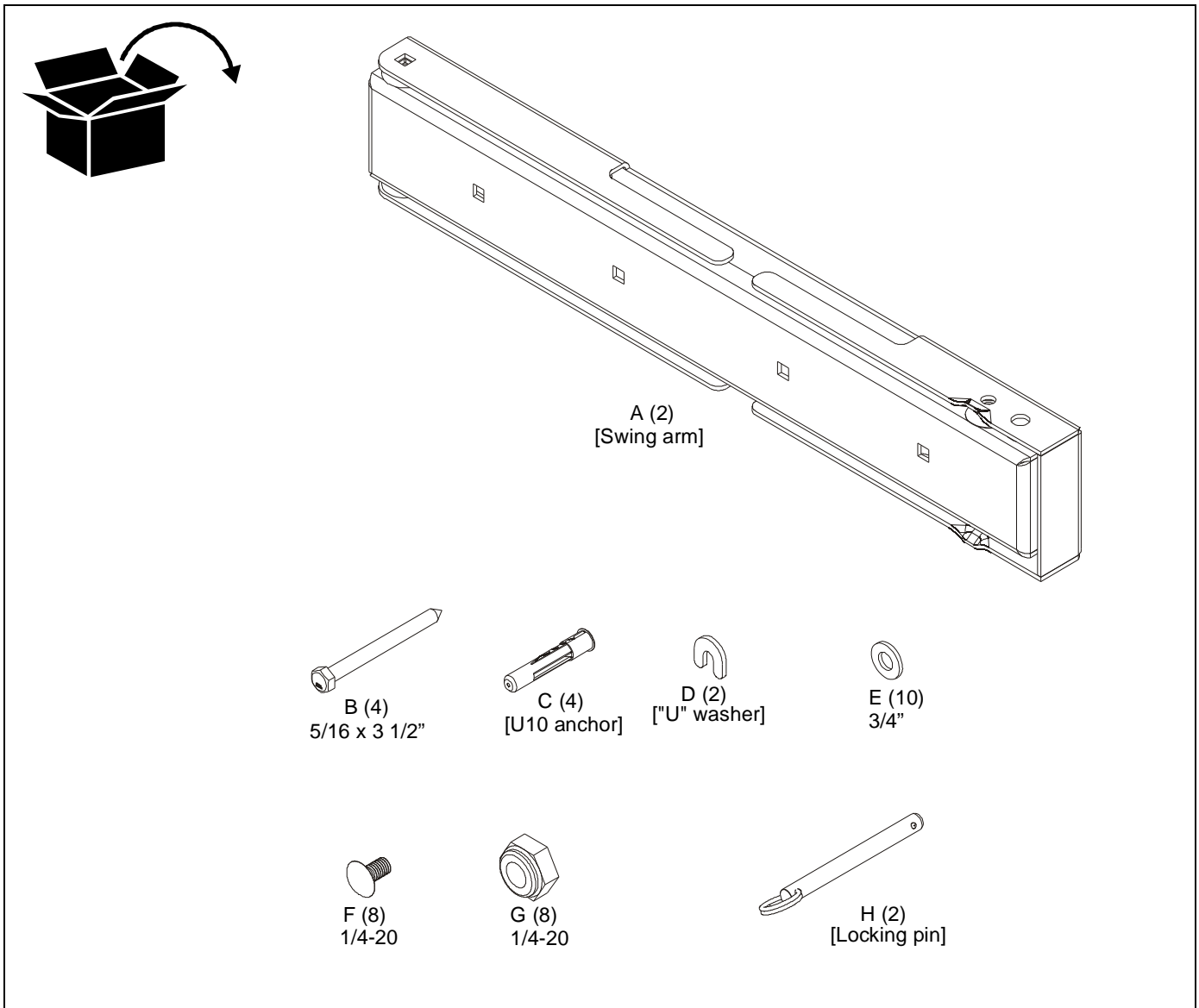
**LEGEND**

	<p><b>Tighten Fastener</b></p> <p>Apretar elemento de fijación</p> <p>Befestigungsteil festziehen</p> <p>Apertar fixador</p> <p>Serrare il fissaggio</p> <p>Bevestiging vastdraaien</p> <p>Serrez les fixations</p>		<p><b>Pencil Mark</b></p> <p>Marcar con lápiz</p> <p>Stiftmarkierung</p> <p>Marcar com lápis</p> <p>Segno a matita</p> <p>Potloodmerkten</p> <p>Marquage au crayon</p>
	<p><b>Loosen Fastener</b></p> <p>Aflojar elemento de fijación</p> <p>Befestigungsteil lösen</p> <p>Desapertar fixador</p> <p>Allentare il fissaggio</p> <p>Bevestiging losdraaien</p> <p>Desserrez les fixations</p>		<p><b>Drill Hole</b></p> <p>Perforar</p> <p>Bohrloch</p> <p>Fazer furo</p> <p>Praticare un foro</p> <p>Gat boren</p> <p>Percez un trou</p>
	<p><b>Phillips Screwdriver</b></p> <p>Destornillador Phillips</p> <p>Kreuzschlitzschraubendreher</p> <p>Chave de fendas Phillips</p> <p>Cacciavite a stella</p> <p>Kruiskopschroevendraaier</p> <p>Tournevis à pointe cruciforme</p>		<p><b>Adjust</b></p> <p>Ajustar</p> <p>Einstellen</p> <p>Ajustar</p> <p>Regolare</p> <p>Afstellen</p> <p>Ajuster</p>
	<p><b>Open-Ended Wrench</b></p> <p>Llave de boca</p> <p>Gabelschlüssel</p> <p>Chave de bocas</p> <p>Chiave a punte aperte</p> <p>Steeksleutel</p> <p>Clé à fourche</p>		<p><b>Remove</b></p> <p>Quitar</p> <p>Entfernen</p> <p>Remover</p> <p>Rimuovere</p> <p>Verwijderen</p> <p>Retirez</p>
	<p><b>By Hand</b></p> <p>A mano</p> <p>Von Hand</p> <p>Com a mão</p> <p>A mano</p> <p>Met de hand</p> <p>À la main</p>		<p><b>Optional</b></p> <p>Opcional</p> <p>Optional</p> <p>Opcional</p> <p>Opzionale</p> <p>Optie</p> <p>En option</p>
	<p><b>Hex-Head Wrench</b></p> <p>Llave de cabeza hexagonal</p> <p>Sechskantschlüssel</p> <p>Chave de cabeça sextavada</p> <p>Chiave esagonale</p> <p>Zeskantsleutel</p> <p>Clé à tête hexagonale</p>		<p><b>Security Wrench</b></p> <p>Llave de seguridad</p> <p>Sicherheitsschlüssel</p> <p>Chave de segurança</p> <p>Chiave di sicurezza</p> <p>Veiligheidsleutel</p> <p>Clé de sécurité</p>

**TOOLS REQUIRED FOR INSTALLATION**



**PARTS**



## Assembly And Installation

### Attachment to Frame

**NOTE:** The NS2SK swing arms may be mounted to swing out to the left or the right. Determine the preferable orientation prior to beginning procedure.

1. Use eight 1/4-20 carriage bolts (F), eight 3/4" washers (E) and eight 1/4-20 hex nuts (G) to secure two swing arms (A) to braces of NS2F1520-2020 rack. (See Figure 1)

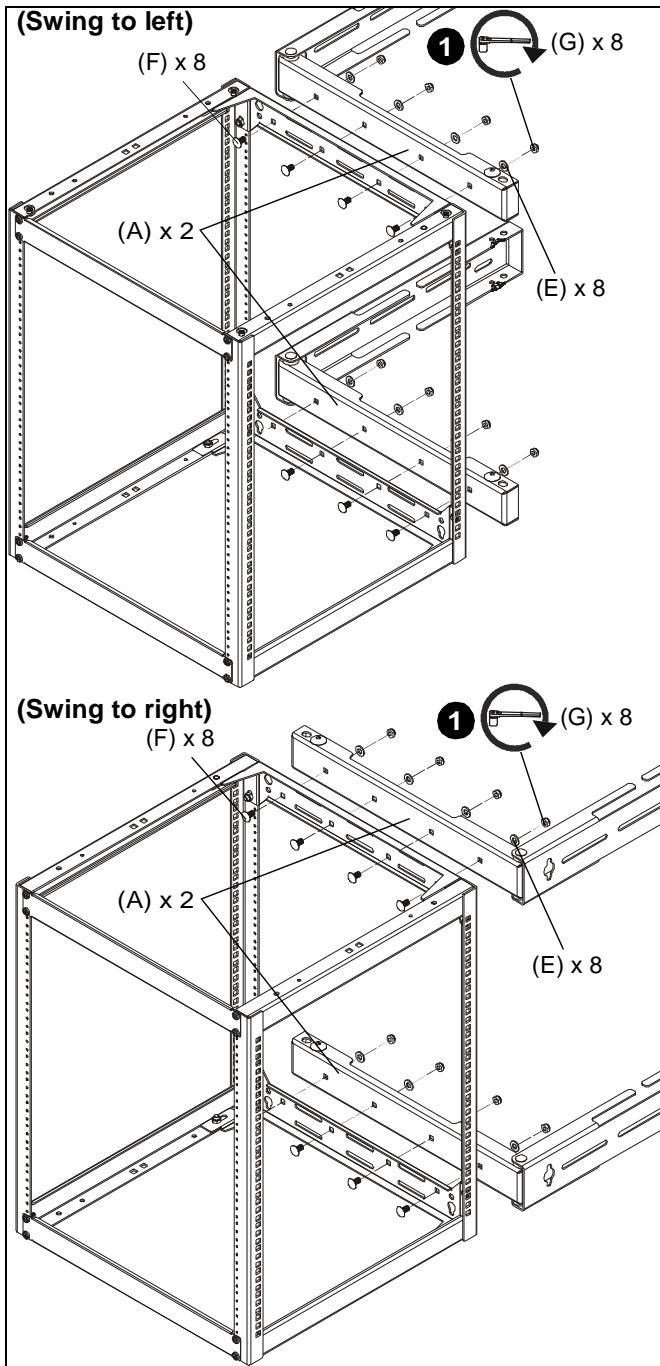


Figure 1

### Mounting to Wall - Wood Studs

**NOTE:** If installing to Concrete/Concrete Block, proceed to Mounting to Concrete/Concrete Block Section. If installing a Stacked Rack, proceed to Mounting Stacked Rack Sections.

1. Use a stud finder to locate wood studs.
2. Place NS2SK swing arms (A) over studs and mark hole locations. (See Figure 2)

**NOTE:** Holes must be drilled 23 1/8" (578.4mm) apart vertically if mounting an NS2F1520 or 31 7/8" (809.6mm) apart vertically if mounting an NSF2020. (See Figure 2)

**IMPORTANT ! :** Use a level to make sure of a level mount.

3. Drill four 7/32" (5.5mm) diameter holes to a depth of 3 1/2" (89mm) at marked locations. (See Figure 2)

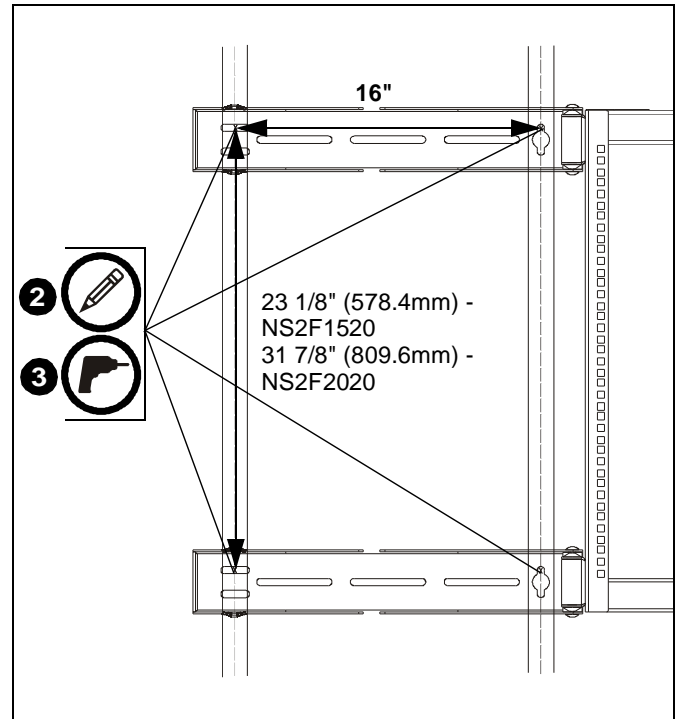


Figure 2

4. Partially install two 5/16" x 3 1/2" lag bolts (B) into holes on the side where the teardrop mounting holes will be used. (See Figure 3)
5. Hang two swing arms (A) onto partially installed bolts. (See Figure 3)

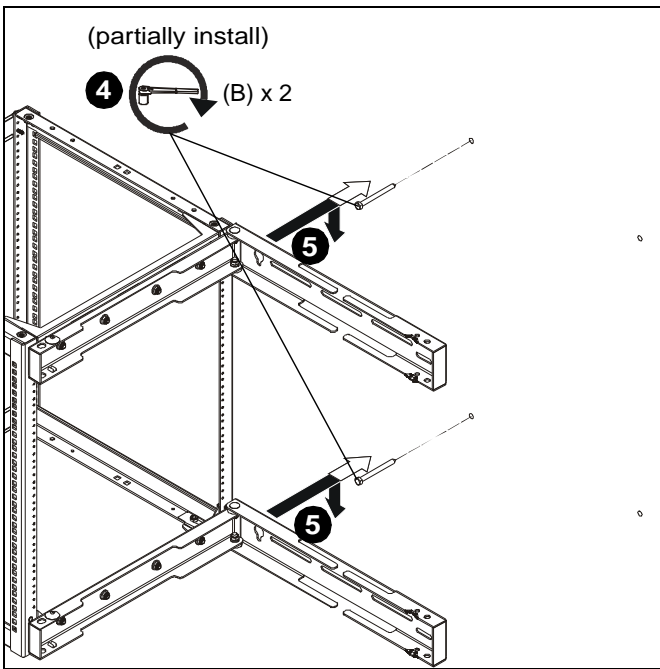


Figure 3

6. Slide two "U" washers (D) onto lag bolts (B). (See Figure 4)
7. Tighten two lag bolts (B) until "U" washers (D) are pulled firmly against the brace. (See Figure 4)

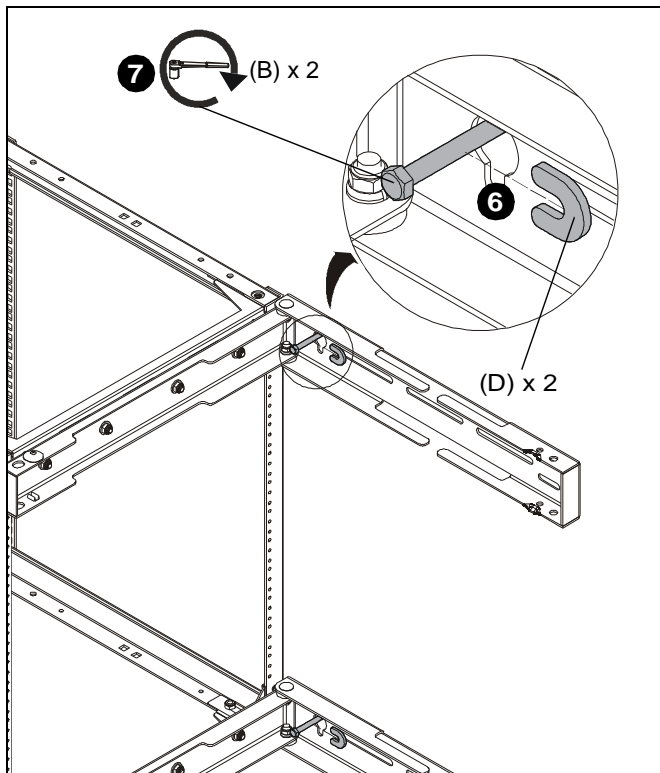


Figure 4

8. Use two 5/16" x 3 1/2" lag bolts (B) and two 3/4" spacers (E) to secure opposite side of bracket to wall. (See Figure 5)

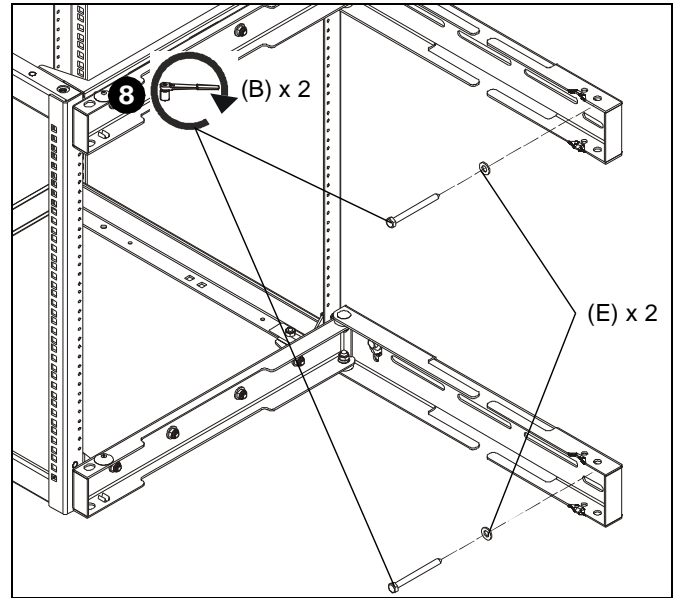


Figure 5

### Mounting Single Rack to Wall - Concrete or Concrete Block

1. Determine mounting location.
2. Place assembled frame on wall and mark hole locations. (See Figure 6)

**NOTE:** Holes must be drilled 23 1/8" (578.4mm) apart vertically if mounting an NS2F1520 or 31 7/8" (809.6mm) apart vertically if mounting an NSF2020. (See Figure 6)

**IMPORTANT ! :** Use a level to make sure of a level mount.

3. Drill four 3/8" (10mm) diameter holes to a depth of 3 1/2" (89mm) at marked locations. (See Figure 6)

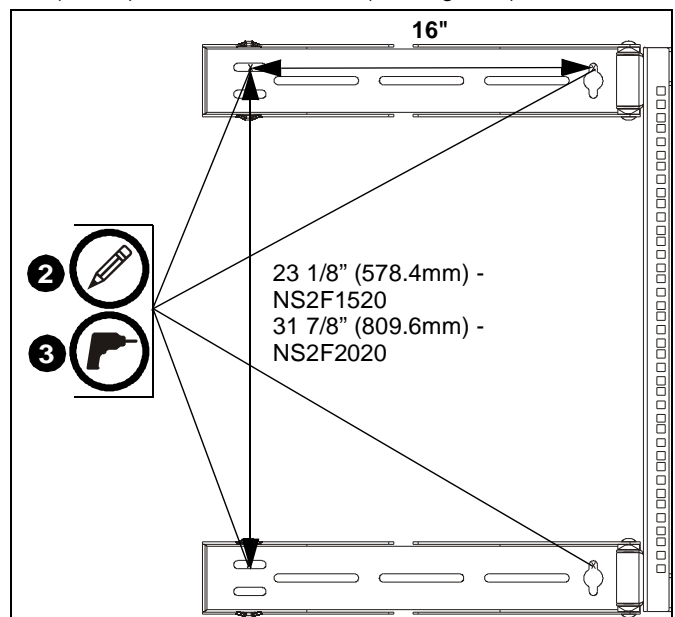


Figure 6

- Install four U10 anchors (C) into drilled holes. (See Figure 7)

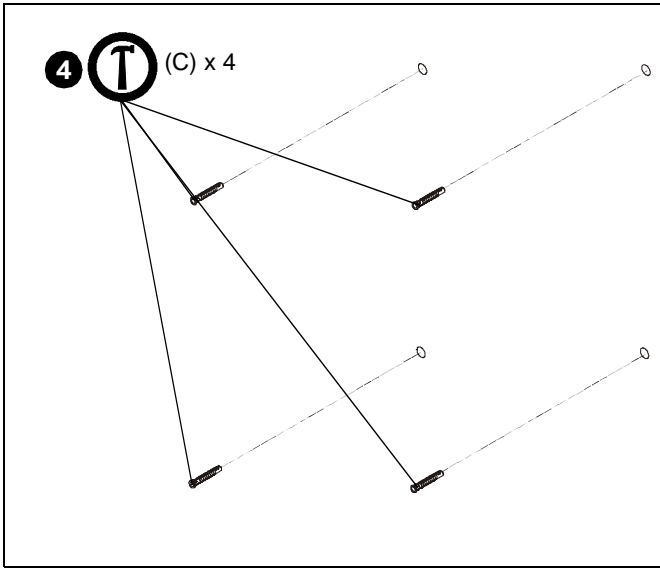


Figure 7

- Partially install two 5/16" x 3 1/2" lag bolts (B) into U10 anchors (C) on the side where the teardrop mounting holes will be used. (See Figure 8)
- Hang two swing arms (A) onto partially installed bolts. (See Figure 8)

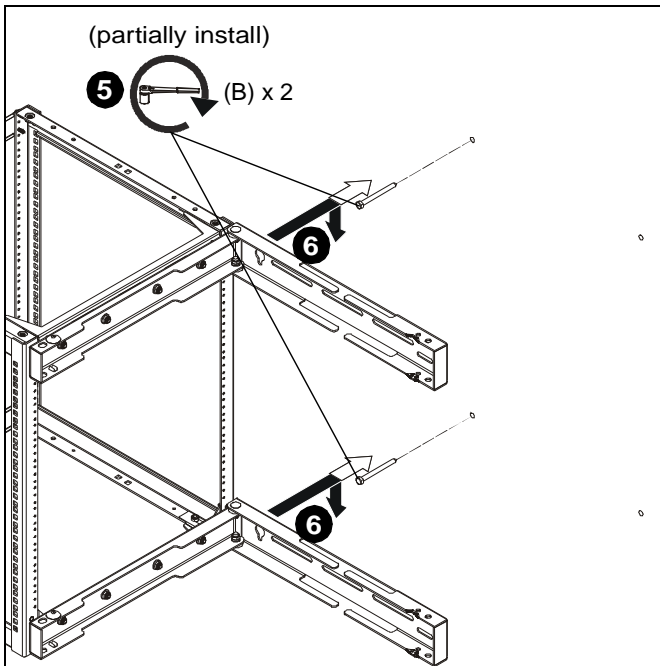


Figure 8

- Slide two "U" washers (D) onto lag bolts (B). (See Figure 9)
- Tighten two lag bolts (B) until "U" washers (D) are pulled firmly against the brace. (See Figure 9)

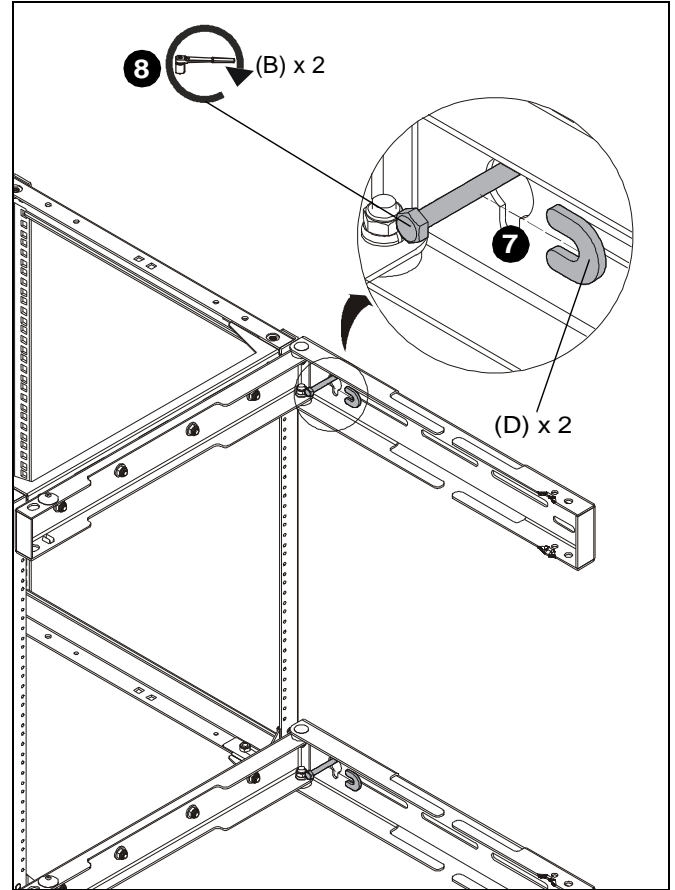


Figure 9

- Use two 5/16" x 3 1/2" lag bolts (B) and two 3/4" spacers (E) to secure opposite side of bracket to wall. (See Figure 10)

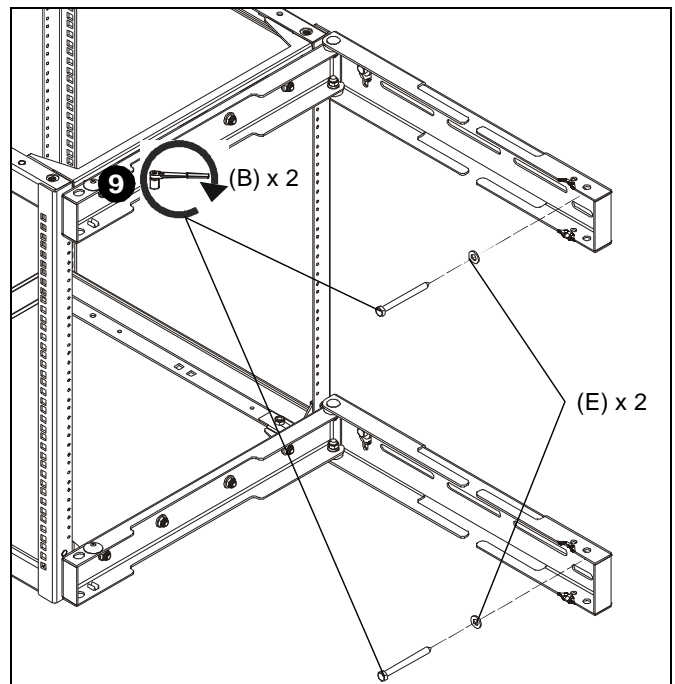


Figure 10

## Locking Frame to Wall

1. Gently swing rack into locked position against wall. (See Figure 11)

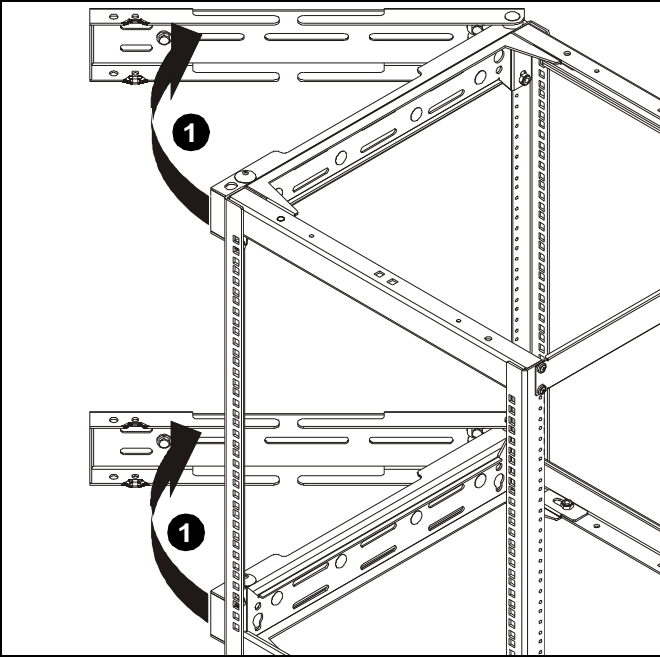


Figure 11

2. Use two locking pins (H) to secure rack in the locked position. (See Figure 12)

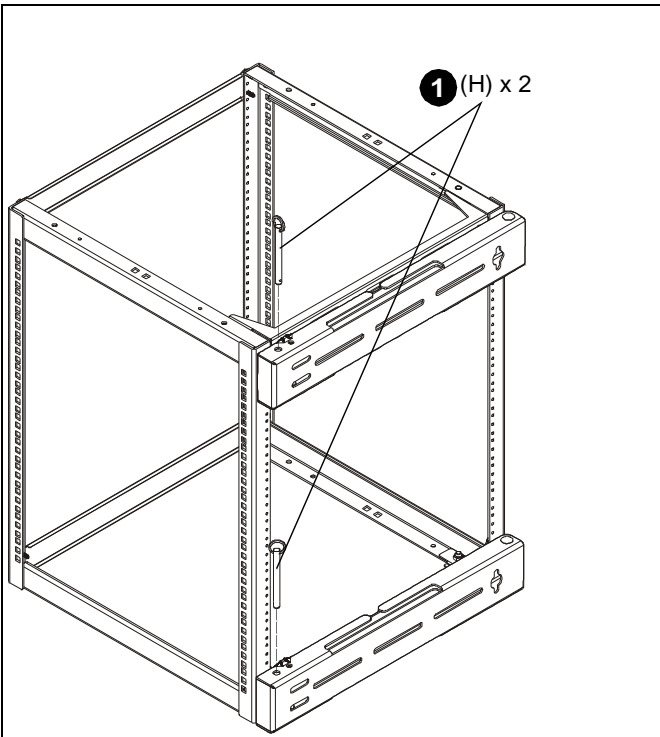


Figure 12











Our Mounts. **Your Vision.**

Chief, a products division of  
Milestone AV Technologies

8800-002708 Rev00  
©2015 Milestone AV Technologies  
[www.chiefmfg.com](http://www.chiefmfg.com)  
02/15

<b>USA/International</b>	<b>A</b> 6436 City West Parkway, Eden Prairie, MN 55344 <b>P</b> 800.582.6480 / 952.225.6000 <b>F</b> 877.894.6918 / 952.894.6918
<b>Europe</b>	<b>A</b> Franklinstraat 14, 6003 DK Weert, Netherlands <b>P</b> +31 (0) 495 580 852 <b>F</b> +31 (0) 495 580 845
<b>Asia Pacific</b>	<b>A</b> Office No. 918 on 9/F, Shatin Galleria 18-24 Shan Mei Street Fotan, Shatin, Hong Kong <b>P</b> 852 2145 4099 <b>F</b> 852 2145 4477

