



INSTALLATION INSTRUCTIONS

OFB-104, OFB-111, OFB-113, OFB-117, OFB-143, OFB-169 and OFB-174 PANEL-TO-PANEL & WALL TRACK MOUNT ADAPTER BRACKET

Prior to assembly, unpack carton completely and verify contents.

If you are missing any of the following components, please contact Customer Service at 1-800/582-6480

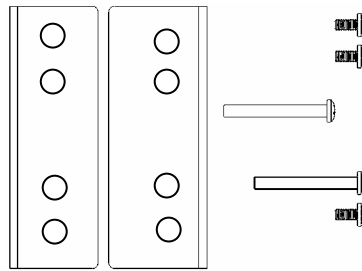


Figure 1

- | | |
|--|----------------------------------|
| (1) Adapter Bracket, Right | (3) Screw, Pan Head, 10-24 |
| (1) Adapter Bracket, Left | (1) Screw, Pan Head, Long, 10-24 |
| (1) Screw, Pan Head, Nylon (OFB-143, 169 & 174 ONLY) | |

BEFORE PROCEEDING, READ INSTALLATION INSTRUCTIONS COMPLETELY

NOTE: Suggested tools include a magnetic screwdriver and a small hammer.

NOTE: Inserting adapter bracket into slots may require tapping it into place with a small hammer.

1. Place the right adapter bracket, tabs facing down, over the left adapter bracket, tabs facing down (see Figure 2).
2. Slide the two adapter brackets into the office furniture mounting slots at the desired location and slide them down into place.

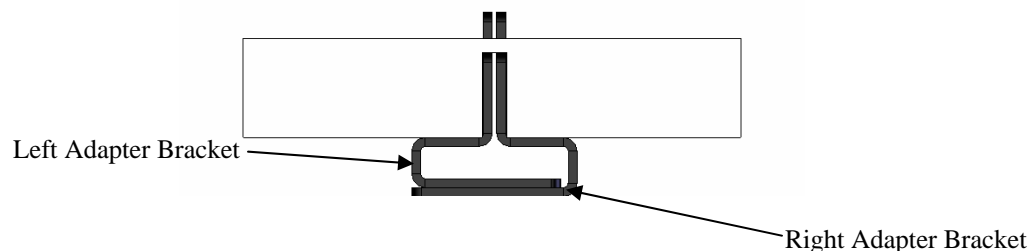


Figure 2

- Secure the mounting bracket (supplied with your mounting assembly) to the adapter brackets using three short 10-24 pan head screws (see Figure 3).

NOTE: Holes in the mounting bracket supplied with your mounting assembly should align with two threaded holes in the adapter brackets. If holes do not align, adapter brackets are not seated and must be tapped further into place.

- Secure the mounting bracket to the mounting furniture slot using the longer 10-24 pan head screw (see Figure 4), making sure the longer screw protrudes into the mounting slot to lock the unit in place.
- Replace one 10-24 pan head screw with Nylon screw (provided) to prevent furniture paint damage if necessary, being careful not to over tighten Nylon screw.
- Install your mount as described in the directions accompanying your mount.

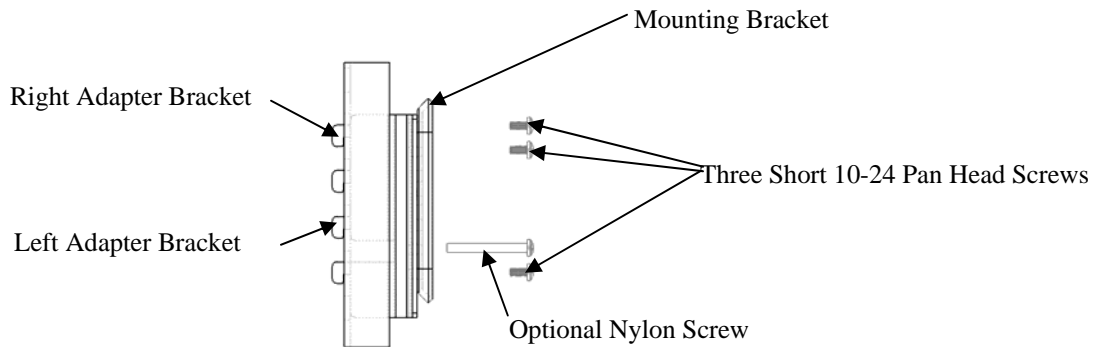


Figure 3

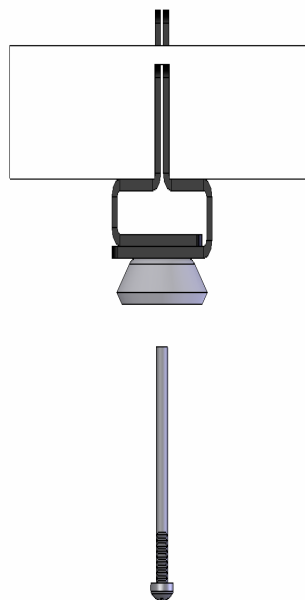


Figure 4