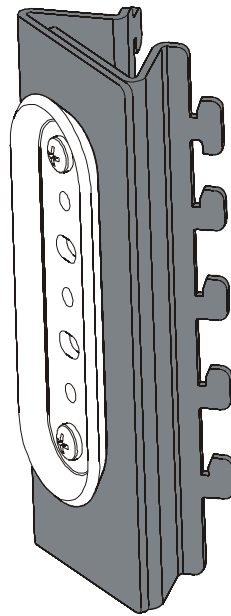

INSTALLATION INSTRUCTIONS



Office Furniture Corner Adapter Bracket

DISCLAIMER

Milestone AV Technologies and its affiliated corporations and subsidiaries (collectively "Milestone"), intend to make this manual accurate and complete. However, Milestone makes no claim that the information contained herein covers all details, conditions or variations, nor does it provide for every possible contingency in connection with the installation or use of this product. The information contained in this document is subject to change without notice or obligation of any kind. Milestone makes no representation of warranty, expressed or implied, regarding the information contained herein. Milestone assumes no responsibility for accuracy, completeness or sufficiency of the information contained in this document.

Chief® is a registered trademark of Milestone AV Technologies. All rights reserved.

! IMPORTANT SAFETY INSTRUCTIONS!

! WARNING: A WARNING alerts you to the possibility of serious injury or death if you do not follow the instructions.

! CAUTION: A CAUTION alerts you to the possibility of damage or destruction of equipment if you do not follow the corresponding instructions.

! WARNING: Failure to read, thoroughly understand, and follow all instructions can result in serious personal injury, damage to equipment, or voiding of factory warranty! It is the installer's responsibility to make sure all components are properly assembled and installed using the instructions provided.

! WARNING: Failure to provide adequate structural strength for this component can result in serious personal injury or damage to equipment! It is the installer's responsibility to make sure the structure to which this component is attached can support five times the combined weight of all equipment. Reinforce the structure as required before installing the component.

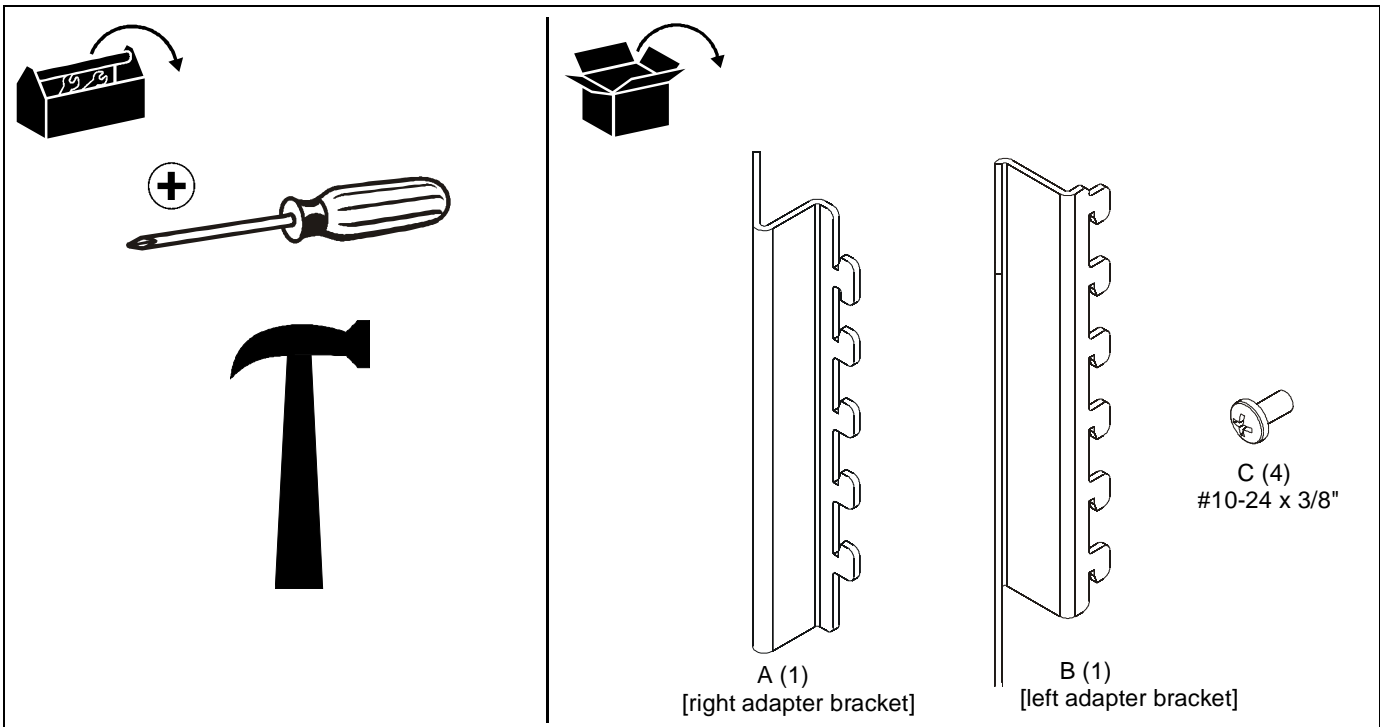
! WARNING: Exceeding the weight capacity can result in serious personal injury or damage to equipment! It is the installer's responsibility to make sure the combined weight of all components mounted to the OFB bracket does not exceed 40 lbs (14.93 kg).

! WARNING: Do NOT use this product outdoors.

! WARNING: Use this product only for its intended use as described in these instructions. Do not use attachments not recommended by the manufacturer.

--SAVE THESE INSTRUCTIONS--

TOOLS / PARTS FOR INSTALLATION



ASSEMBLY AND INSTALLATION

NOTE: Inserting adapter brackets (A and B) into slots may require tapping them into place with a small hammer.

1. Insert the right adapter bracket (A) into right corner of office furniture mounting slots at desired mounting height. (See Figure 1)

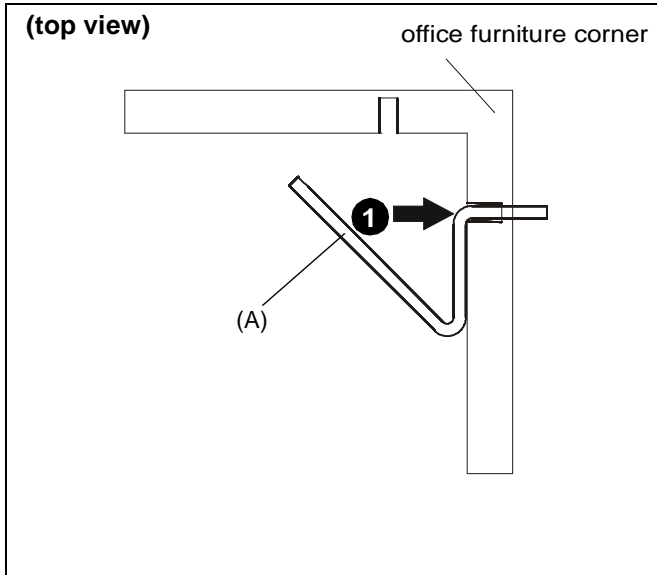


Figure 1

2. Insert the left adapter bracket (B) into left corner of office furniture mounting slots at desired mounting height. Slide bracket down until mounting holes align with corresponding holes on right adapter bracket (A). (See Figure 2)

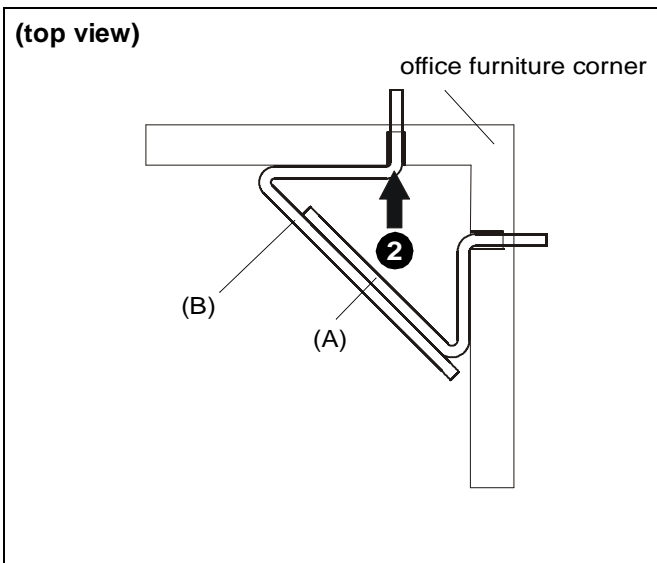


Figure 2

3. Use four #10-24 x 3/8" Phillips pan machine screws (C) to secure mounting bracket supplied with mounting assembly to adapter brackets (A and B). (See Figure 3)

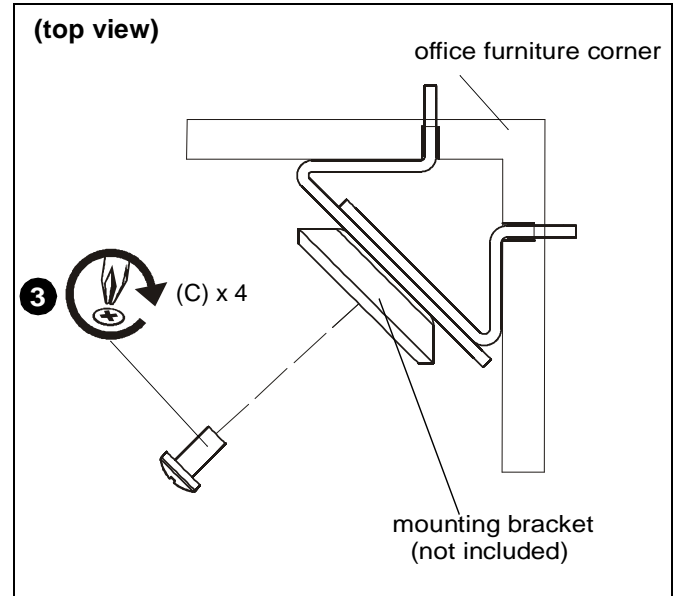


Figure 3

4. Proceed with mount installation according to the mount's installation instructions.



Our Mounts. **Your Vision.**

Chief Manufacturing, a products division
of Milestone AV Technologies

8812-000003 Rev01
©2011 Milestone AV Technologies, a
Duchossois Group Company
www.chiefmfg.com
10/11

USA/International

A 8401 Eagle Creek Parkway, Savage, MN 55378
P 800.582.6480 / 952.894.6280
F 877.894.6918 / 952.894.6918

Europe

A Fellenoord 130 5611 ZB EINDHOVEN, The Netherlands
P +31 (0)40 2668620
F +31 (0)40 2668615

Asia Pacific

A Office No. 1 on 12/F, Shatin Galleria
18-24 Shan Mei Street
Fotan, Shatin, Hong Kong
P 852 2145 4099
F 852 2145 4477

