



INSTALLATION INSTRUCTIONS

OFB-137

TILE ASSEMBLY ADAPTER BRACKET

Prior to assembly, unpack carton completely and verify contents.

If you are missing any of the following components, please contact Customer Service at 1-800/582-6480

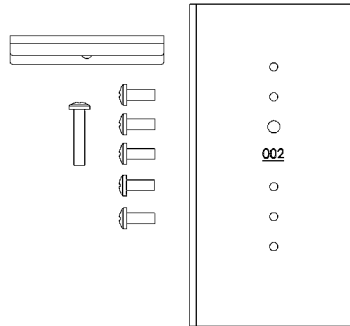


Figure 1

- (1) Adapter Bracket
- (1) Locking Plate

- (5) Screw, pan head, 10-24, Short
- (1) Screw, pan head, 10-24, Long

BEFORE PROCEEDING, READ INSTALLATION INSTRUCTIONS COMPLETELY

NOTE: Suggested tool includes a magnetic screwdriver.

1. Using one 10-24 short pan head screw, loosely attach the mounting bracket (supplied with your mounting assembly) and the locking plate to the adapter bracket (see Figure 2).
2. Loosely install four remaining 10-24 short pan head screws (see Figure 3)

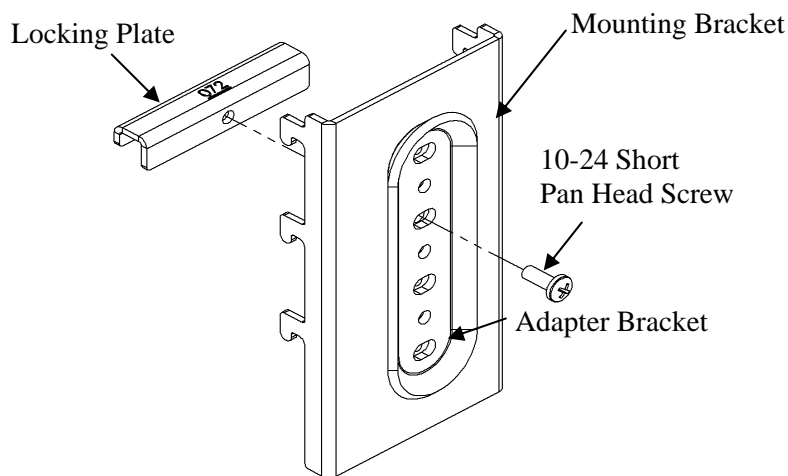


Figure 2

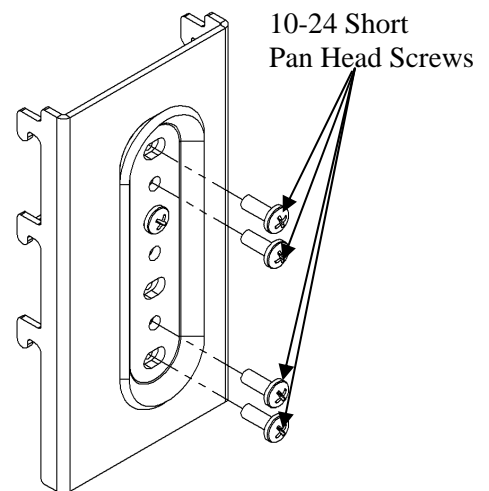


Figure 3

3. Install the adapter bracket in slots of the office furniture, tabs facing down, at desired location and push down until seated (see Figure 4).
4. Install the long 10-24 pan head screw, making sure screw fits into slot of office furniture (see Figure 5).
5. Tighten all screws.
6. Install your mount as described in the directions accompanying your mount.

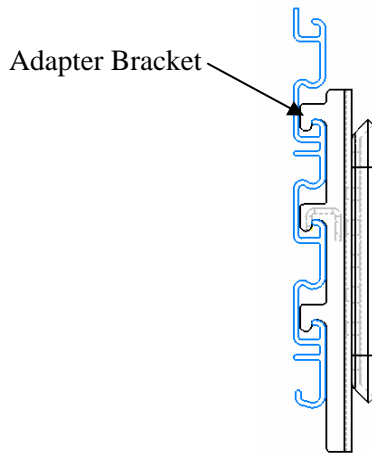


Figure 4

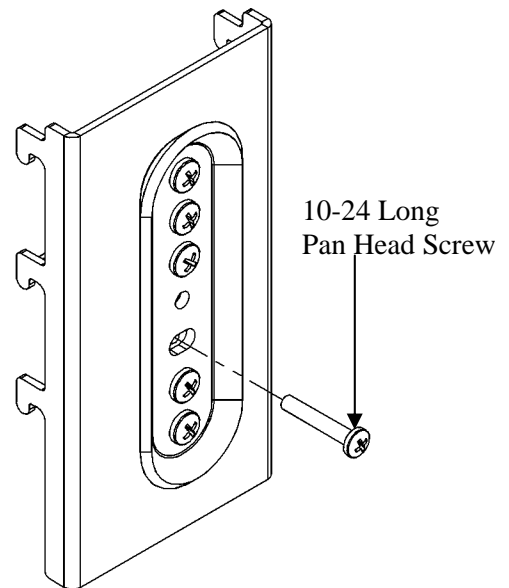


Figure 5