



INSTALLATION INSTRUCTIONS

OFB-139 TILE ASSEMBLY ADAPTER BRACKET

Prior to assembly, unpack carton completely and verify contents.

If you are missing any of the following components, please contact Customer Service at 1-800/582-6480

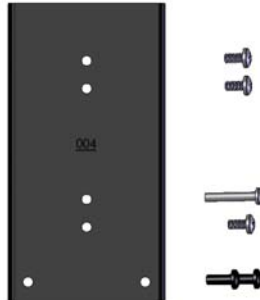


Figure 1

- (1) Adapter Bracket
- (1) Screw, Pan Head, 10-24, Long

- (3) Screw, Pan Head, 10-24, Short
- (2) Screw, Pan Head, 10-24, Black

BEFORE PROCEEDING, READ INSTALLATION INSTRUCTIONS COMPLETELY

NOTE: Suggested tool includes a magnetic screwdriver.

1. Secure the adapter bracket; with the tabs facing down, to the mounting bracket (supplied with your mounting assembly) by installing three short 10-24 pan head screws (see Figure 2).
2. Install the adapter bracket in slots of the office furniture, tabs facing down, at desired location and push down until seated.
3. Secure adapter bracket in place by installing the long 10-24 pan head screw (see Figure 3). Screw must fit into office furniture slot. If screws do not fit into slot, the adapter bracket is not properly seated.

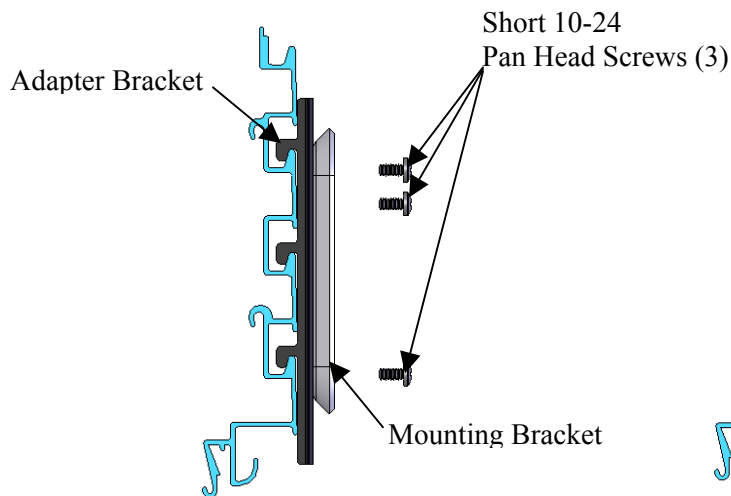


Figure 2

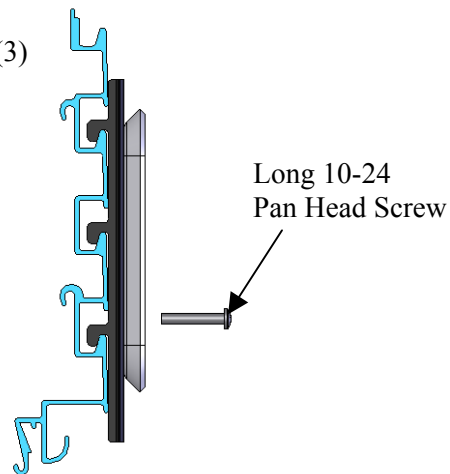


Figure 3

4. Install two 10-24 black pan head screws at bottom of adapter bracket (see Figure 4).
5. Install your mount as described in the directions accompanying your mount.

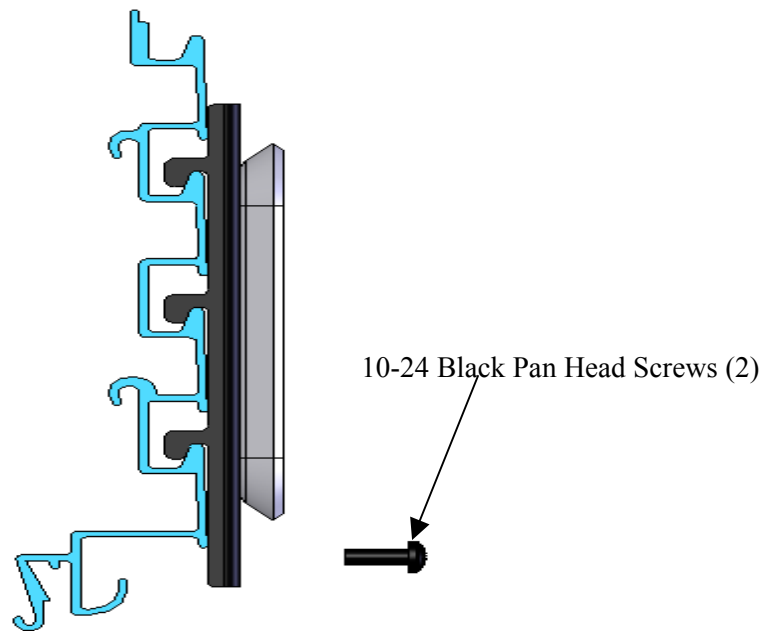


Figure 4