



INSTALLATION INSTRUCTIONS

# OFB-144, OFB-147, OFB-149, and OFB-150

## WALL TRACK ADAPTER BRACKET

Prior to assembly, unpack carton completely and verify contents.  
If you are missing any of the following components, please contact Customer Service at 1-800/582-6480

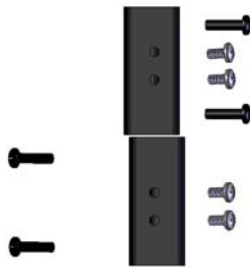


Figure 1

(2) Adapter Bracket

(4) Screw, pan head, 10-24

(4) Screw, pan head, 10-24, Black

### BEFORE PROCEEDING, READ INSTALLATION INSTRUCTIONS COMPLETELY

NOTE: Suggested tools include a magnetic screwdriver and a small hammer.

NOTE: Inserting adapter bracket into slots may require tapping it into place with a small hammer.

1. Insert one adapter bracket, tabs facing down, into office furniture equipment mounting slots at desired height (see Figure 2).
2. Secure the remaining adapter bracket; with the tabs facing up, to the lower two holes in the mounting bracket (supplied with your mounting assembly) by loosely installing two 10-24 pan head screws and slide the adapter bracket into mounting slots just below installed adapter bracket (see Figure 3).

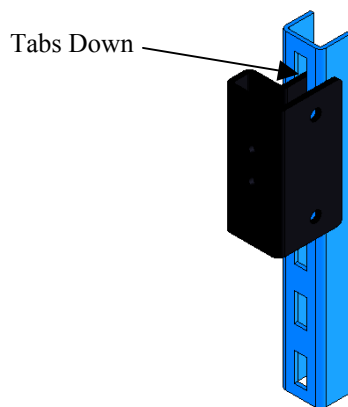


Figure 2

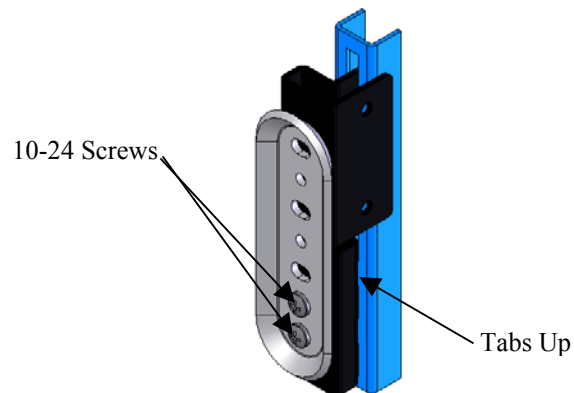


Figure 3

3. Secure the mounting bracket to the upper adapter bracket using two 10-24 pan head screws (see Figure 4).
4. Tighten two 10-24 pan head screws installed in Step 2.

NOTE: Holes in the mounting bracket supplied with your mounting assembly should align with two threaded holes in the installed adapter bracket. If holes do not align, adapter brackets are not seated and must be tapped further into place.

5. Install four 10-24 black pan head screws to secure brackets (see Figure 5).
6. Install your mount as described in the directions accompanying your mount.

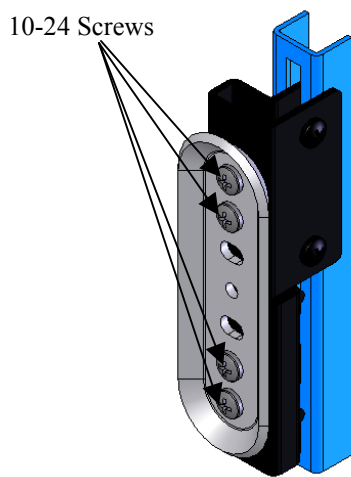


Figure 4

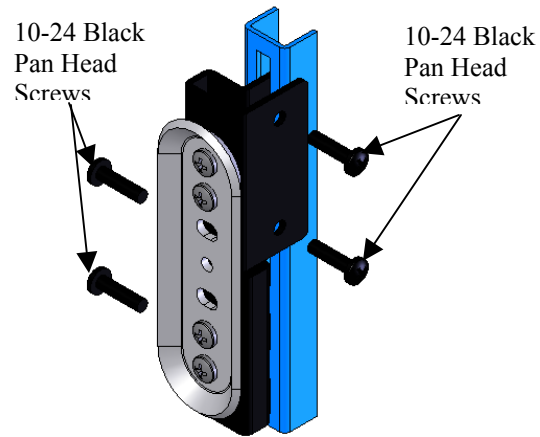


Figure 5