



INSTALLATION INSTRUCTIONS

OFB-161

TILE ASSEMBLY ADAPTER BRACKET

Prior to assembly, unpack carton completely and verify contents.

If you are missing any of the following components, please contact Customer Service at 1-800/582-6480

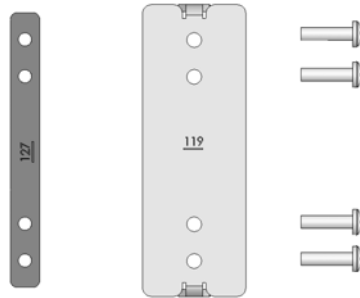


Figure 1

- (1) Adapter Bracket
- (1) Locking Plate

- (4) Screw, pan head, 10-24

BEFORE PROCEEDING, READ INSTALLATION INSTRUCTIONS COMPLETELY

NOTE: Suggested tool includes a magnetic screwdriver.

1. Attach the mounting bracket (supplied with your mounting assembly) and adapter bracket loosely on the locking plate, threading the 10-24 pan head screws in until they are just flush with the back of the locking plate (see Figure 2).
2. Slide the locking plate, with mounting bracket attached, into panel slot to desired height (see Figure 3).

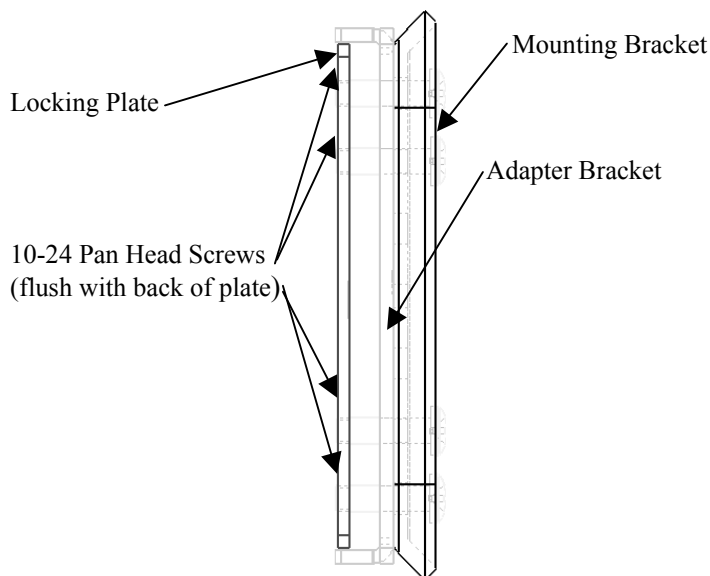


Figure 2

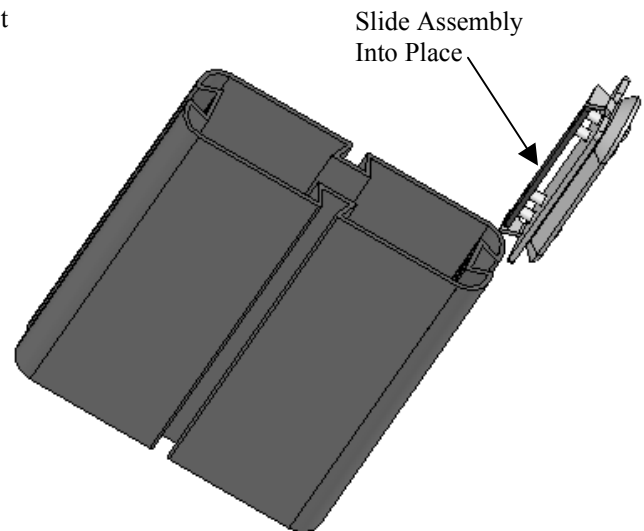


Figure 3

3. Tighten the bottom 10-24 pan head screw (see Figure 4).
4. Tighten the remaining three screws.
5. Install your mount as described in the directions accompanying your mount.

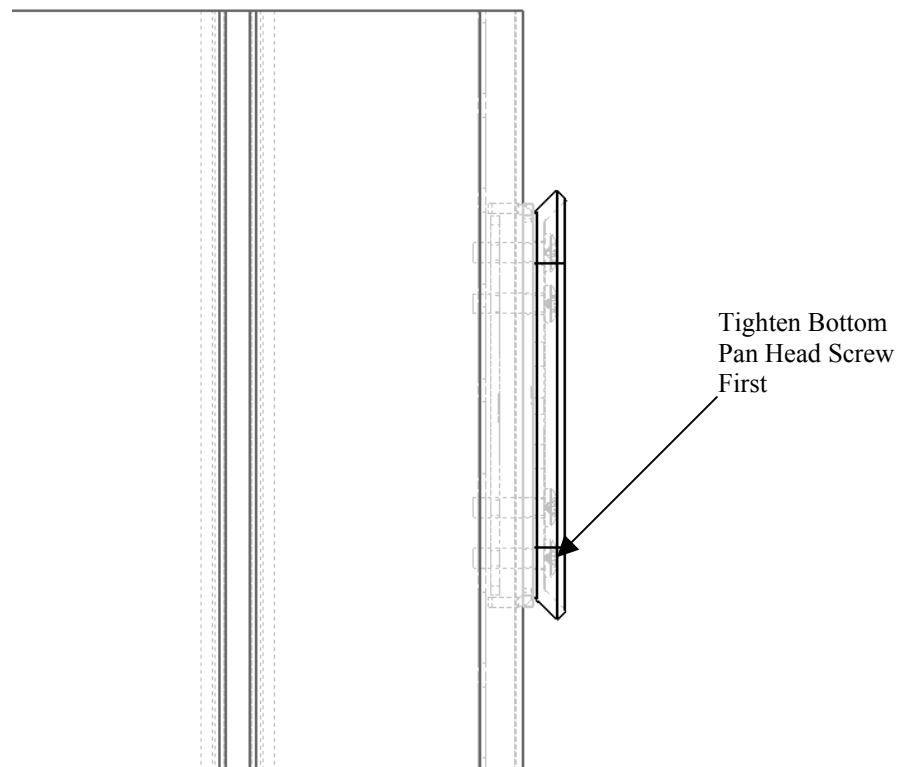


Figure 4