



INSTALLATION INSTRUCTIONS

OFB-164

HON ADAPTER BRACKET

Prior to assembly, unpack carton completely and verify contents.

If you are missing any of the following components, please contact Customer Service at 1-800/582-6480

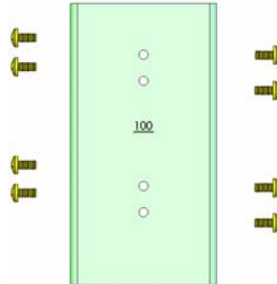


Figure 1

(1) Adapter Bracket

(8) Screw, Pan Head, 10-24

BEFORE PROCEEDING, READ INSTALLATION INSTRUCTIONS COMPLETELY

1. Remove the end cap from one end of the office furniture.
2. Install the mounting bracket (supplied with your mounting assembly) on the adapter bracket and secure using four 10-24 pan head screws (see Figure 2).
3. Slide the adapter bracket onto the bars of the office furniture (see Figure 3) to desired location and secure using four 10-24 24 pan head screws (see Figure 4). Screws must fit snugly against office furniture bars.
4. Install the end cap removed during Step 1 on the end of the office furniture.

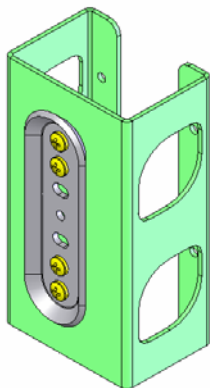


Figure 2

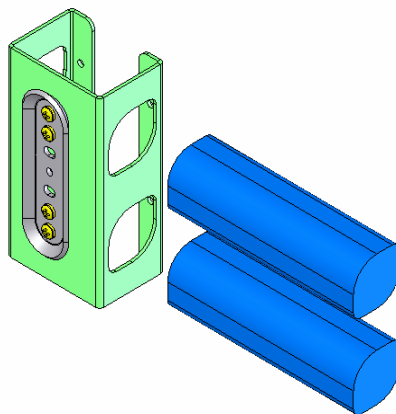


Figure 3

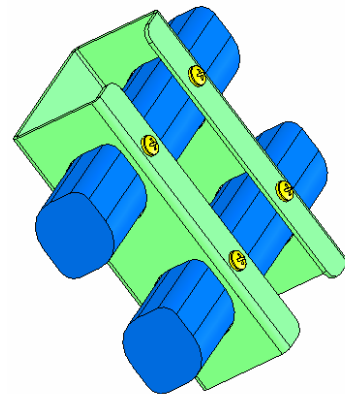


Figure 4