



INSTALLATION INSTRUCTIONS

OFB-167

TOOL BAR BRACKET

Prior to assembly, unpack carton completely and verify contents.

If you are missing any of the following components, please contact Customer Service at 1-800/582-6480

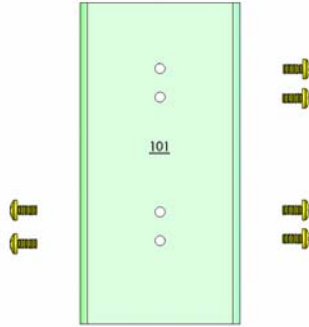


Figure 1

(1) Adapter Bracket

(6) Screw, Pan Head, 10-24

BEFORE PROCEEDING, READ INSTALLATION INSTRUCTIONS COMPLETELY

1. Install the mounting bracket (supplied with your mounting assembly) on the adapter bracket and secure using four 10-24 pan head screws (see Figure 2).
2. Slide the adapter bracket onto the bar of the office furniture (see Figure 3) to desired location and secure using two 10-24 pan head screws (see Figure 4).

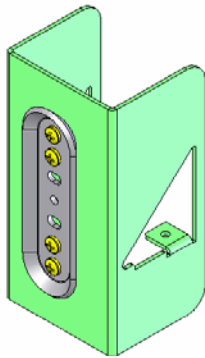


Figure 2

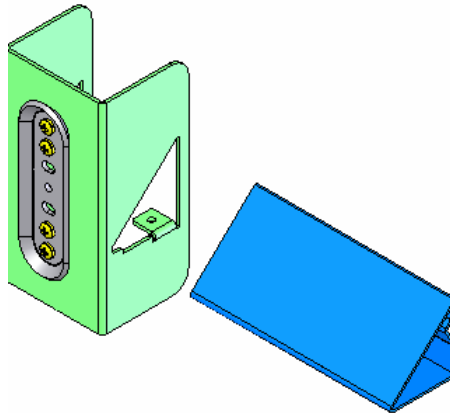


Figure 3

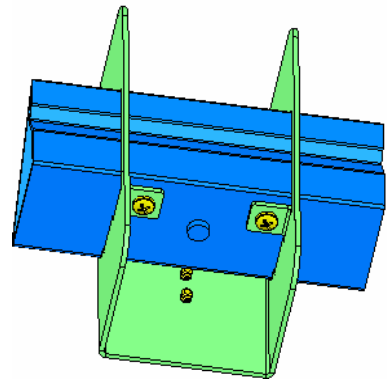


Figure 4