



INSTALLATION INSTRUCTIONS

OFB-168 UNIVERSAL FLAT WALL MOUNT

Prior to assembly, unpack carton completely and verify contents.

If you are missing any of the following components, please contact Customer Service at 1-800/582-6480

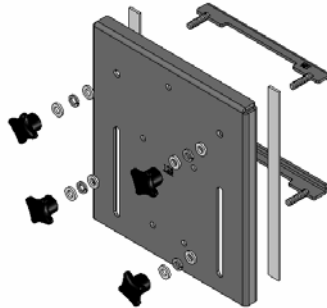


Figure 1

- | | |
|---------------------|-----------------|
| (1) Adapter Bracket | (4) Knob |
| (5) M4 x 8mm Screw | (4) Lock Washer |
| (2) Clamp Bracket | (8) Flat Washer |
| | (2) Pad |

BEFORE PROCEEDING, READ INSTALLATION INSTRUCTIONS COMPLETELY

1. Secure the mount to the plate bracket using five pan head screws (see Figure 2).
2. Loosen knobs of brackets.
3. Install the adapter brackets in the grooves of the slat wall, positioning the brackets as far apart as possible (see Figure 3). For some slat walls, the bottom bracket may need to be removed and reattached facing down.
4. Secure adapter bracket in place by tightening knobs.

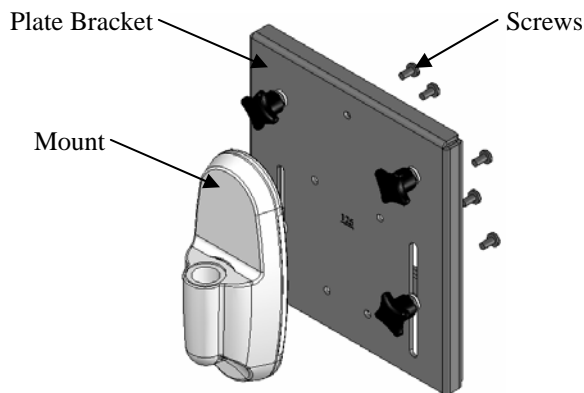


Figure 2

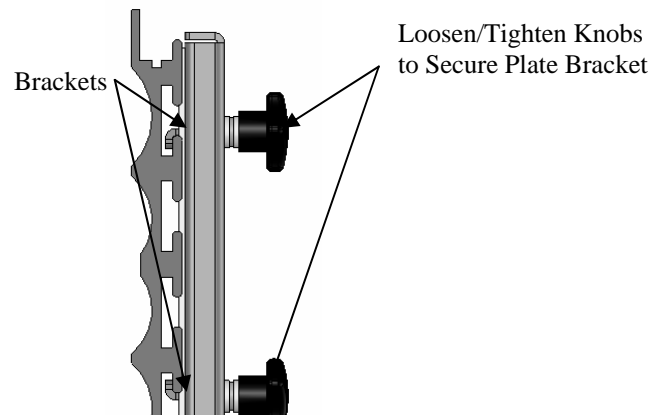


Figure 3