



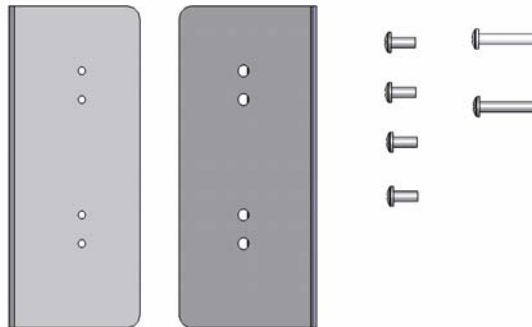
INSTALLATION INSTRUCTIONS

OFB-182

PANEL-TO-PANEL MOUNT ADAPTER BRACKET

Prior to assembly, unpack carton completely and verify contents.

If you are missing any of the following components, please contact Customer Service at 1-800/582-6480



- (1) Adapter Bracket, Right (Through Holes) Figure 1
(1) Adapter Bracket, Left (Tapped Holes)
(1) Screw, Pan Head, Nylon, Long
(4) Screw, Pan Head, 10-24, Short
(1) Screw, Pan Head, 10-24, Long

BEFORE PROCEEDING, READ INSTALLATION INSTRUCTIONS COMPLETELY

NOTE: Suggested tools include a magnetic screwdriver and a small hammer.

NOTE: Inserting adapter bracket into slots may require tapping it into place with a small hammer.

1. Insert the left adapter bracket; tabs facing down, into the office furniture equipment mounting slots at desired height (see Figure 2).
2. Insert the right adapter bracket, tabs facing up, into slots of office furniture equipment and slide the adapter bracket up until mounting holes align (see Figure 2).

NOTE: Holes in the mounting bracket supplied with your mounting assembly should align with the threaded holes in the installed adapter brackets. If holes do not align, adapter brackets are not seated and must be tapped further into place.

3. Secure the mounting bracket (supplied with your mounting assembly) by installing four short 10-24 pan head screws (see Figure 3 and Figure 4).

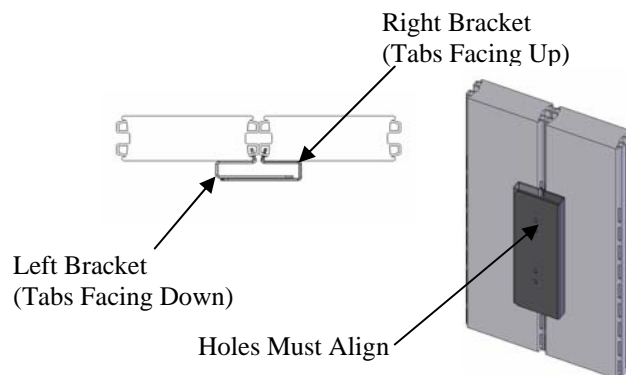


Figure 2

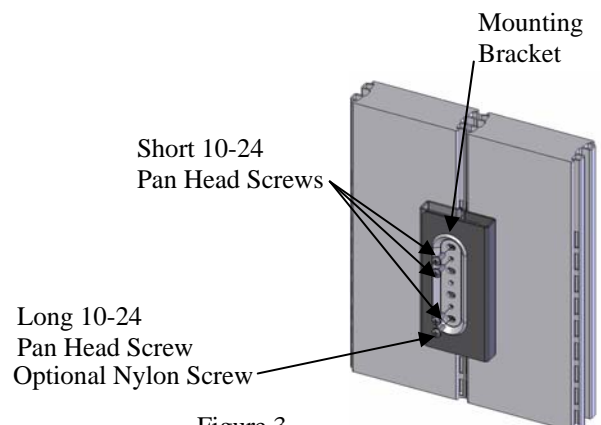


Figure 3

NOTE: Using the long steel screw has the potential to leave a permanent mark on the office furniture. Using a Nylon screw will eliminate this possibility.

4. If desired, replace one short screw with one long screw to make mount more rigid (see Figure 4).
5. Replace long 10-24 pan head screw with Nylon screw (provided) to prevent furniture paint damage if necessary, being careful not to over tighten Nylon screw.
6. Install your mount as described in the directions accompanying your mount.

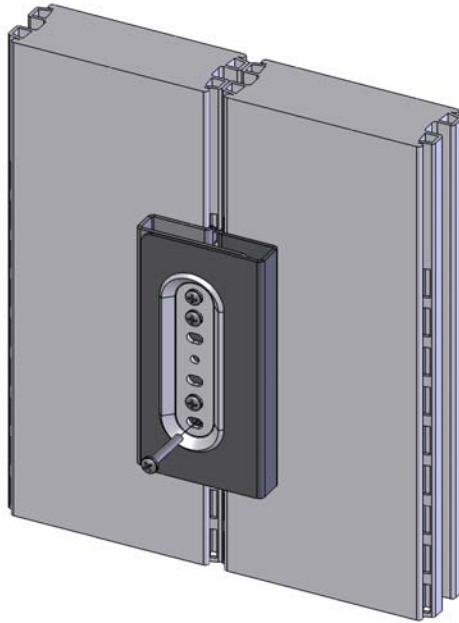


Figure 4