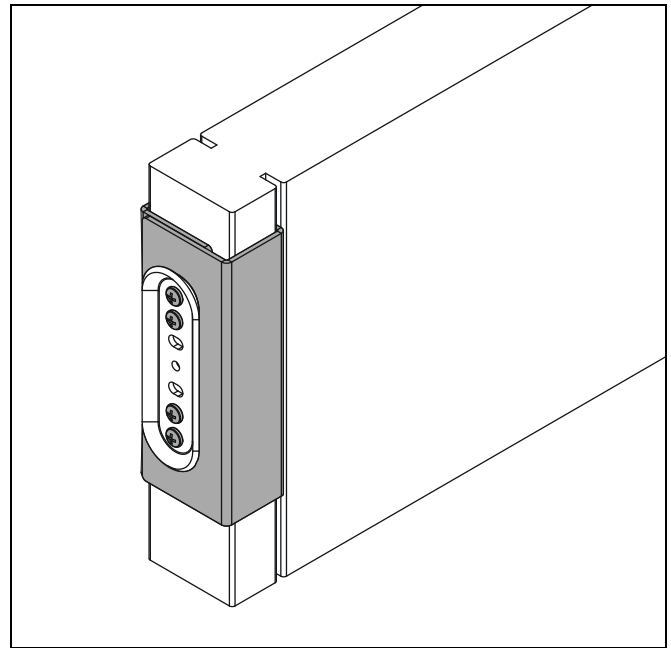

INSTALLATION INSTRUCTIONS

Office Furniture End Bracket

Model: OFB-193

Specifications:

- Designed for installation of Chief wall mount on end of AllSteel office furniture wall ("Concensys" series).



OFB-193
(Shown with wall mount bracket installed)

BEFORE YOU BEGIN



WARNING: It is the installer's responsibility to make sure all components are properly assembled and installed using the instructions provided. Failure to read, thoroughly understand, and follow all instructions can result in serious personal injury, damage to equipment, or voiding of factory warranty.

- If you have any questions about these instructions or your specific installation, contact Chief Manufacturing at 1-800-582-6480 or 952-894-6280.



IMPORTANT WARNINGS AND CAUTIONS!

WARNING: A WARNING alerts you to the possibility of serious injury or death if you do not follow the instructions.

CAUTION: A CAUTION alerts you to the possibility of damage or destruction of equipment if you do not follow the corresponding instructions.

TOOLS REQUIRED FOR INSTALLATION

- #2 Phillips Screwdriver
- Hammer

NOTE: Other tools may be required depending on your method of installation.

PARTS

After unpacking carton, inspect and verify contents (See Figure 1). If any listed parts are missing or damaged, contact Chief Customer Service at 1-800-582-6480.

Table 1: Parts

Item	Description	Qty
10	BRACKET, Inner (threaded fastener holes)	1
20	BRACKET, Outer (un-threaded fastener holes)	1
30	SCREW, Phillips Pan Machine, 10-24 x 3/8"	4
--	BRACKET, Wall Mount (provided with wall mount)	1

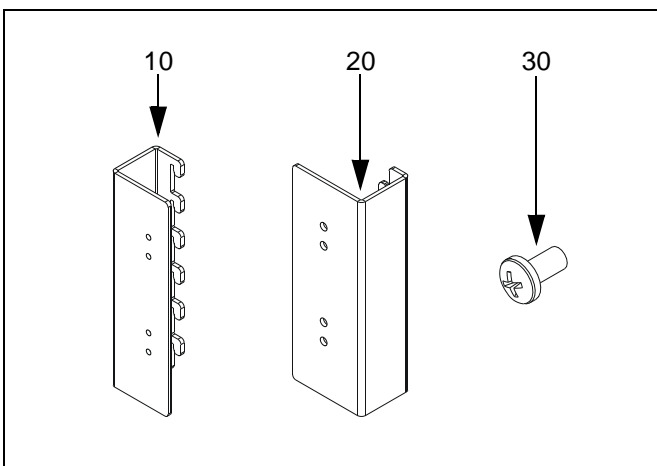


Figure 1: Parts

INSTALLATION

1. Insert tabs of bracket (10; with *threaded* fastener holes) into office furniture mounting slots at desired height (See Figure 2). Carefully tap into place with hammer so that tabs fully engage mounting slots.

NOTE: Bracket (10) may be mounted on either left or right side of wall.

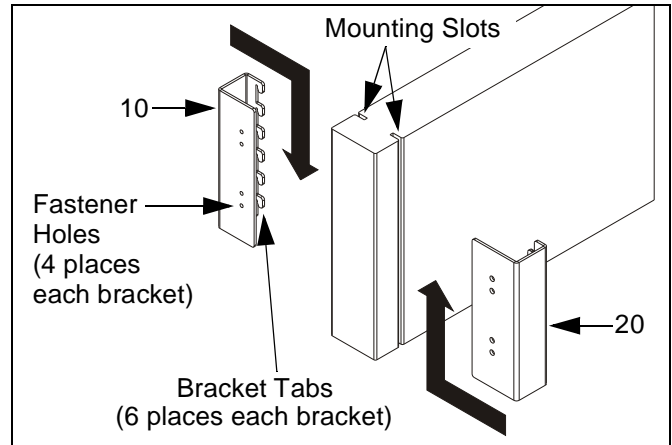


Figure 2: Install OFB-193 Brackets

2. Insert tabs of bracket (20) into opposite side office furniture mounting slots at corresponding height of bracket (10). Carefully tap into place with hammer until fastener holes in bracket (20) line up with fastener holes in bracket (10).

NOTE: Tabs on bracket (20) will be oriented opposite of tabs on bracket (10).

3. Using Phillips screwdriver, install screws (30) through wall mount bracket and bracket (20) into threaded holes of bracket (10) (See Figure 3). Tighten securely.

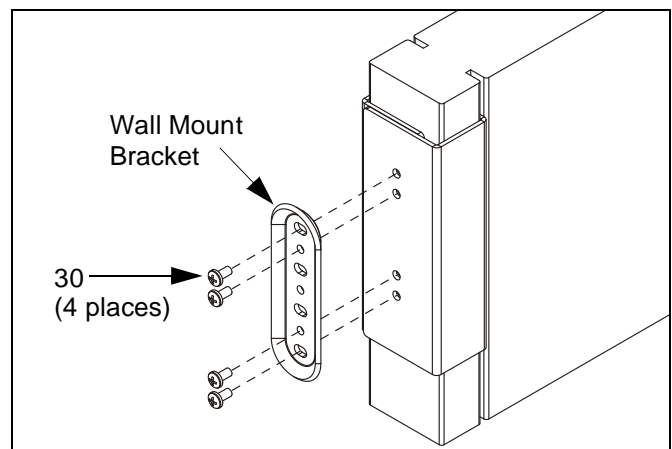


Figure 3: Install Wall Mount Bracket

4. Continue with wall mount installation. See instructions provided with wall mount.