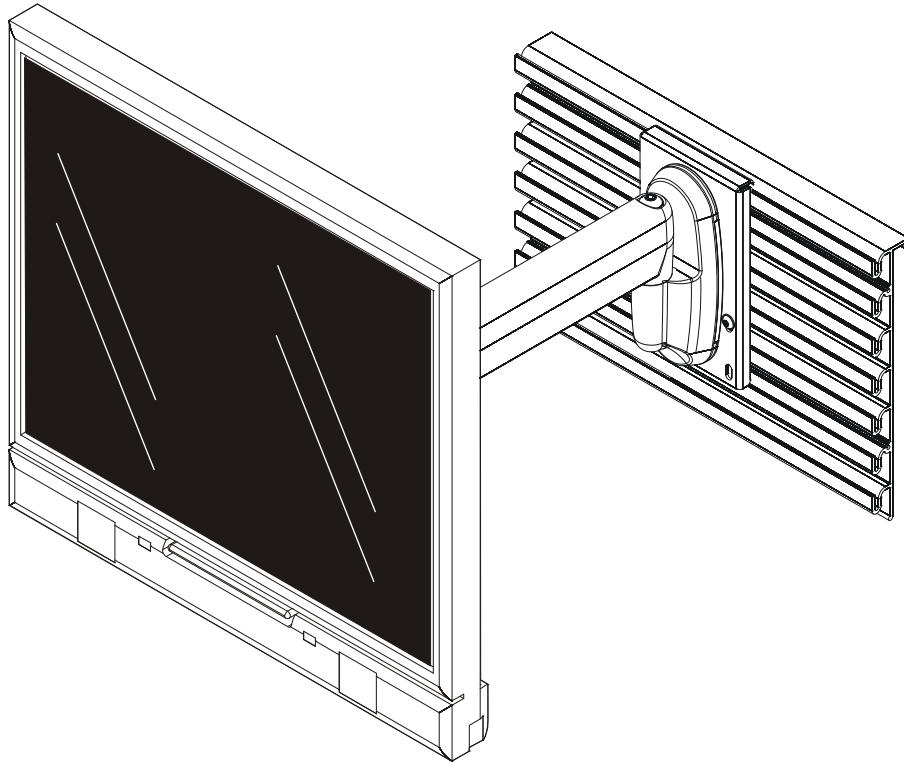


---

# INSTALLATION INSTRUCTIONS

---



---

## Office Furniture Bracket

---

## DISCLAIMER

Milestone AV Technologies, Inc., and its affiliated corporations and subsidiaries (collectively, "Milestone"), intend to make this manual accurate and complete. However, Milestone makes no claim that the information contained herein covers all details, conditions or variations, nor does it provide for every possible contingency in connection with the installation or use of this product. The information contained in this document is subject to change without notice or obligation of any kind. Milestone makes no representation of warranty, expressed or implied, regarding the information contained herein. Milestone assumes no responsibility for accuracy, completeness or sufficiency of the information contained in this document.

Chief® is a registered trademark of Milestone AV Technologies. All rights reserved.



## IMPORTANT WARNINGS AND CAUTIONS!



**WARNING:** A WARNING alerts you to the possibility of serious injury or death if you do not follow the instructions.



**CAUTION:** A CAUTION alerts you to the possibility of damage or destruction of equipment if you do not follow the corresponding instructions.



**WARNING:** Failure to read, thoroughly understand, and follow all instructions can result in serious personal injury, damage to equipment, or voiding of factory warranty! It is the installer's responsibility to make sure all components are properly assembled and installed using the instructions provided.

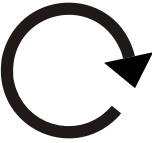



**WARNING:** Failure to provide adequate structural strength for this component can result in serious personal injury or damage to equipment! It is the installer's responsibility to make sure the structure to which this component is attached can support five times the combined weight of all equipment. Reinforce the structure as required before installing the component.

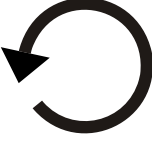



**WARNING:** Exceeding the weight capacity can result in serious personal injury or damage to equipment! It is the installer's responsibility to make sure the combined weight of all components attached to this accessory does not exceed 40 lbs (18.14 kg). DO NOT exceed the weight limitations of the mount being installed to the bracket or of the office furniture being used to mount the accessory.

**LEGEND**

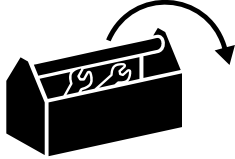
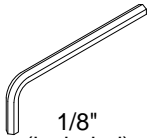

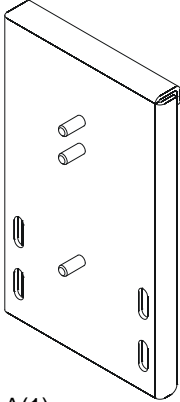
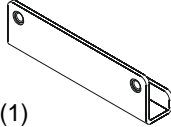

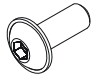

	<b>Tighten Fastener</b>
	Apretar elemento de fijación
	Befestigungsteil festziehen
	Apertar fixador
	Serrare il fissaggio
	Bevestiging vastdraaien
Serrez les fixations	

	<b>Open-Ended Wrench</b>
	Llave de boca
	Gabelschlüssel
	Chave de bocas
	Chiave a punte aperte
	Steeksleutel
Clé à fourche	

	<b>Loosen Fastener</b>
	Aflojar elemento de fijación
	Befestigungsteil lösen
	Desapertar fixador
	Allentare il fissaggio
	Bevestiging losdraaien
Desserrez les fixations	

	<b>Hex-Head Wrench</b>
	Llave de cabeza hexagonal
	Sechskantschlüssel
	Chave de cabeça sextavada
	Chiave esagonale
	Zeskantsleutel
Clé à tête hexagonale	

**TOOLS REQUIRED FOR INSTALLATION AND PARTS**

	 1/8" (included)
	<div style="display: flex; justify-content: space-around; align-items: center;"> <div style="text-align: center;">  A(1) [Main Plate]         </div> <div style="text-align: center;">  B(1) [Locking Plate]         </div> </div> <div style="display: flex; justify-content: space-around; margin-top: 20px;"> <div style="text-align: center;">  C(1) 1/8"         </div> <div style="text-align: center;">  D(2) #10-24 x 1/2"         </div> <div style="text-align: center;">  E(3) #10-24         </div> </div>

### Assembly And Installation

1. Determine whether to use upper or lower holes to attach OFB209 main plate (A) to locking plate (B). Use lower holes if possible for easier installation. If unable to attach using lower holes, use upper holes to attach plates. (See Figure 2)
2. Install two #10-24 x 1/2" button head flange screws (D) through appropriate holes in main plate (A) and two holes in locking plate (B). Do NOT tighten screws! (See Figure 1)

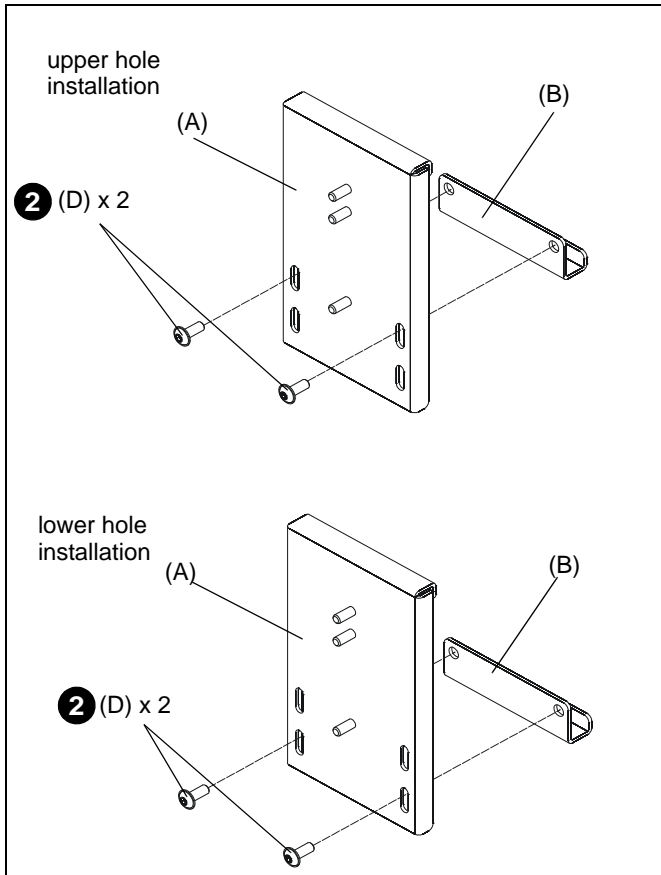


Figure 1

3. Hang top of main plate (A) over the top of wall track assembly. (See Figure 2)
4. Maneuver main plate (A) towards wall track accessory and latch locking plate under corresponding groove. Loosen screws (D) if necessary. (See Figure 2)
5. Tighten two screws (D) until main plate is secured to wall track accessory. (See Figure 2)

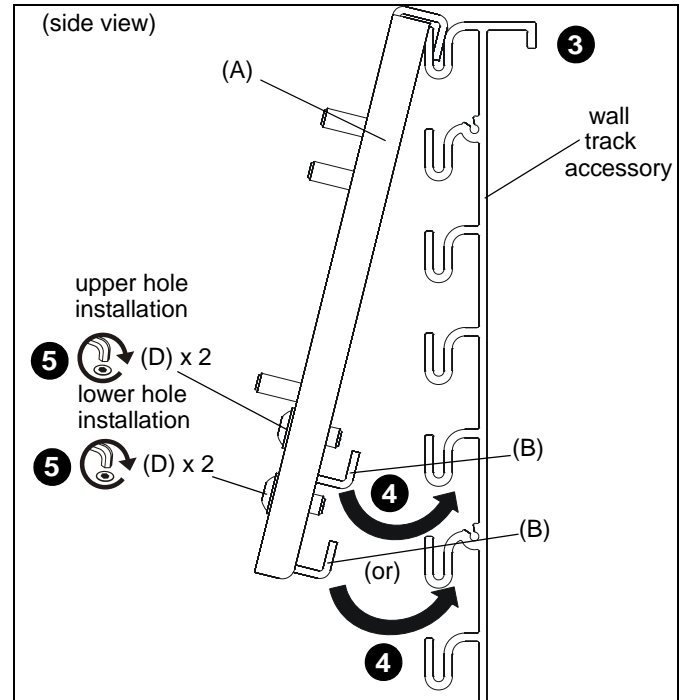


Figure 2

6. Place wall plate (not included) over three fixed screws on main plate (A). (See Figure 3)
7. Secure wall plate to main plate (A) by installing three #10-24 Nylock nuts (E) onto three fixed screws. (See Figure 3)

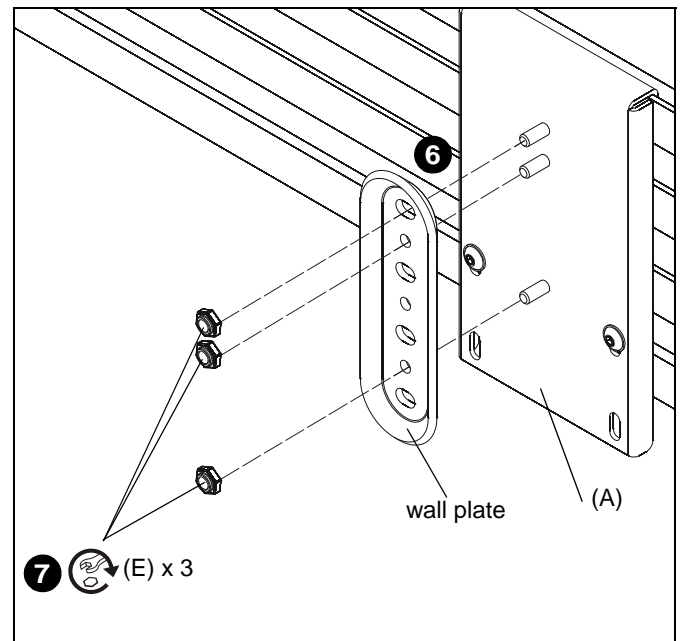


Figure 3

8. Continue with mount installation following the instructions provided with the mount.









Our Mounts. **Your Vision.**

Chief Manufacturing, a products division  
of Milestone AV Technologies

8812-002001 REV 00  
©2009 Milestone AV Technologies, a  
Duchossios Group Company  
[www.chiefmfg.com](http://www.chiefmfg.com)  
03/09

<b>USA/International</b>	<b>A</b> 8401 Eagle Creek Parkway, Savage, MN 55378 <b>P</b> 800.582.6480 / 952.894.6280 <b>F</b> 877.894.6918 / 952.894.6918
<b>Europe</b>	<b>A</b> Fellenoord 130 5611 ZB EINDHOVEN, The Netherlands <b>P</b> +31 (0)40 2668620 <b>F</b> +31 (0)40 2668615
<b>Asia Pacific</b>	<b>A</b> Room 24F, Block D, Lily YinDu International Building LuoGang, BuJi Town, Shenzhen, CHINA. <b>深圳市布吉罗岗村百合银都国际大厦D栋24F</b> <b>P</b> +86-755-8996 9226 <b>F</b> +86-755-8996 9217

