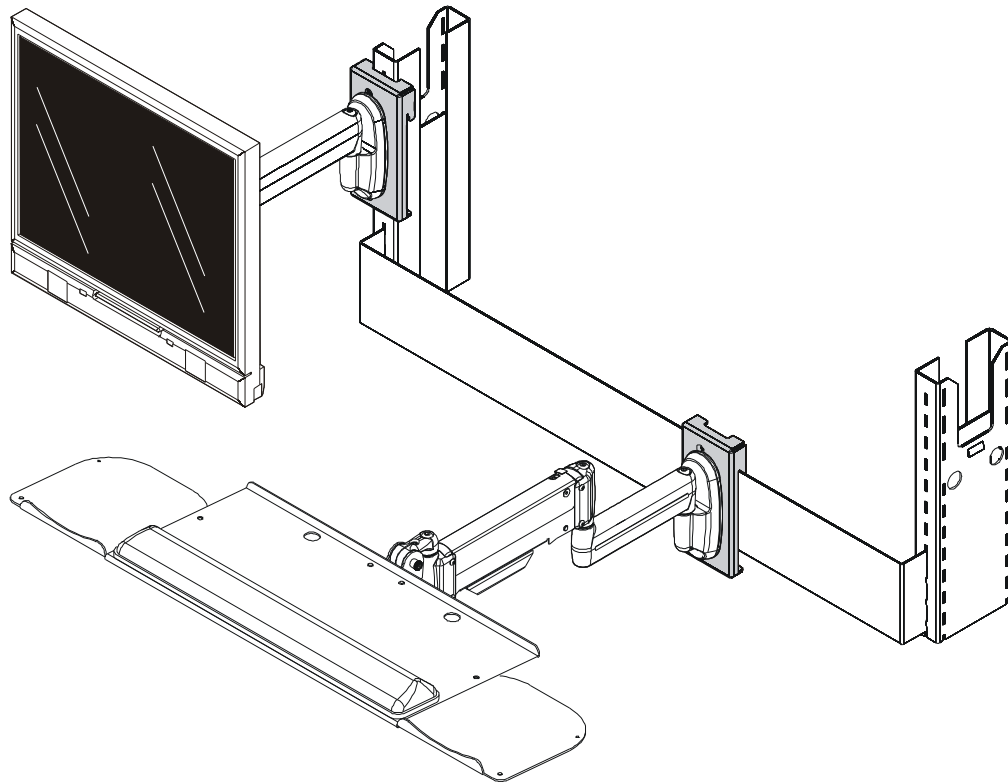

INSTALLATION INSTRUCTIONS



Office Furniture Bracket

DISCLAIMER

Milestone AV Technologies, Inc., and its affiliated corporations and subsidiaries (collectively, "Milestone"), intend to make this manual accurate and complete. However, Milestone makes no claim that the information contained herein covers all details, conditions or variations, nor does it provide for every possible contingency in connection with the installation or use of this product. The information contained in this document is subject to change without notice or obligation of any kind. Milestone makes no representation of warranty, expressed or implied, regarding the information contained herein. Milestone assumes no responsibility for accuracy, completeness or sufficiency of the information contained in this document.

Chief® is a registered trademark of Milestone AV Technologies. All rights reserved.



IMPORTANT WARNINGS AND CAUTIONS!



WARNING: A WARNING alerts you to the possibility of serious injury or death if you do not follow the instructions.



CAUTION: A CAUTION alerts you to the possibility of damage or destruction of equipment if you do not follow the corresponding instructions.



WARNING: Failure to read, thoroughly understand, and follow all instructions can result in serious personal injury, damage to equipment, or voiding of factory warranty! It is the installer's responsibility to make sure all components are properly assembled and installed using the instructions provided.

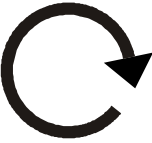



WARNING: Failure to provide adequate structural strength for this component can result in serious personal injury or damage to equipment! It is the installer's responsibility to make sure the structure to which this component is attached can support five times the combined weight of all equipment. Reinforce the structure as required before installing the component.





WARNING: Exceeding the weight capacity can result in serious personal injury or damage to equipment! It is the installer's responsibility to make sure the combined weight of all components attached to this accessory does not exceed 20 lbs (9.07 kg). DO NOT exceed the weight limitations of the mount being installed to the bracket or of the office furniture being used to mount the accessory.

LEGEND





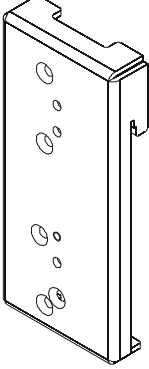
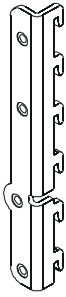
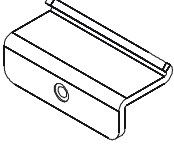
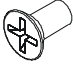
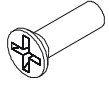
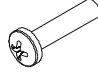


	Tighten Fastener
	Apretar elemento de fijación
	Befestigungsteil festziehen
	Apertar fixador
	Serrare il fissaggio
	Bevestiging vastdraaien
Serrez les fixations	

	Open-Ended Wrench
	Llave de boca
	Gabelschlüssel
	Chave de bocas
	Chiave a punte aperte
	Steeksleutel
Clé à fourche	

	Loosen Fastener
	Aflojar elemento de fijación
	Befestigungsteil lösen
	Desapertar fixador
	Allentare il fissaggio
	Bevestiging losdraaien
Desserrez les fixations	

	Phillips Screwdriver
	Destornillador Phillips
	Kreuzschlitzschraubendreher
	Chave de fendas Phillips
	Cacciavite a stella
	Kruiskopschroevendraaier
Tournevis à pointe cruciforme	

TOOLS REQUIRED FOR INSTALLATION AND PARTS

	 #2	 3/8"		
	 A(1) [main bracket]	 B(1) [vertical hooks bracket]	 C(1) [horizontal hooks bracket]	
 D(4) #10-24 x 3/8"	 E(1) #10-24 x 5/8"	 F(1) #8-32 x 3/4"	 G(3) #10-24"	 H(3) #10

Assembly And Installation



WARNING: Exceeding the weight capacity can result in serious personal injury or damage to equipment! It is the installer's responsibility to make sure the combined weight of all components attached to this accessory does not exceed 20 lbs (9.07 kg). DO NOT exceed the weight limitations of the mount being installed to the bracket or of the office furniture being used to mount the accessory.

Installation onto a Vertical Bracket

1. Install vertical hooks bracket (B) into vertical bracket at desired mounting height. (See Figure 1)

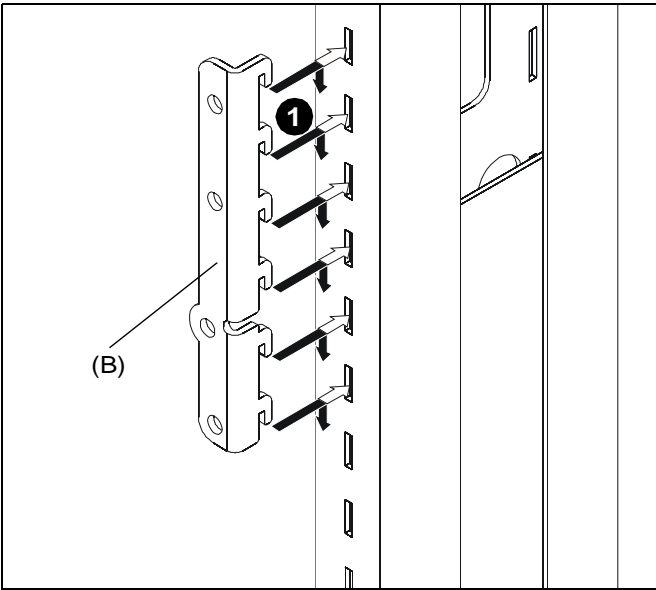


Figure 1

2. Secure main bracket (A) to vertical hooks bracket (B) by installing four #10-24 x 5/8" Phillips flat head machine screws (D) through holes in both brackets. (See Figure 2)

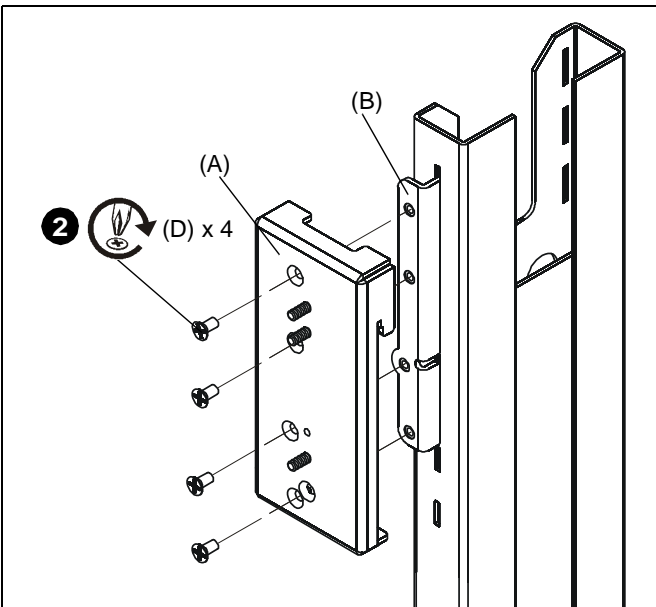


Figure 2

3. Secure wall plate (not included) to main bracket (A) by installing three #10-24 lock nuts (G) and three #10 washers (H) onto three permanent screws on main bracket. (See Figure 3)

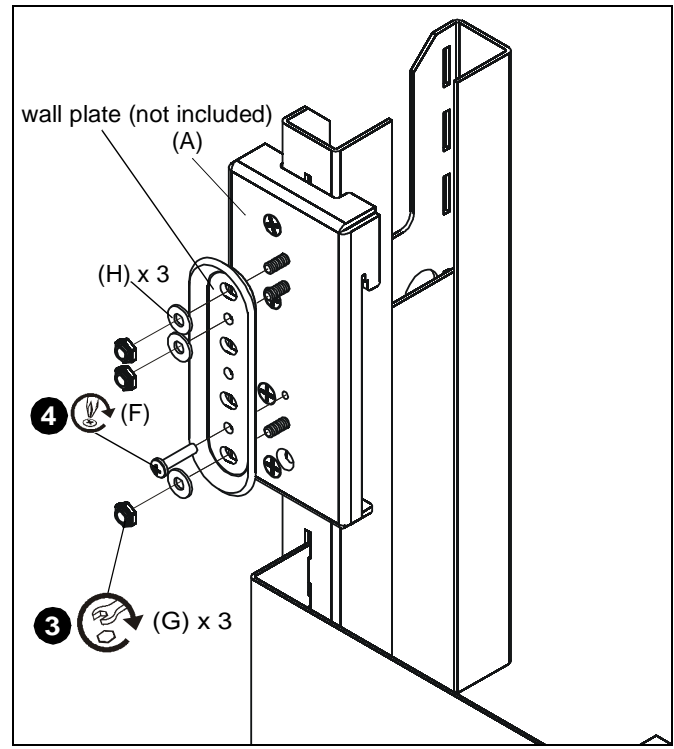


Figure 3

4. Install #8-32 x 3/4" Phillips pan machine screw (F) through wall plate, main bracket, groove on vertical hooks bracket and into vertical bracket. (See Figure 3)

NOTE: Installing the #8-32 x 3/4" screw (F) locks the OFB211 bracket to the vertical bracket.

5. Continue with mount installation following the installation instructions provided with the mount.

Installation onto a Horizontal Bracket

1. Hook main bracket onto horizontal bracket at desired mounting location.
2. Secure horizontal hooks bracket (C) to main bracket (A) by installing #10-24 x 5/8" Phillips head machine screw (E) through holes in both brackets. (See Figure 4)

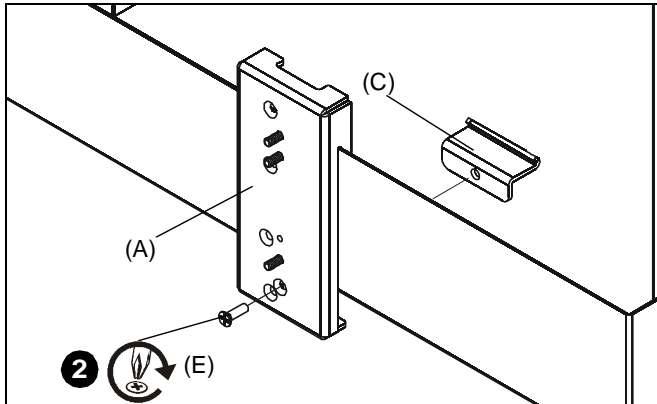


Figure 4

3. Secure wall plate (not included) to main bracket (A) by installing three #10-24 lock nuts (G) and three #10 washers (H) onto three permanent screws on main bracket. (See Figure 5)

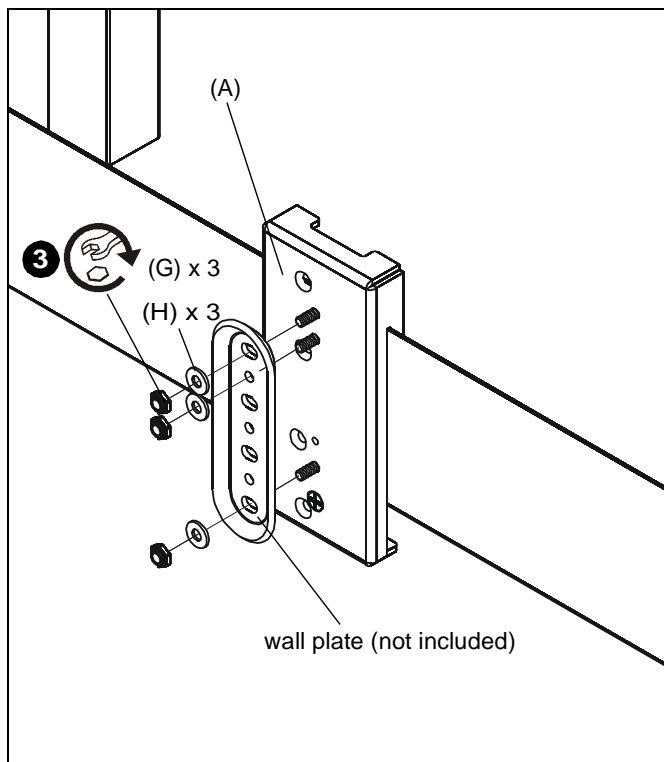


Figure 5

4. Continue with mount installation following the installation instructions provided with the mount.



Our Mounts. **Your Vision.**

Chief Manufacturing, a products division
of Milestone AV Technologies

8812-002003 REV 00

©2010 Milestone AV Technologies, a
Duchossios Group Company

www.chiefmfg.com

02/10

USA/International	A 8401 Eagle Creek Parkway, Savage, MN 55378
	P 800.582.6480 / 952.894.6280
	F 877.894.6918 / 952.894.6918
Europe	A Fellenoord 130 5611 ZB EINDHOVEN, The Netherlands
	P +31 (0)40 2668620
	F +31 (0)40 2668615
Asia Pacific	A Office No. 1 on 12/F, Shatin Galleria 18-24 Shan Mei Street Fotan, Shatin, Hong Kong
	P 852 2145 4099
	F 852 2145 4477

