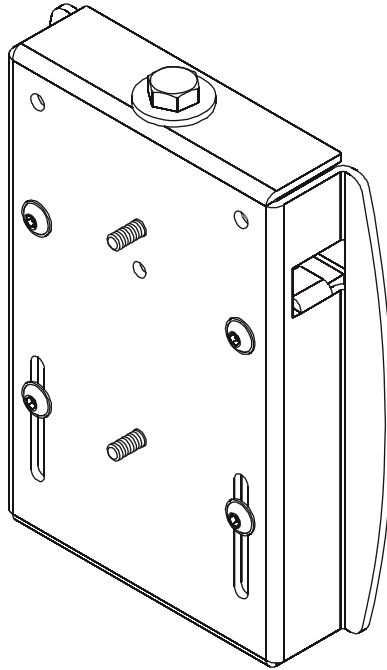

INSTALLATION INSTRUCTIONS



Office Furniture Bracket

DISCLAIMER

Milestone AV Technologies, Inc., and its affiliated corporations and subsidiaries (collectively, "Milestone"), intend to make this manual accurate and complete. However, Milestone makes no claim that the information contained herein covers all details, conditions or variations, nor does it provide for every possible contingency in connection with the installation or use of this product. The information contained in this document is subject to change without notice or obligation of any kind. Milestone makes no representation of warranty, expressed or implied, regarding the information contained herein. Milestone assumes no responsibility for accuracy, completeness or sufficiency of the information contained in this document.

Chief® is a registered trademark of Milestone AV Technologies. All rights reserved.

! IMPORTANT WARNINGS AND CAUTIONS!

! WARNING: A WARNING alerts you to the possibility of serious injury or death if you do not follow the instructions.

! CAUTION: A CAUTION alerts you to the possibility of


damage or destruction of equipment if you do not follow the corresponding instructions.


! WARNING: Failure to read, thoroughly understand, and follow all instructions can result in serious personal injury, damage to equipment, or voiding of factory warranty! It is the installer's responsibility to make sure all components are properly assembled and installed using the instructions provided.

! WARNING: Failure to provide adequate structural strength for this component can result in serious personal injury or damage to equipment! It is the installer's responsibility to make sure the structure to which this component is attached can support five times the combined weight of all equipment. Reinforce the structure as required before installing the component.


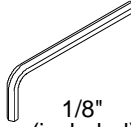

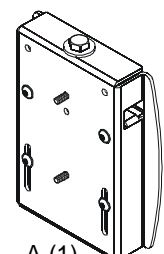

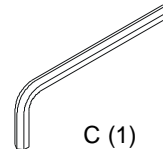
! WARNING: Exceeding the weight capacity can result in serious personal injury or damage to equipment! It is the installer's responsibility to make sure the combined weight of all components attached to this accessory does not exceed 40 lbs (18.14 kg). DO NOT exceed the weight limitations of the mount being installed to the bracket or of the office furniture being used to mount the accessory.

LEGEND

	Tighten Fastener
	Apretar elemento de fijación
	Befestigungsteil festziehen
	Apertar fixador
	Serrare il fissaggio
	Bevestiging vastdraaien
	Serrez les fixations

	Hex-Head Wrench
	Llave de cabeza hexagonal
	Sechskantschlüssel
	Chave de cabeça sextavada
	Chiave esagonale
	Zeskantsleutel
	Clé à tête hexagonale

REQUIRED TOOLS AND INCLUDED PARTS

		1/8" (included)
		A (1) [OFB bracket]
		B (2) #10-24"
		C (1) 1/8"

Assembly and Installation



WARNING: FAILURE TO PROVIDE ADEQUATE STRUCTURAL STRENGTH FOR THIS COMPONENT CAN RESULT IN SERIOUS PERSONAL INJURY OR DAMAGE TO EQUIPMENT! It is the installer's responsibility to make sure the structure to which this component is attached can support five times the combined weight of all equipment. Reinforce the structure as required before installing the component.

1. Verify mounting brackets on wall bracket (A) can move freely. (See Figure 1)

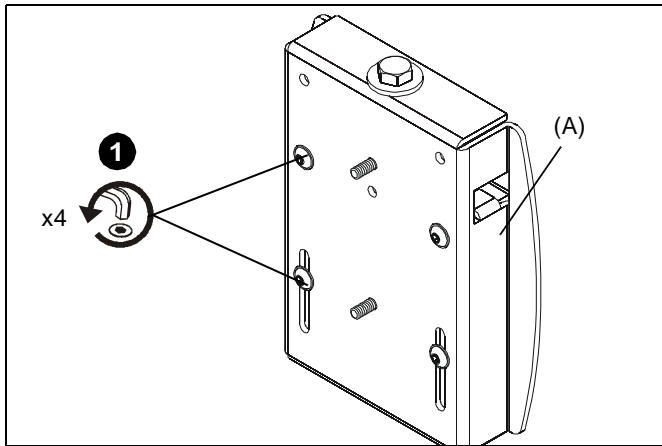


Figure 1

2. Locate desired installation location and slide upper mounting plate into wall making sure bracket is seated in channel bottom. (See Figure 2)
3. Let lower mounting plate rest against wall.
4. Using 1/2" socket, tighten tension screw until lower mounting plate slides into channel in wall and continue tightening until resistance is felt. (See Figure 2)

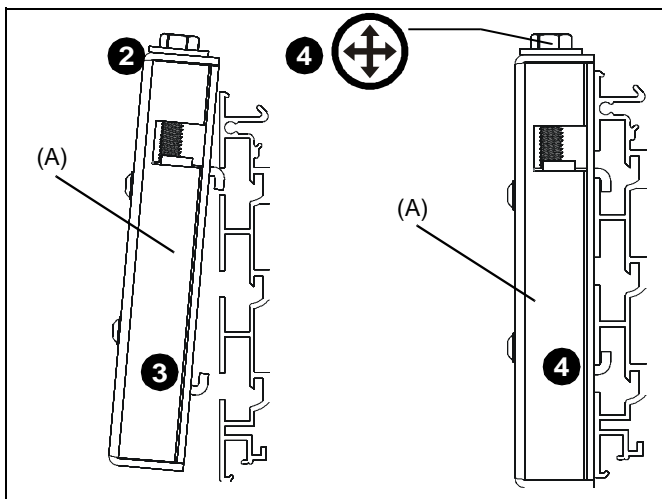


Figure 2

5. Install wall mount plate onto OFB212 bracket using two #10-24" lock nuts (B). (See Figure 3)

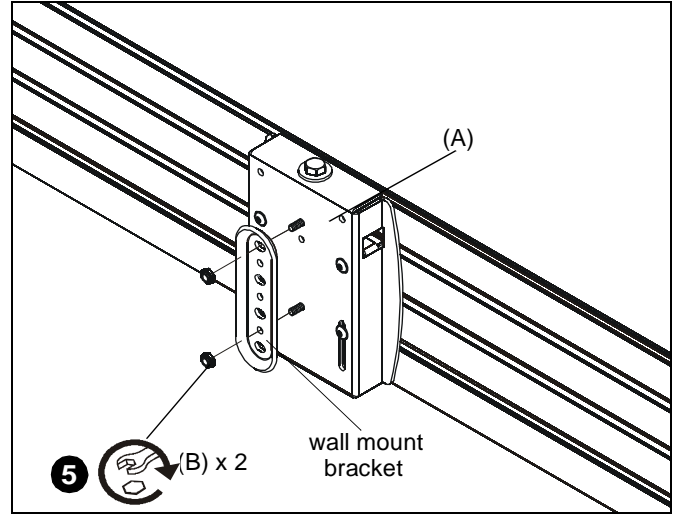


Figure 3

6. Tighten two upper and lower button head cap screws to secure wall bracket (A) to wall. (See Figure 4)

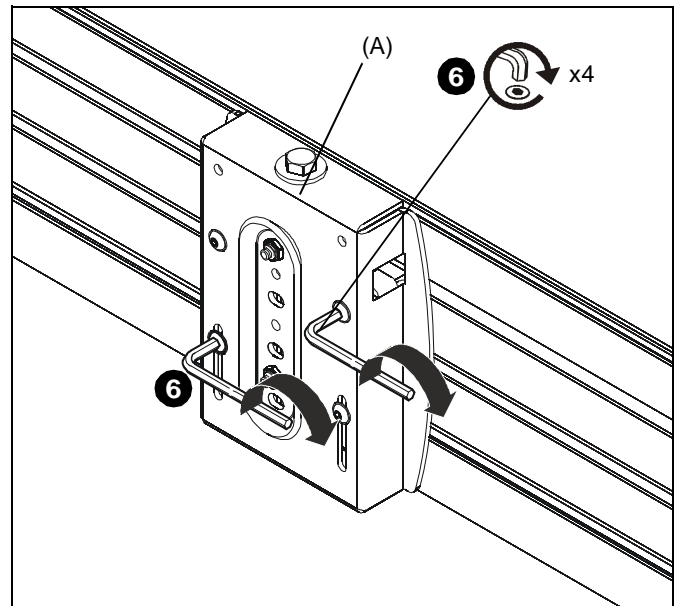


Figure 4

IMPORTANT ! : If the display being installed has a recessed mounting surface, the display must be assembled to the mount prior to mount installation. See *Display Installation* in the installation instructions included with the mount being installed.

7. Install mount to OFB212 following the instructions outlined in the installation instructions provided with the mount being installed.



Our Mounts. **Your Vision.**

Chief Manufacturing, a products division
of Milestone AV Technologies

8812-002004 REV 01

©2011 Milestone AV Technologies, a
Duchossios Group Company

www.chiefmfg.com

10/11

USA/International	A 8401 Eagle Creek Parkway, Savage, MN 55378
	P 800.582.6480 / 952.894.6280
	F 877.894.6918 / 952.894.6918
Europe	A Fellenoord 130 5611 ZB EINDHOVEN, The Netherlands
	P +31 (0)40 2668620
	F +31 (0)40 2668615
Asia Pacific	A Office No. 1 on 12/F, Shatin Galleria 18-24 Shan Mei Street Fotan, Shatin, Hong Kong
	P 852 2145 4099
	F 852 2145 4477

