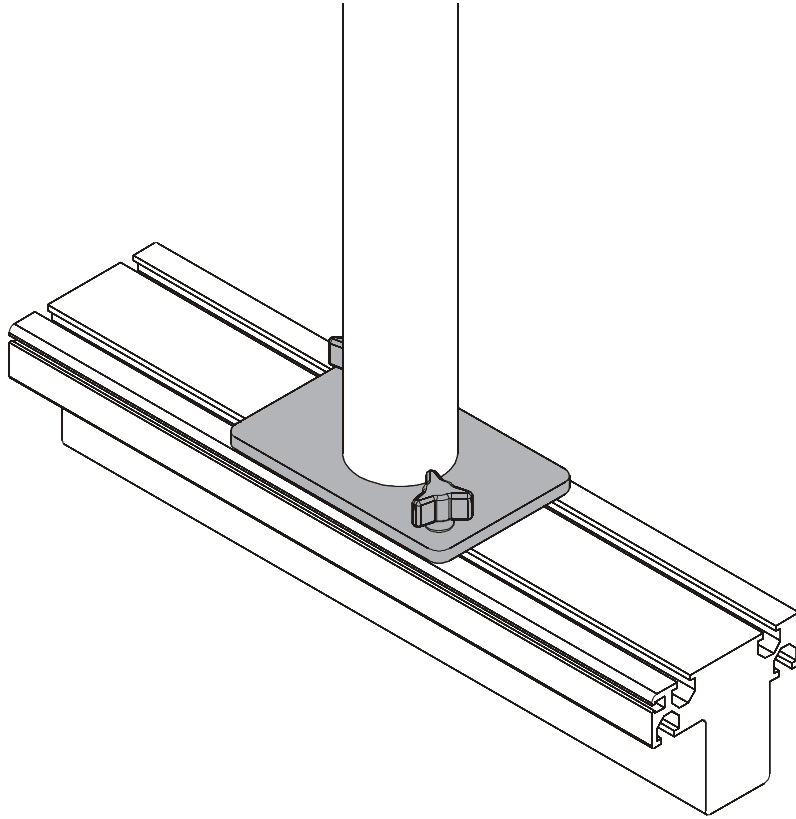

INSTALLATION INSTRUCTIONS



Office Furniture Bracket

DISCLAIMER

Milestone AV Technologies, Inc., and its affiliated corporations and subsidiaries (collectively, "Milestone"), intend to make this manual accurate and complete. However, Milestone makes no claim that the information contained herein covers all details, conditions or variations, nor does it provide for every possible contingency in connection with the installation or use of this product. The information contained in this document is subject to change without notice or obligation of any kind. Milestone makes no representation of warranty, expressed or implied, regarding the information contained herein. Milestone assumes no responsibility for accuracy, completeness or sufficiency of the information contained in this document.

Chief® and Kontour™ are registered trademarks of Milestone AV Technologies. All rights reserved.

! IMPORTANT WARNINGS AND CAUTIONS!

! WARNING: A WARNING alerts you to the possibility of serious injury or death if you do not follow the instructions.

! CAUTION: A CAUTION alerts you to the possibility of


damage or destruction of equipment if you do not follow the corresponding instructions.


! WARNING: Failure to read, thoroughly understand, and follow all instructions can result in serious personal injury, damage to equipment, or voiding of factory warranty! It is the installer's responsibility to make sure all components are properly assembled and installed using the instructions provided.

! WARNING: Failure to provide adequate structural strength for this component can result in serious personal injury or damage to equipment! It is the installer's responsibility to make sure the structure to which this component is attached can support five times the combined weight of all equipment. Reinforce the structure as required before installing the component.


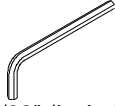
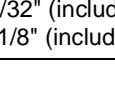

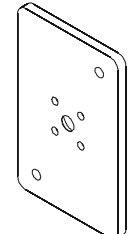



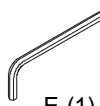

! WARNING: Exceeding the weight capacity can result in serious personal injury or damage to equipment! It is the installer's responsibility to make sure the combined weight of all components attached to this accessory does not exceed 50 lbs (22.68 kg). DO NOT exceed the weight limitations of the mount being installed to the bracket or of the office furniture being used to mount the accessory.

LEGEND

	Tighten Fastener
	Apretar elemento de fijación
	Befestigungsteil festziehen
	Apertar fixador
	Serrare il fissaggio
	Bevestiging vastdraaien
	Serrez les fixations

	Phillips Screwdriver
	Destornillador Phillips
	Kreuzschlitzschraubendreher
	Chave de fendas Phillips
	Cacciavite a stella
	Kruiskopschroevendraaier
	Tournevis à pointe cruciforme

REQUIRED TOOLS AND INCLUDED PARTS

	 7/32" (included)	 1/8" (included)					
	 A (1) [pole adapter]	 B (2) [knob screw]	 C (1) 3/8-16 x 1"	 D (2) 1/4-20"	 E (1) 7/32"	 F (1) 1/8"	

Assembly and Installation

Attach to Pole

Attaching Single Hole Pole Assembly

1. Secure pole adapter (A) to pole assembly using 3/8-16 x 1" flathead cap screw (C) and 7/32" hex key (E). (See Figure 1)

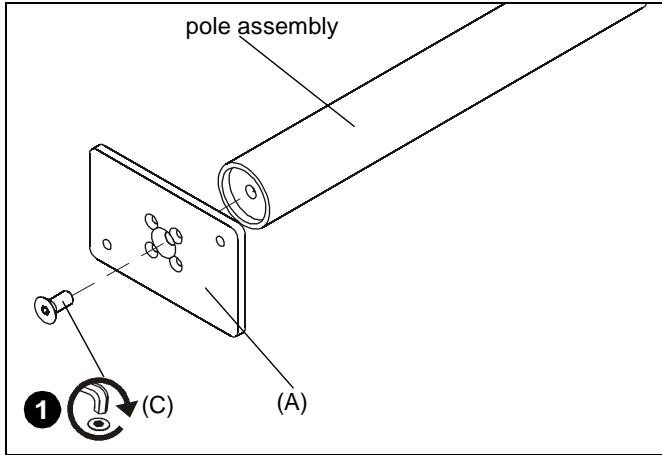


Figure 1

Attaching to Kontour™ Series Column Mount

1. Use 1/8" hex key (F) to remove desk clamp from mount by removing four flat head cap screws until clamp is disconnected from column. (See Figure 2)

NOTE: Lower portion of clamp may need to be lowered or removed in order to gain access to these screws.

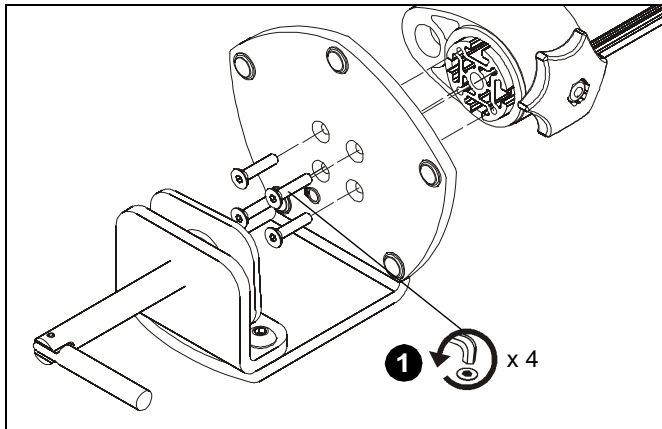


Figure 2

2. Use four screws removed in Step 1 to attach pole adapter (A) to column. (See Figure 3)

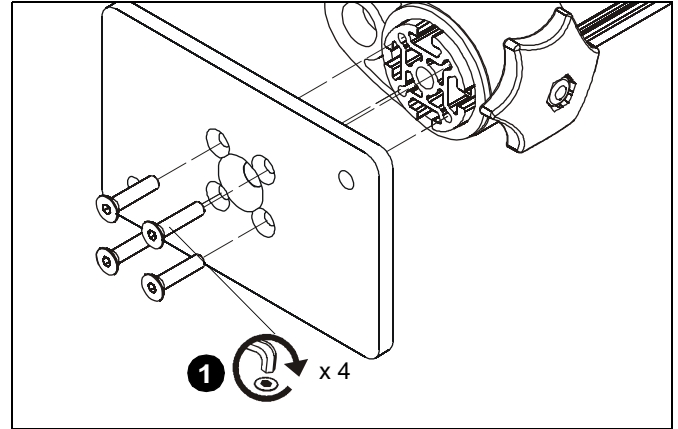


Figure 3

Attach to Wall Track Assembly

1. Slide two 1/4-20" square nuts (D) into wall track assembly at desired mounting location. (See Figure 4)
2. Secure pole adapter to wall track assembly by installing two knob screws (B) through holes on pole adapter (A) and into two 1/4-20" square nuts (D). (See Figure 4)



WARNING: Exceeding the weight capacity can result in serious personal injury or damage to equipment! It is the installer's responsibility to make sure the combined weight of all components attached to this accessory does not exceed 50 lbs (22.68 kg). DO NOT exceed the weight limitations of the mount being installed to the bracket or of the office furniture being used to mount the accessory.

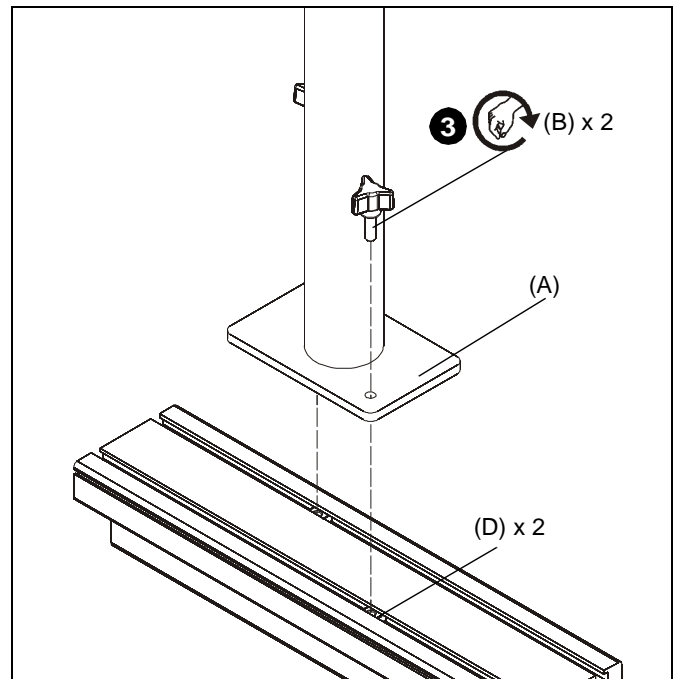


Figure 4

3. Continue with mount installation, following the instructions provided with the mount.



Our Mounts. **Your Vision.**

Chief Manufacturing, a products division
of Milestone AV Technologies

8812-002007 REV 00

©2011 Milestone AV Technologies, a
Duchossios Group Company

www.chiefmfg.com

03/11

USA/International	A 8401 Eagle Creek Parkway, Savage, MN 55378
	P 800.582.6480 / 952.894.6280
	F 877.894.6918 / 952.894.6918
Europe	A Fellenoord 130 5611 ZB EINDHOVEN, The Netherlands
	P +31 (0)40 2668620
	F +31 (0)40 2668615
Asia Pacific	A Office No. 1 on 12/F, Shatin Galleria 18-24 Shan Mei Street Fotan, Shatin, Hong Kong
	P 852 2145 4099
	F 852 2145 4477

